



T&S BRASS AND BRONZE WORKS, INC.

2 Saddleback Cove / P.O. Box 1088
Travelers Rest, SC 29690

Model No.

B-0171

Item No.

Travelers Rest, SC: 800-476-4103 • Simi Valley, CA: 800-423-0150 • Fax: 864-834-3518 • www.tsbrass.com

This Space for Architect/Engineer Approval

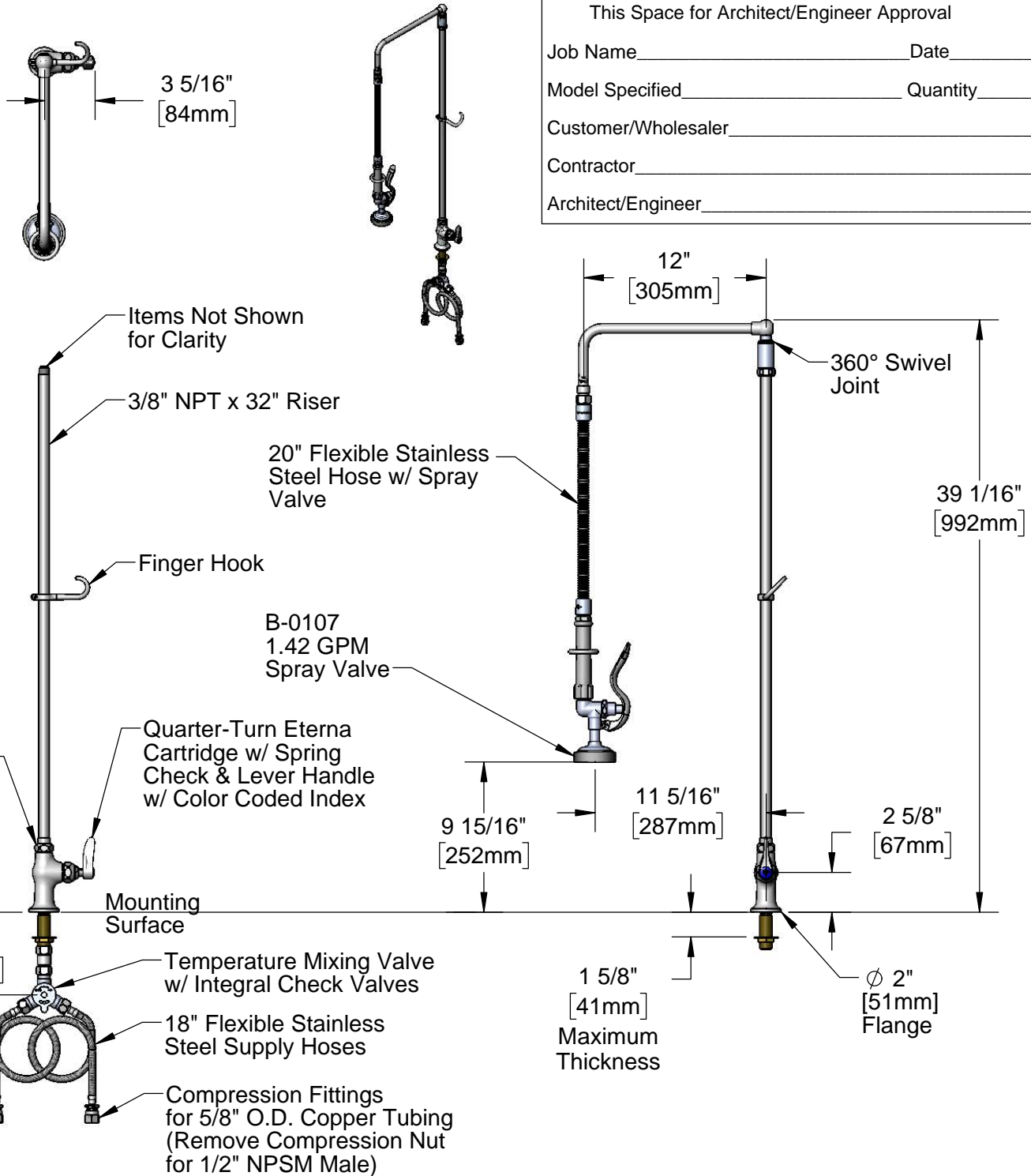
Job Name _____ Date _____

Model Specified _____ Quantity _____

Customer/Wholesaler _____

Contractor _____

Architect/Engineer _____



Rough-In Requirement:
Ø 1" [25mm] Mounting Hole

Product Specifications:

Single Hole, Single Temperature Deck Mount Mixing Faucet, Quarter-Turn Eterna Cartridge w/ Spring Check, Lever Handle, 12" Overhead Swivel Arm, 20" Flexible Stainless Steel Hose, 1.42 GPM Spray Valve, Temperature Control Mixing Valve w/ Integral Check Valves & 18" Flexible Stainless Steel Supply Hoses w/ 1/2" NPSM Male Inlets

Product Compliance:

ASME A112.18.1 / CSA B125.1
NSF 61 - Section 9
NSF 372 (Low Lead Content)
EPA Act 2005 (PRSV)



T&S BRASS AND BRONZE WORKS, INC.

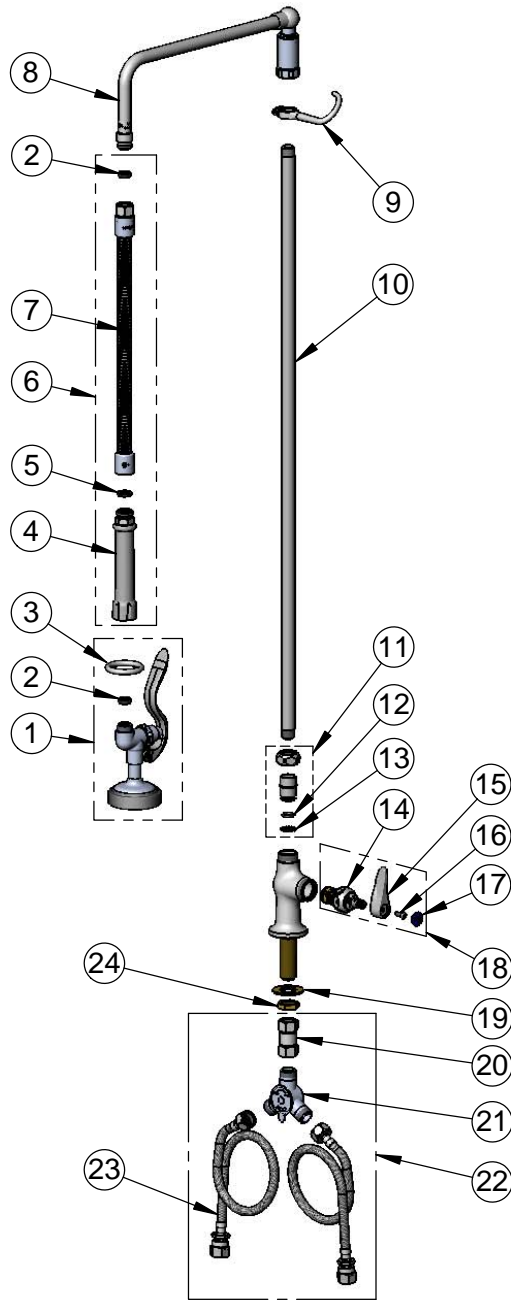
2 Saddleback Cove / P.O. Box 1088
Travelers Rest, SC 29690

Model No.

B-0171

Item No.

Travelers Rest, SC: 800-476-4103 • Simi Valley, CA: 800-423-0150 • Fax: 864-834-3518 • www.tsbrass.com



ITEM NO.	SALES NO.	DESCRIPTION
1	B-0107	1.42 GPM Spray Valve
2	010476-45	#27 Washer
3	000907-45	Spray Valve Hold Down Ring
4	002987-40	Grip Handle
5	001014-45	Washer, B-0100 Hose Barrel
6	B-0020-H	20" Flexible Stainless Steel Hose w/ Handle
7	B-0020-H2A	20" Flexible Stainless Steel Hose - Less Handle
8	002882-40	12" Swivel L-Tube
9	004R	Finger Hook
10	000376-40	3/8" NPT x 32" Riser
11	EZ-K	EasyInstall Kit
12	001065-45	O-Ring
13	014200-45	Star Washer, Anti-Rotation
14	012443-40NS	Quarter-Turn Eterna Cartridge w/ Spring Check, RTC
15	001638-45NS	Lever Handle (New Style)
16	000925-45	Lab Handle Screw
17	018506-19NS	Blue Button Index, Press-in
18	019639-40	Quarter-Turn Eterna Cartridge RTC w/ Spring Check, Handle, Blue Index & Screw
19	000999-45	Brass Lock Washer
20	017506-45	1/2" NPSM Swivel Coupling
21	5EF-0006	Mechanical Mixing Valve
22	019321-40	Temperature Control Mixing Valve w/ Flexible 1/2" NPSM Male Inlets
23	019192-45	Flexible Connector Hose (2)
24	002954-45	Shank Lock Nut

Product Specifications:

Single Hole, Single Temperature Deck Mount Mixing Faucet, Quarter-Turn Eterna Cartridge w/ Spring Check, Lever Handle, 12" Overhead Swivel Arm, 20" Flexible Stainless Steel Hose, 1.42 GPM Spray Valve, Temperature Control Mixing Valve w/ Integral Check Valves & 18" Flexible Stainless Steel Supply Hoses w/ 1/2" NPSM Male Inlets

Product Compliance:

ASME A112.18.1 / CSA B125.1
NSF 61 - Section 9
NSF 372 (Low Lead Content)
EPA Act 2005 (PRSV)