



STAINLESS STEEL FOOD TABLE OVERSHELVES

Single & Double Tier

Item #: _____	Qty #: _____
Model #: _____	
Project #: _____	



STOS Series



TOS Series

FEATURES:

All stainless steel construction.
 Single and double tiers available.
 Shelves are shipped K.D.
 Tubular support brackets secure to underside of shelf
TOS Series: Upper shelf secures to lower shelf with expander hardware (included)

MATERIAL:

18 gauge stainless steel

SINGLE TIER OVERSHELVES

12" WIDE				18" WIDE			
MODEL	Size (W x L)	Weight	Cubic Feet	MODEL	Size (W x L)	Weight	Cubic Feet
STOS-2	12" x 31-13/16"	20 lbs.	3	STOS-2-18	18" x 31-13/16"	25 lbs.	3
STOS-3	12" x 47-1/8"	25 lbs.	4	STOS-3-18	18" x 47-1/8"	30 lbs.	4
STOS-4	12" x 62-3/8"	32 lbs.	5	STOS-4-18	18" x 62-3/8"	37 lbs.	5
STOS-5	12" x 77-3/4"	38 lbs.	6	STOS-5-18	18" x 77-3/4"	43 lbs.	6
STOS-6	12" x 93-1/8"	46 lbs.	6	STOS-6-18	18" x 93-1/8"	51 lbs.	6

DOUBLE TIER OVERSHELVES

12" WIDE				18" WIDE			
MODEL	Size (W x L)	Weight	Cubic Feet	MODEL	Size (W x L)	Weight	Cubic Feet
TOS-2	12" x 31-13/16"	29 lbs.	3	TOS-2-18	18" x 31-13/16"	39 lbs.	3
TOS-3	12" x 47-1/8"	37 lbs.	4	TOS-3-18	18" x 47-1/8"	48 lbs.	4
TOS-4	12" x 62-3/8"	43 lbs.	5	TOS-4-18	18" x 62-3/8"	56 lbs.	5
TOS-5	12" x 77-3/4"	49 lbs.	6	TOS-5-18	18" x 77-3/4"	67 lbs.	6
TOS-6	12" x 93-1/8"	57 lbs.	6	TOS-6-18	18" x 93-1/8"	76 lbs.	6



Customer Service Available To Assist You 1-800-645-3166 8:30 am - 8:00 pm E.S.T.

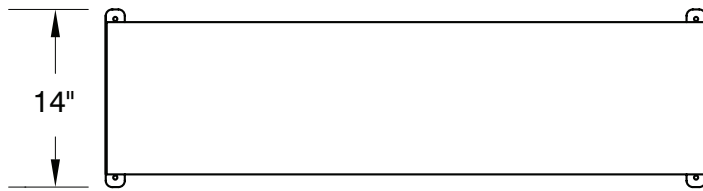
For Orders & Customer Service:
 Email: customer@advancetabco.com or Fax: 631-242-6900

For Smart Fabrication™ Quotes:
 Email: smartfab@advancetabco.com or Fax: 631-586-2933

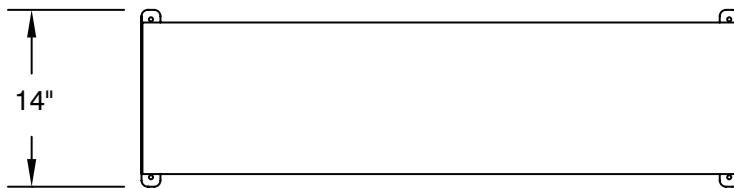
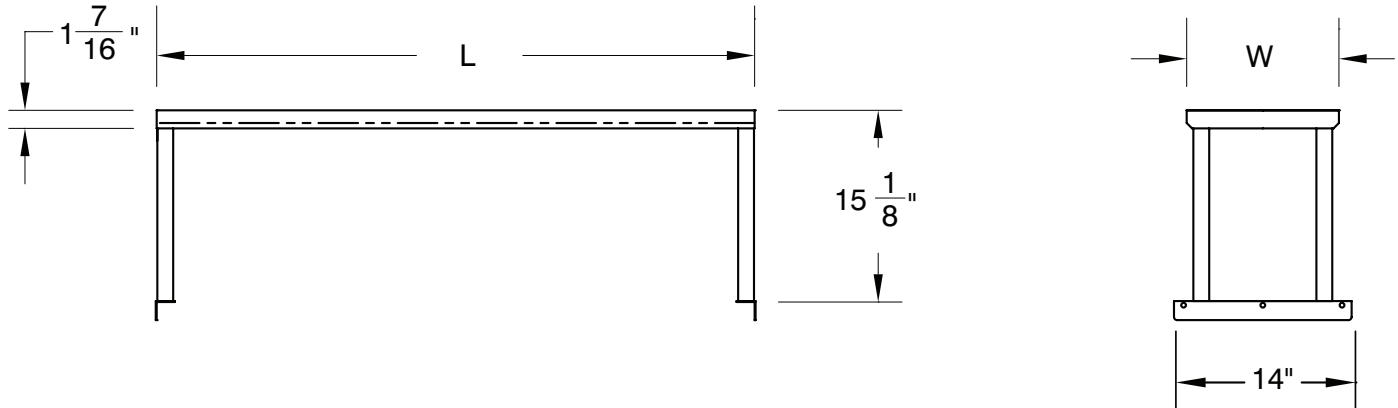
DIMENSIONS and SPECIFICATIONS

TOL $\pm .125"$

ALL DIMENSIONS ARE TYPICAL



STOS SERIES



TOS SERIES

