

COLD WALL MILK COOLERS

Model: MC4-SS-SCW

49" Cold Wall Milk Cooler Single Access

Stainless steel exterior and interior, heavy-duty stainless steel lid, door hinges and latches with reinforced stainless steel floor. **Designed to keep milk cold during serving.**



Options and Accessories

(upcharge and lead times may apply)

Wrap around bumpers	Color laminate
Corner bumpers	Powder coating
Foot pedal floor lock	Digital thermometer
Adjustable legs	Dual access

Consult factory for other model configurations, options and accessories.

Continental
Refrigerator

Toll-Free: 800-523-7138
Phone: 215-244-1400
Fax: 215-244-9579

539 Dunksferry Road
Bensalem, PA 19020
www.continentalrefrigerator.com

Project Name:

Model Specified:

Location:

Item No:

Quantity:

AIA #:

SIS #:

Standard Model Features

REFRIGERATION SYSTEM

Cold wall, performance-rated refrigeration system

Environmentally-safe R-404A refrigerant

Easily serviceable, bottom-mounted compressor

CABINET ARCHITECTURE

2" high density, non-CFC polyurethane foamed-in-place insulation

Snap-in lid and door gasket

Non-corrosive, heavy-duty, epoxy-coated steel wire floor racks

Door cylinder security lock

5" swivel casters w/ front locking brakes

MODEL FEATURES

Exterior-mounted dial thermometer

Floor drain

APPROVAL:

Model Specifications

DIMENSIONAL DATA

Net Capacity (cu. ft.)	20.0 (566 cu l)
Crate Capacity (13" x 13" x 11")	12
Crate Capacity (19" x 13" x 11")	8
Width, Overall (in.)	49 (1245 mm)
Depth, Overall (in.)	33 (838 mm)
Height, Overall (in.) (incl. 5" casters)	41 1/2 (1054 mm)

REFRIGERANT DATA

Condensing Unit Size (H.P.)	1/3
Capacity (BTU/Hr)*	1725

ELECTRICAL DATA

Voltage (int'l)	115/60/1 (220/50/1)
Total Amps (int'l)	5.6 (3.0)
10 ft. Cord/Plug [attached] (int'l)	Yes (No)

SHIPPING DATA

Weight (lbs.)	470 (213 kg)
Height - Crated (in.)	56 1/4 (1429 mm)
Width - Crated (in.)	58 1/4 (1480 mm)
Depth - Crated (in.)	36 1/2 (927 mm)

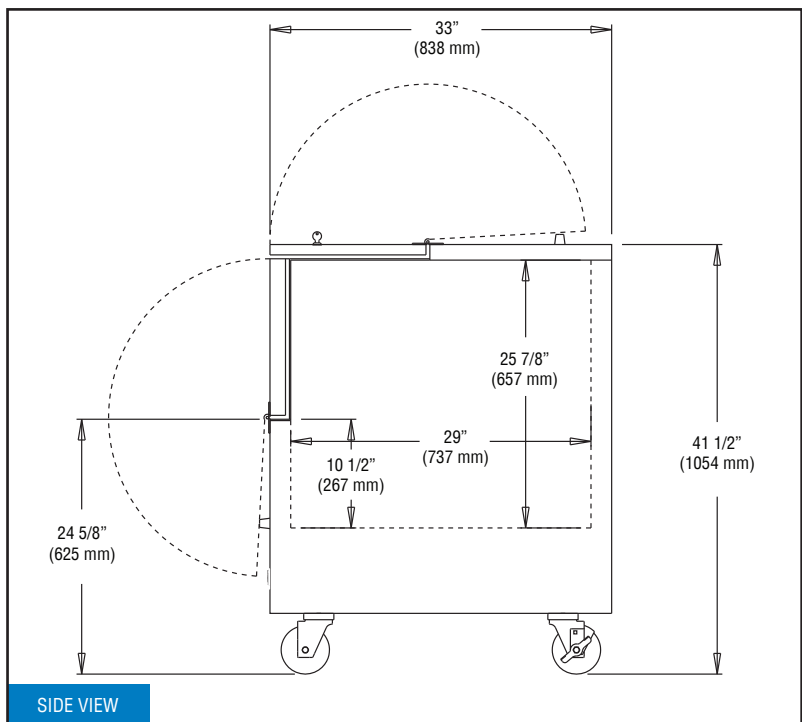
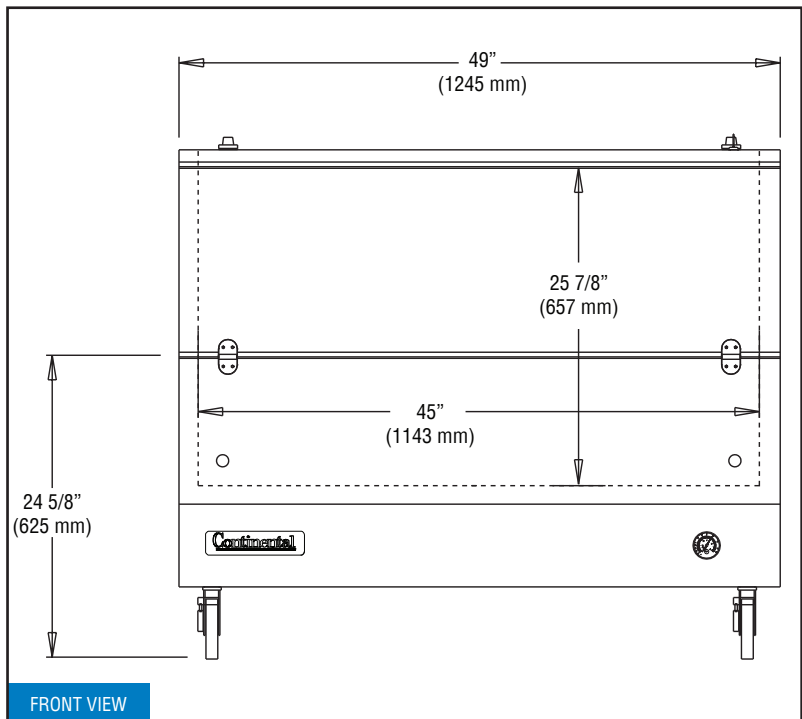
* Rating @ +10°F evaporator, 90°F ambient

Figures in parentheses reflect metric equivalents rounded to the nearest whole unit.



Equipped with one NEMA-5-15P Plug
(varies by country)

Model Plan Views



Continental

Refrigerator

Toll-Free: 800-523-7138
Phone: 215-244-1400
Fax: 215-244-9579

539 Dunkserry Road
Bensalem, PA 19020
www.continentalrefrigerator.com

Due to our continued efforts in developing innovative products, specifications subject to change without notice.



MADE IN THE U.S.A.

© Copyright 2015. Continental Refrigerator.
A Division of National Refrigeration & Air Conditioning Products, Inc.