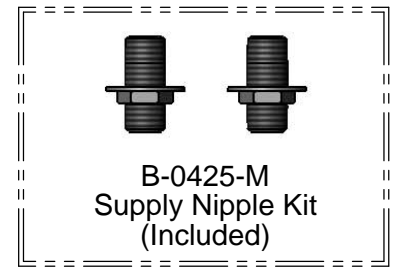
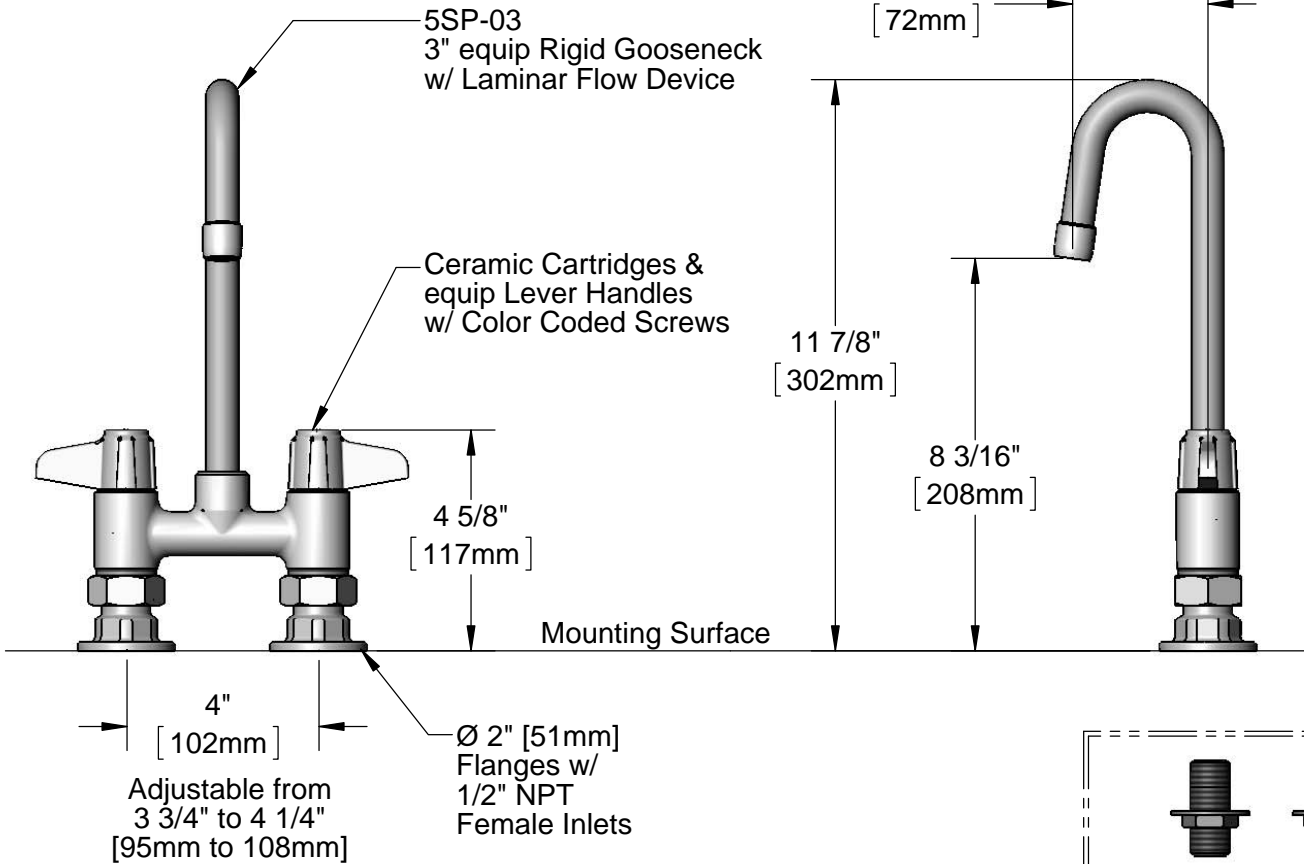
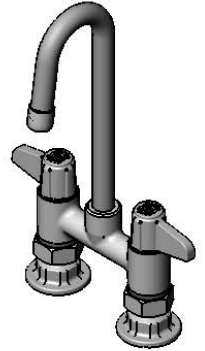
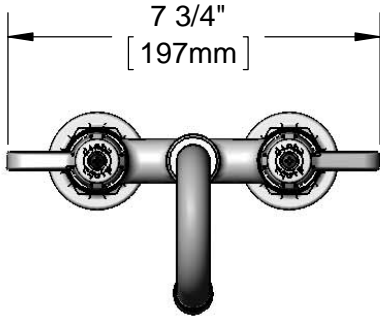


*This Space for Architect/Engineer Approval*

Job Name \_\_\_\_\_ Date \_\_\_\_\_  
 Model Specified \_\_\_\_\_ Quantity \_\_\_\_\_  
 Customer/Wholesaler \_\_\_\_\_  
 Contractor \_\_\_\_\_  
 Architect/Engineer \_\_\_\_\_



**ADA Compliant**



**Rough-In Requirement:**  
(2) Ø 1" [25mm] Mounting Holes

Model Number <b>5F-4DLS03</b>	Date <b>12/09/13</b>	Scale <b>1:4</b>	Drawn <b>KJG</b>	Checked <b>JRM</b>	Approved <b>JHB</b>
----------------------------------	-------------------------	---------------------	---------------------	-----------------------	------------------------

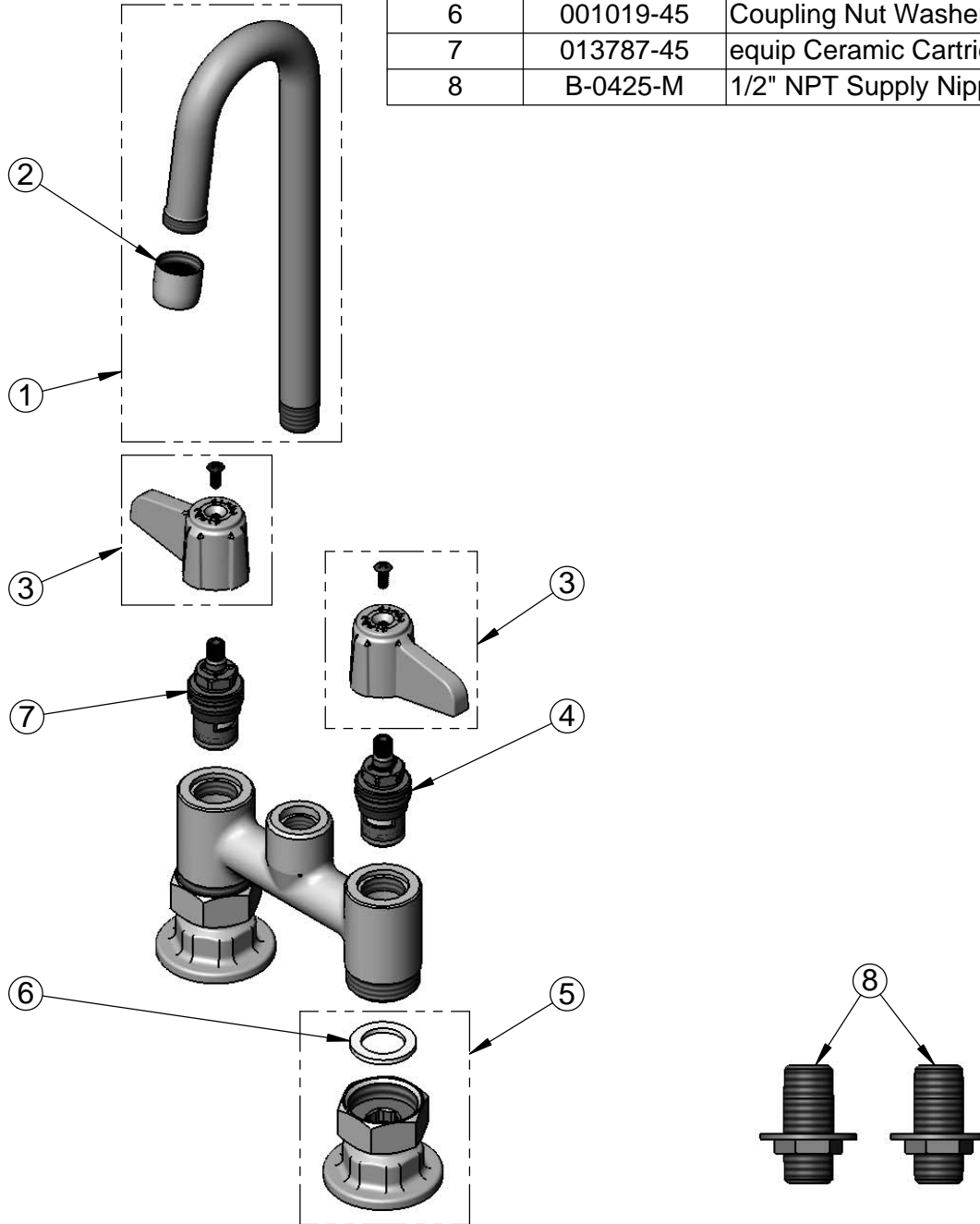


Product Specifications:

**4" Deck Mount Mixing Faucet w/ Ceramic Cartridges,  
equip Lever Handles, 3" equip Rigid Gooseneck  
& 1/2" NPT Supply Nipple Kit**

equip Foodservice Accessories  
2 Saddleback Cove, P.O. Box 1088  
Travelers Rest, South Carolina 29690  
Phone: 800.891.4808 Fax: 800.868.0084

ITEM NO.	SALES NO.	DESCRIPTION
1	5SP-03	3" equip Rigid Gooseneck
2	014250-45	Laminar Flow Device
3	5-HDL-L	equip Lever Handle w/ Color Coded Screws
4	013788-45	equip Ceramic Cartridge, LTC
5	00AA	1/2" NPT Female Eccentric Flange
6	001019-45	Coupling Nut Washer
7	013787-45	equip Ceramic Cartridge, RTC
8	B-0425-M	1/2" NPT Supply Nipple Kit (2)



Model Number 5F-4DLS03	Date 12/09/13	Scale NTS	Drawn KJG	Checked JRM	Approved JHB
---------------------------	------------------	--------------	--------------	----------------	-----------------



Product Specifications:

4" Deck Mount Mixing Faucet w/ Ceramic Cartridges,  
equip Lever Handles, 3" equip Rigid Gooseneck  
& 1/2" NPT Supply Nipple Kit

equip Foodservice Accessories  
2 Saddleback Cove, P.O. Box 1088  
Travelers Rest, South Carolina 29690  
Phone: 800.891.4808 Fax: 800.868.0084