

GENERAL INFORMATION

Project Name: _____
Item: _____
Quantity: _____
Model: XG3950 _____
Length: _____

STANDARD NSF LISTED FINISH OPTIONS

- | | |
|---|--|
| <input type="checkbox"/> Brushed Aluminum | <input type="checkbox"/> Chrome |
| <input type="checkbox"/> Gloss Black | <input type="checkbox"/> Wrinkle Black |
| <input type="checkbox"/> Smoked Copper | <input type="checkbox"/> Polished Brass Finish |
| <input type="checkbox"/> Other _____ | |

LIGHT OPTIONS

- LED Light Unit
- Linear T-5 Fluorescent Unit

For warmers contact BSI factory.

GLASS DETAILS

- Maximum centerline length equals 14'

GLASS OPTIONS

- 1" Radius Corner (standard)
- Square Corners
- 1/4" Tempered Glass (not for shelves)
Centerline Max 54"
- 3/8" Tempered Glass (for shelf or span more than 54")
Centerline Max 66"
- 1/2" Tempered Glass (for shelf or span more than 66")
Centerline Max 72"

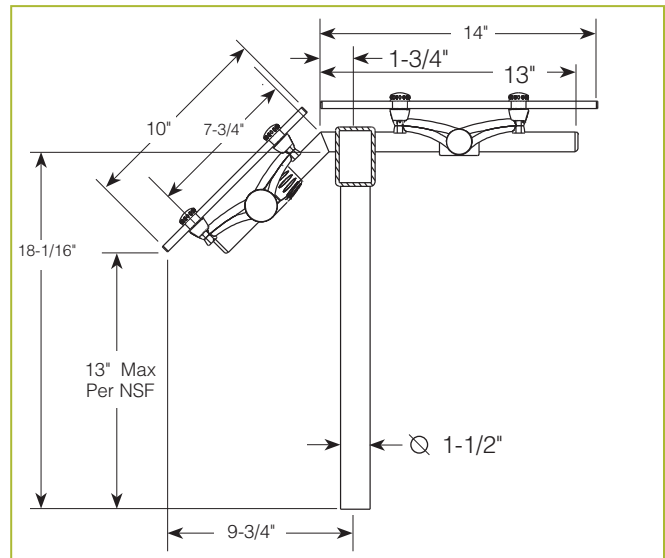
* Maximum span between legs on counter is recommended at 168".

XG3950

Mega Span



Shown without end panels.



To meet NSF guidelines, end panels are included on all BSI quotations unless specifically excluded. (See End Panel Page for More Details.)

INSTALLATION OPTIONS

Above-Counter

- Surface Installation 720A/726A: Steel Post and Flange w/Flange Cover
- Surface Installation 725A: Cut Flange

Under-Counter

- Under-Counter Installation 720A/726A: Steel Post and Flange w/Flange Cover or w/out Flange Cover
- Under-Counter Installation 725A: Narrow Custom Flange

(Requires Under-Counter Reinforcement & Access)

See Installation Page for More Details.

* Approval Drawings Required

XGuards can be provided with a UL Listed light or warmer.