

SINGLE OVERSHELF

Models: **SOS27, SOS32, SOS36**
SOS48, SOS60, SOS72

SOS - Single Overshelf for Worktops & Sandwich Units

Heavy-duty, stainless steel, tubular-style, pass-thru overshelf cantilevers to rear of Worktop or Sandwich Unit models. Standard with "hat channel" under shelf for field-added components.



Shelf fixed height of 21" from worktop

Standard with "hat channel" under shelf

Model Features

Pass-thru shelving

Heavy-gauge stainless steel, tubular-style poles, 1 1/4" square, .083 wall, cantilever to rear of base

Heavy, 16-gauge stainless steel shelf

Fixed height of 21" from worktop

16" Deep

Standard with "hat channel" under shelf for field-added components

Pre-drilled holes for mounting a heat lamp by others

NOTE: Tubular-style overshelf is available as pass-thru shelf only.

Continental
Refrigerator

Toll-Free: 800-523-7138
Phone: 215-244-1400
Fax: 215-244-9579

539 Dunksferry Road
Bensalem, PA 19020
www.continentalrefrigerator.com

Project Name:

Model Specified:

Location:

Item No:

Quantity:

AIA #:

SIS #:

Product Specifications

DIMENSIONAL DATA (ALL MODELS)

Depth (in.) 16 (406 mm)

Height, (fixed height) (in.) 21 (533 mm)

SOS27

Width (in.) 27 9/16 (700 mm)

Shipping Weight (lbs.) 35 (16 kg)

SOS32

Width (in.) 32 1/16 (814 mm)

Shipping Weight (lbs.) 36 (16 kg)

SOS36

Width (in.) 36 1/16 (916 mm)

Shipping Weight (lbs.) 38 (17 kg)

SOS48

Width (in.) 48 1/16 (1221 mm)

Shipping Weight (lbs.) 40 (18 kg)

SOS60

Width (in.) 60 1/16 (1526 mm)

Shipping Weight (lbs.) 45 (20 kg)

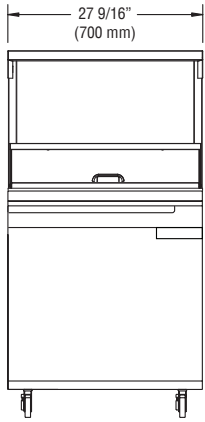
SOS72

Width (in.) 72 1/16 (1830 mm)

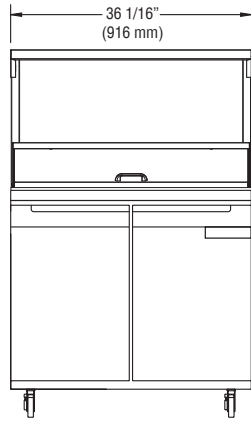
Shipping Weight (lbs.) 49 (22 kg)

Figures in parentheses reflect metric equivalents rounded to the nearest whole unit.

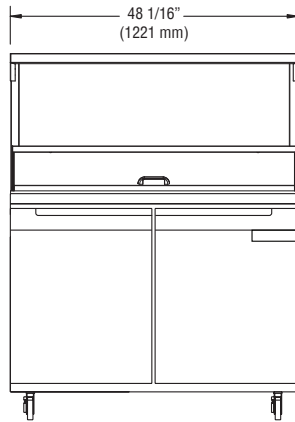
APPROVAL:



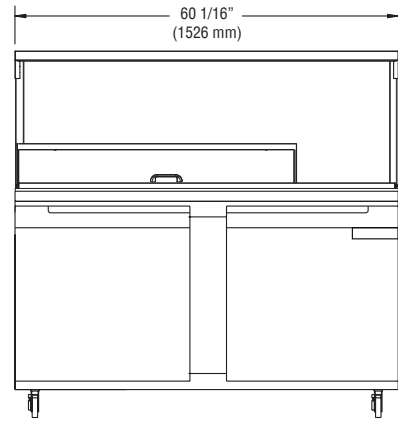
SOS27



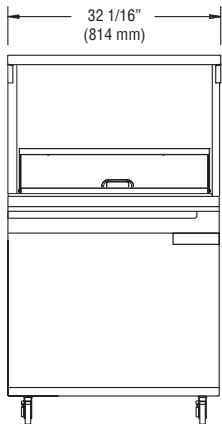
SOS36



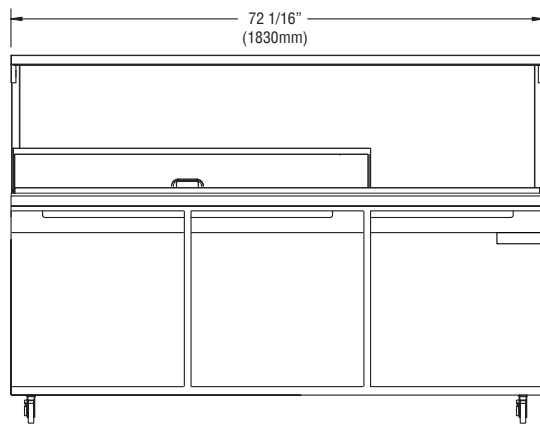
SOS48



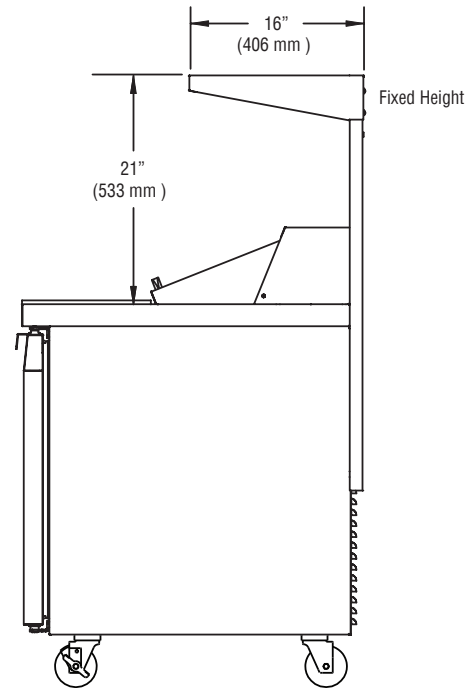
SOS60



SOS32



SOS72



SIDE VIEW



Toll-Free: 800-523-7138
 Phone: 215-244-1400
 Fax: 215-244-9579

539 Dunkserry Road
 Bensalem, PA 19020
www.continentalrefrigerator.com

Due to our continued efforts in developing innovative products, specifications subject to change without notice.



MADE IN THE U.S.A.

© Copyright 2015, Continental Refrigerator.
 A Division of National Refrigeration & Air Conditioning Products, Inc.