



T&S BRASS AND BRONZE WORKS, INC.
 2 Saddleback Cove / P.O. Box 1088
 Travelers Rest, SC 29690

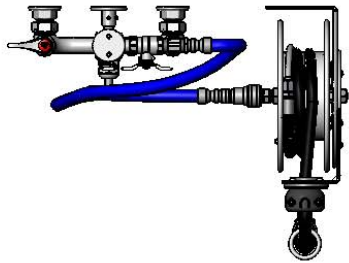
Model No.
B-1433-7102-01C

Item No.

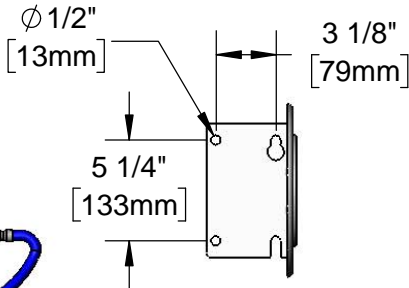
Travelers Rest, SC: 800-476-4103 • Simi Valley, CA: 800-423-0150 • Fax: 864-834-3518 • www.tsbrass.com

This Space for Architect/Engineer Approval

Job Name _____ Date _____
 Model Specified _____ Quantity _____
 Customer/Wholesaler _____
 Contractor _____
 Architect/Engineer _____



B-0963
 Continuous Pressure
 Vacuum Breaker w/
 Integral Check Valve



3/8" NPT x 36"
 Flexible Water
 Hose

Stainless Steel
 Quick Disconnect

Open Stainless Steel
 Hose Reel w/ 12" of
 3/8" Hose



B-0107-C
 0.65 GPM
 Low Flow
 Spray Valve

3/8" NPT x 40" Riser

Control Valve

(2) B-0109-07
 Wall Brackets

EasyInstall
 3/8" NPT x 16" Riser

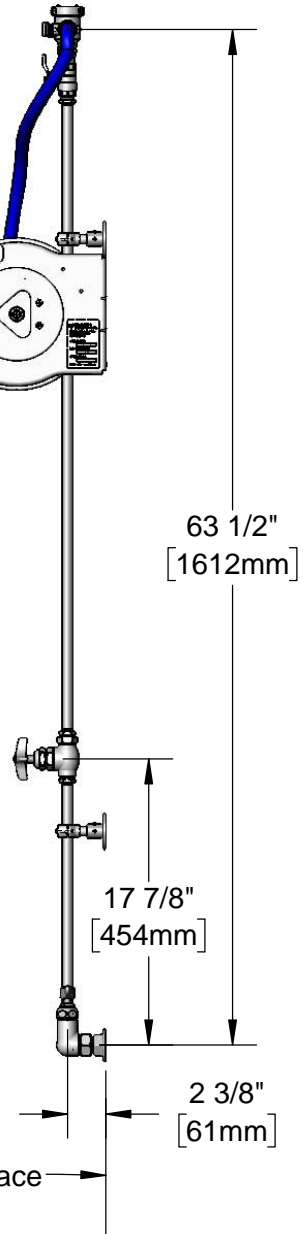
Quarter-Turn
 Eterna Cartridges w/
 Spring Checks &
 Lever Handles w/
 Color Coded Indexes

3 11/16"
 [94mm]

12 5/8"
 [321mm]

Ø 2" [51mm]
 Flanges w/
 1/2" NPT
 Female Inlets

8"
 [203mm]
 Adjustable From
 7 3/4" to 8 1/4"
 [197mm to 210mm]



Product Specifications:

Open Stainless Steel Hose Reel w/ 12' of 3/8" Hose, 8" Wall Mount Faucet, Quarter-Turn Eterna w/ Spring Check, 0.65 GPM Low Flow Spray Valve, Vacuum Breaker, 3/8" NPT Flexible Water Hose, Wall Brackets & Control Valve

Product Compliance:

NSF 61 Exempt (Non-Potable)
 EPA Act 2005 (PRSV)
 EPA WaterSense (PRSV)
 ASSE 1056 (VB)



T&S BRASS AND BRONZE WORKS, INC.

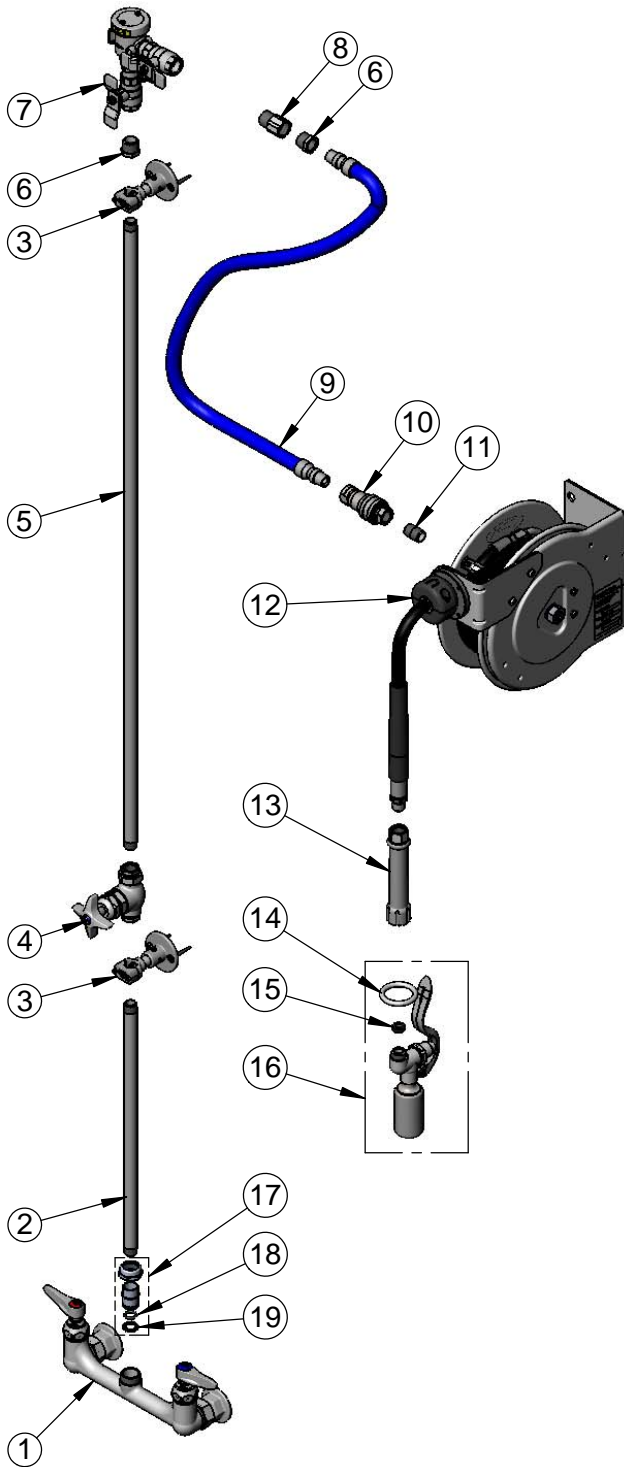
2 Saddleback Cove / P.O. Box 1088
Travelers Rest, SC 29690

Model No.

B-1433-7102-01C

Item No.

Travelers Rest, SC: 800-476-4103 • Simi Valley, CA: 800-423-0150 • Fax: 864-834-3518 • www.tsbrass.com



ITEM NO.	SALES NO.	DESCRIPTION
1	002832-40	8" Wall Mount Mixing Faucet
2	000368-40	3/8" NPT x 16" Riser
3	B-0109-07	Wall Bracket
4	0RK3	Control Valve
5	002558-40	3/8" NPT x 40" Riser
6	001359-40	1/2" NPT Male x 3/8" NPT Female Hex Bushing
7	B-0963	1/2" NPT Continuous Pressure VB w/ Integral Check Valve
8	015073-40	Check Valve 1/2" NPT Adapter
9	HW-2B-36	3/8" NPT x 36" Flexible Water Hose
10	AW-5B	3/8" NPT Quick Disconnect
11	002535-25	3/8" Close Nipple
12	B-7102	Open Stainless Steel Hose Reel w/ 12' x 3/8" Hose
13	002881-40	Grip Handle
14	000907-45	Spray Valve Hold Down Ring
15	010476-45	#27 Washer
16	B-0107-C	0.65 GPM Low Flow Spray Valve
17	EZ-K	EasyInstall Kit
18	001065-45	O-Ring
19	014200-45	Star Washer, Anti-Rotation

Product Specifications:

Open Stainless Steel Hose Reel w/ 12' of 3/8" Hose, 8" Wall Mount Faucet, Quarter-Turn Eterna w/ Spring Check, 0.65 GPM Low Flow Spray Valve, Vacuum Breaker, 3/8" NPT Flexible Water Hose, Wall Brackets & Control Valve

Product Compliance:

NSF 61 Exempt (Non-Potable)
EPA Act 2005 (PRSV)
EPA WaterSense (PRSV)
ASSE 1056 (VB)



B-1433-7102-01C

Open Stainless Steel Hose Reel Assembly

Architect/Engineering Specifications:

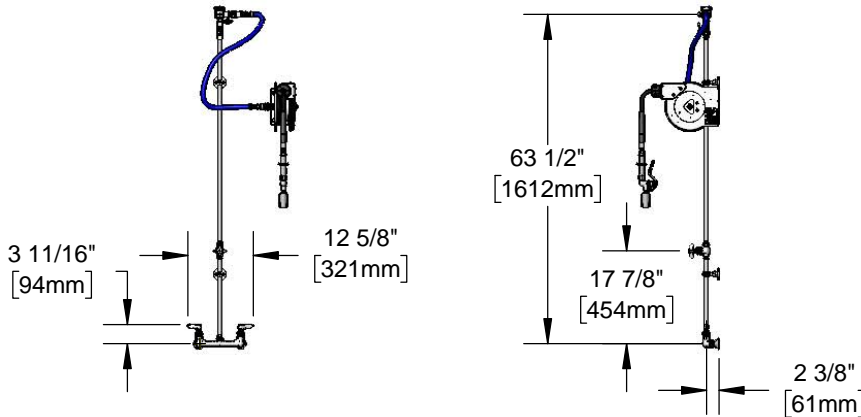
8" wall mount mixing faucet with polished chrome plated brass body, compression cartridges with spring checks, lever handles, 1/2" NPT female inlets, 16" riser, control valve, 40" riser, wall brackets, continuous pressure vacuum breaker, 36" flexible water hose connector with stainless steel quick disconnect, open stainless steel hose reel with 3/8" x 12' heavy-duty non-marking hose, ratcheting system, 0.65 GPM low flow spray valve, multi-fit bracket and adjustable hose bumper. Certified to ASSE 1056.

Job Name _____

Model Specified _____ Quantity _____

Variations Specified _____

Date _____



Features & Benefits:

- All-in-one system with exposed piping and accessories
- 8" wall mount mixing faucet w/ polished chrome plated brass body
- Quarter-turn Eterna compression cartridges with spring checks to prevent cross flow of water
- Lever handles w/ color coded indexes
- 1/2" NPT female eccentric inlets with Ø 2" flanges
- Adjustable centers from 7 3/4" to 8 1/4"
- EasyInstall 16" and rigid 40" risers w/ control valve between risers
- (2) 2 3/8" wall brackets
- Continuous pressure vacuum breaker
- 36" flexible water hose connector with stainless steel quick disconnect
- Open stainless steel hose reel
- Low flow spray valve w/ heat resistant grey handle and hold down ring
- 3/8" x 12' heavy-duty non-marking hose rated to 300 PSI
- Ratcheting system holds the length of hose until a slight tug to retract automatically
- Adjustable hose bumper
- Multi-fit bracket for wall, ceiling or under counter mounting
- Material: Polished chrome plated brass faucet body, risers and spray valve body, chrome plated metal handles, control valve and vacuum breaker and stainless steel reel.

Product Compliance:

- NSF 61 Exempt (Non-Potable)
- EPAAct 2005 (PRSV)
- EPA WaterSense (PRSV)
- ASSE 1056



Warranty: One Year (Limited)

- Hose Reel: Two Year (Limited)
- Hose: One Year (Limited)

Performance Data:

- Pressure: 20 - 125 psi
- Temperature: 40°F - 140°F
- Flow Rate: 0.65 GPM @ 60 psi

Optional Cartridges With Checks

- Quarter-Turn Cerama w/ Check Valve
- Quarter-Turn Eterna w/ Spring Check (Standard)

Optional Hose Reel Spray Valves

- B-0107 Spray Valve
- B-0108 Ergonomic Medium Flow Spray Valve
- B-0108-H Ergonomic High Flow Spray Valve
- EB-0107 High Flow Spray Valve
- EB-2322 Extended Spray Wand
- MV-2516-24 Stainless Steel Rear Trigger Water Gun
- MV-2522-24 Stainless Steel Front Trigger Water Gun
- MV-3516-24 Aluminum Rear Trigger Water Gun

