

MODEL: \_\_\_\_\_ PROJECT: \_\_\_\_\_ ITEM #: \_\_\_\_\_ QTY: \_\_\_\_\_

### PRODUCT IMAGE



DB60L-SSS-LR shown with optional casters

**AVAILABLE IN 36", 60", 72", & 84" SIZES**

### OPTIONAL ACCESSORIES

- **BS-100** Four 6" Stainless Steel Legs
- **BS-101** Six 6" Stainless Steel Legs (72" and 84" models)
- **BS-102** Four 4" Stainless Steel Legs
- **BS-103** Six 4" Stainless Steel Legs (72" and 84")
- **BS-106** Left Side Stainless Steel Kick Plate
- **BS-107** Right Side Stainless Steel Kick Plate
- **BC-130** Four 1" Ultra Low profile Casters with Brakes
- **BC-131** Six 1" Ultra Low profile Casters with Brakes (72" and 84")
- **BC-132** Four 2" Low profile Casters with Brakes
- **BC-133** Six 2" Low profile Casters with Brakes (72" and 84")
- **BC-134** Four 3" Casters with Brakes
- **BC-135** Six 3" Casters with Brakes (72" and 84")
- **BS-136** 36" Stainless Steel Front Kick Plate
- **BS-160** 60" Stainless Steel Front Kick Plate
- **BS-172** 72" Stainless Steel Front Kick Plate
- **BS-184** 84" Stainless Steel Front Kick Plate

### STANDARD FEATURES

- **Electrical**  
115 V, 1 Phase, 60 Hz. Furnished with 8'-0" plug-in cord, which exits left or right rear of cooler. NEMA 5-15P Plug Configuration. Dedicated 15 Amp circuit recommended  
1 Door (36"): 3.6 Full Load Amps, 1/5 HP  
2 Door (60"): 6.0 Full Load Amps, 1/4 HP  
2 Door (72"): 6.0 Full Load Amps, 1/4 HP  
3 Door (84"): 9.0 Full Load Amps, 1/3 HP
  - **Refrigeration**  
Self-contained 134A Refrigerant. 30°F-40°F operating range  
Digital Thermostat on front grille
  - **Keg Capacity**

	36"	60"	72"	84"
1/4 Keg:	1	2	3	4
1/2 Keg:	1	2	3	4
  - **Interior**  
20 gauge galvanized walls with stainless steel floor.  
One stainless steel floor rack per door.  
Door Opening: 29 <sup>11</sup>/<sub>16</sub>" high x 19 <sup>15</sup>/<sub>16</sub>" wide
  - **Exterior**  
Sides: 20 gauge stainless steel  
Front: 20 gauge stainless steel or black vinyl  
Back: 20 gauge galvanized steel  
Top: 1" stainless steel top with 16" x 8" drainer (standard)
  - **Number of Faucets**

1 Door (36"):	1
2 Door (60"):	2
2 Door (72"):	3
3 Door (84"):	4
  - **Insulation**  
2" thick foamed-in-place polyurethane
  - **Plumbing**  
No drain connection required.  
Condensate evaporator pan included  
1/2" drain line provided from beer drainer exits bottom front of refrigeration compartment
- \* This equipment is intended for the storage and display of non-potentially-hazardous bottle or canned products only \**



### APPROVED BY:

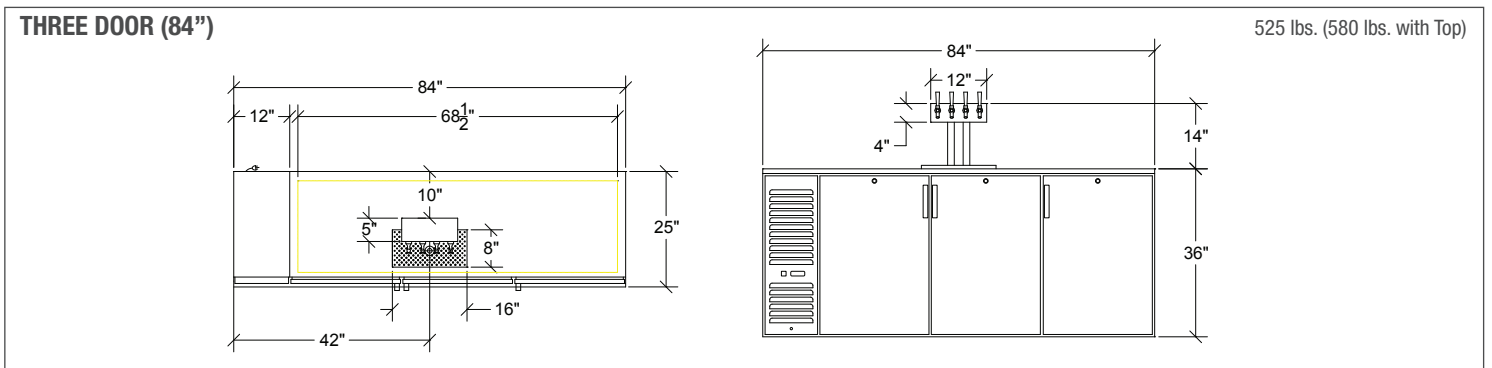
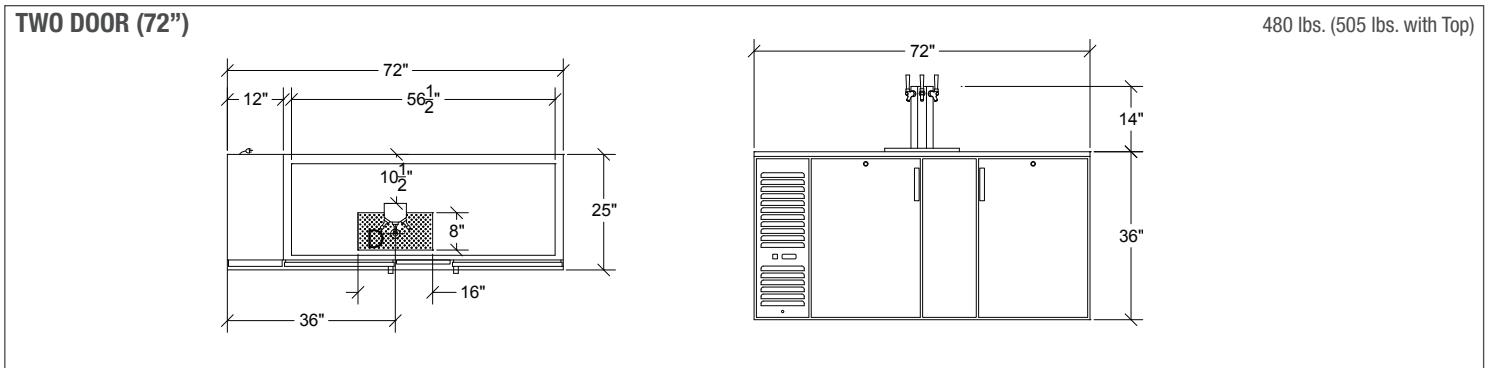
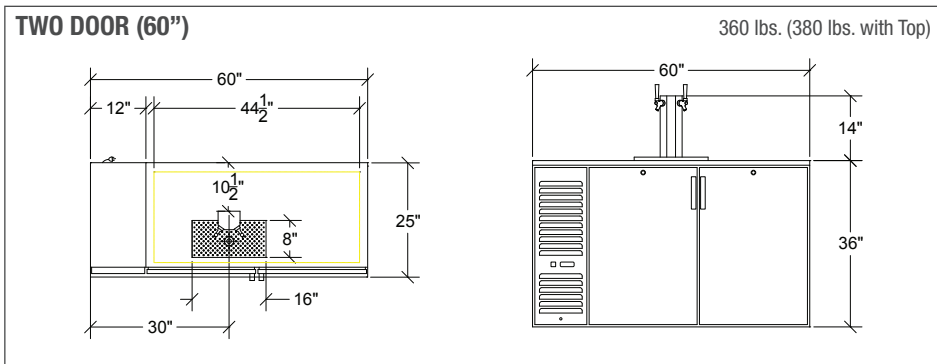
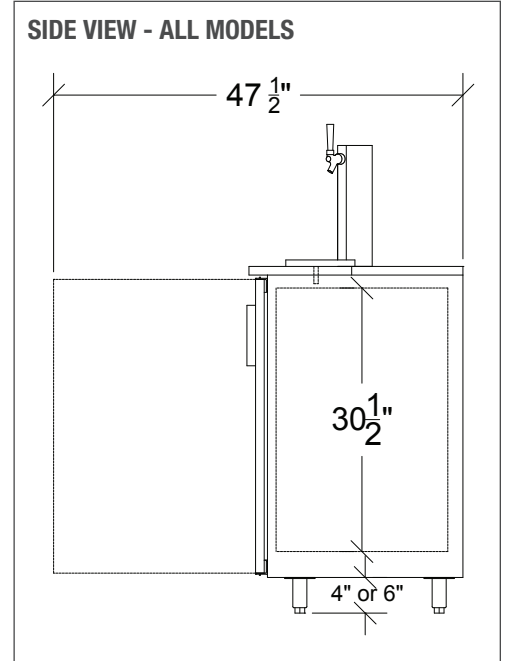
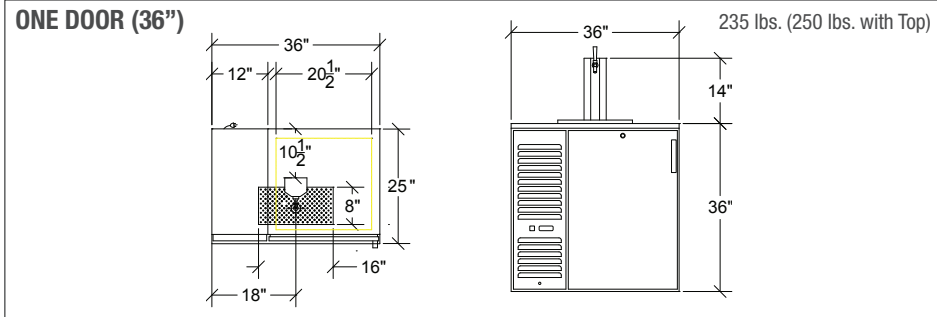
**CERTIFICATIONS:**

Due to our commitment to continued product improvement, specifications are subject to change without notice.

# REFRIGERATION

## SELF-CONTAINED DRAFT BEER COOLERS

MODEL: \_\_\_\_\_ PROJECT: \_\_\_\_\_ ITEM #: \_\_\_\_\_ QTY: \_\_\_\_\_



**CERTIFICATIONS:**

**APPROVED BY:**

**Note:** Optional casters raise height 1" higher than wheel size  
**Note:** Optional 4" or 6" legs available

Due to our commitment to continued product improvement, specifications are subject to change without notice.