



STAINLESS STEEL  
**DISHTABLES**  
**KORNER CLEAN**

**NEW** Tile Edge Design



**SPEC-LINE**  
 DTC-K70-60L Shown

**Item #:** \_\_\_\_\_ **Qty #:** \_\_\_\_\_  
**Model #:** \_\_\_\_\_  
**Project #:** \_\_\_\_\_

**Spec-Line:** 14 ga. 304 Series Stainless Steel Top.  
 16 ga. 304 Stainless Steel Legs Stainless Steel Legs  
 with Welded Cross Bracing & Stainless Steel Bullet Feet.

**UPGRADED!**  
**Standard:** 16 ga. 304 Series Stainless Steel Top.  
 16 ga. 304 Stainless Steel Legs Stainless Steel Legs  
 with Welded Cross Bracing & Stainless Steel Bullet Feet.

**Super Saver:** 16 ga. 304 Series Stainless Steel Top.  
 Galvanized Legs with Plastic Bullet Feet.

**FEATURES:**

Tile edge for ease of installation.  
 Dishtable system consists of SOIL and CLEAN sections.  
 Table is furnished with 10-1/2" splash with a 2" return.

**CONSTRUCTION:**

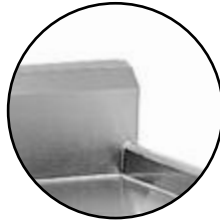
All TIG welded.  
 Welded areas blended to match adjacent surfaces and to a satin finish.  
 Stainless Steel Gussets welded to a stainless steel support channel.

**Optional Stainless Steel  
 UNDERSHELF  
 Die Cast LEG CLAMP**

secured to shelf eliminates  
 unsightly nuts & bolts



**10-1/2" EXTRA LARGE  
 Bold Looking Backsplash  
 with 2" return and tile edge**



ACCESSORIES	Model #	Qty
Wall Shelf		
Undershelf		

	14 Gauge 304 16 Ga. Stainless Steel Legs	16 Gauge 304 Stainless Steel Legs	16 Gauge 304 Galvanized Legs
--	---	--------------------------------------	---------------------------------

Nominal Size	"L"	SPEC-LINE	STANDARD	SUPER SAVER	Approx. Wt.
4 Ft.	47"	DTC-K30-48L or R	DTC-K70-48L or R	DTC-K60-48L or R	145 lbs.
5 Ft.	59"	DTC-K30-60L or R	DTC-K70-60L or R	DTC-K60-60L or R	165 lbs.
6 Ft.	71"	DTC-K30-72L or R	DTC-K70-72L or R	DTC-K60-72L or R	190 lbs.
7 Ft.	83"	DTC-K30-84L or R	DTC-K70-84L or R	DTC-K60-84L or R	205 lbs.
8 Ft.	95"	DTC-K30-96L or R	DTC-K70-96L or R	DTC-K60-96L or R	215 lbs.
9 Ft.	107"	DTC-K30-108L or R	DTC-K70-108L or R	DTC-K60-108L or R	330 lbs.
10 Ft.	119"	DTC-K30-120L or R	DTC-K70-120L or R	DTC-K60-120L or R	350 lbs.
12 Ft.	143"	DTC-K30-144L or R	DTC-K70-144L or R	DTC-K60-144L or R	370 lbs.

Nominal sizing on all  
 dishtables for ease of  
 installation.



**Customer Service Available To Assist You 1-800-645-3166 8:30 am - 8:00 pm E.S.T.**

Email Orders To: customer@advancetabco.com. For Smart Fabrication™ Quotes, Email To: smartfab@advancetabco.com or Fax To: 631-586-2933

**NEW YORK**  
 Fax: (631) 242-6900

**GEORGIA**  
 Fax: (770) 775-5625

**TEXAS**  
 Fax: (972) 932-4795

**NEVADA**  
 Fax: (775) 972-1578

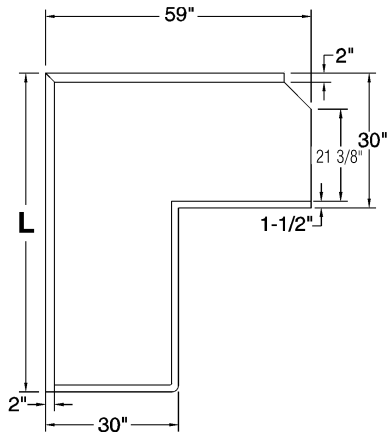
# DIMENSIONS and SPECIFICATIONS

TOL ± .500"

ALL DIMENSIONS ARE TYPICAL

## SEE DISH MACHINE COMPATIBILITY CHART TO ENSURE PROPER FIT

Dish Machine Compatibility Chart can be found on our website at [www.advancetabco.com](http://www.advancetabco.com) under "Product Support"

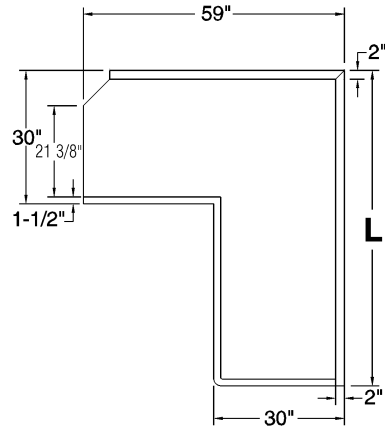


**KORNER CLEAN LEFT**

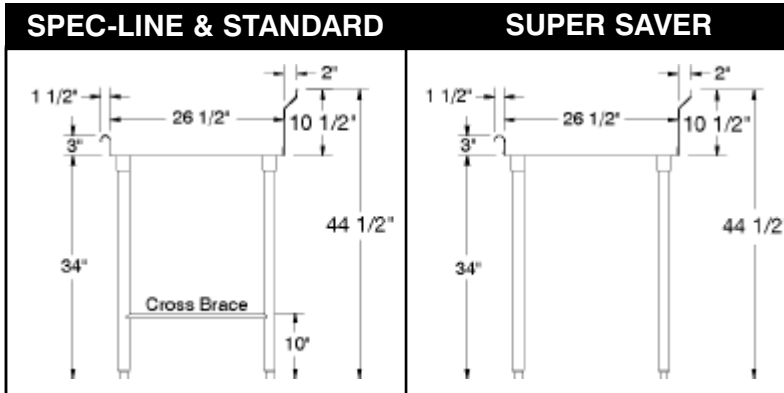
**DISH MACHINE**



**OPERATOR**

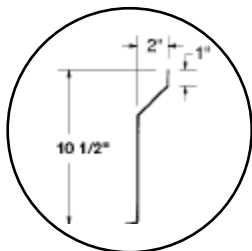


**KORNER CLEAN RIGHT**



*CUSTOMIZE YOUR OWN SYSTEM  
by Ordering Optional Accessories from our  
PRODUCT & PRICE GUIDE*

Splash Detail



Description	SPEC-LINE	STANDARD	SUPER SAVER
<b>Material</b>	14 Ga. 304 Series	16 Ga. 304 Series	16 Ga. 304 Series
<b>1 5/8" Dia. Legs</b>	Stainless Steel	Stainless Steel	Galvanized
<b>Gussets</b>	Stainless Steel	Stainless Steel	Stainless Steel
<b>Bullet Feet (1" adj.)</b>	Stainless Steel	Stainless Steel	Plastic
<b>Cross Bracing</b>	Welded	Welded	Optional

