

HEATED HOLDING**VULCAN****VHP15
HOLDING & TRANSPORT CABINET**

Model VHP15

**SPECIFICATIONS**

Vulcan Model VHP15 heated holding and transport cabinets with a narrow footprint designed specifically to hold 15 each 12" x 20" x 2½" pans on fixed racking. Blower motor for gentle and even temperature distribution. Comes complete with 5" heavy duty casters (2 swivel with brakes and 2 rigid) and Dutch doors. Recessed control panel containing dual indicator light, thermometer, and full range thermostat for temperatures up to 190°F (88°C). Cabinet interior and exterior are both constructed out of 20 gauge stainless steel. Recessed side-mounted push/pull handles, magnetic action door latch, and full insulation; 1½" in side walls and 2" in top. Integrated steel frame for maximum strength. Field reversible doors. One year limited parts and labor warranty. After the first year, lifetime parts warranty on the heating elements. Complete with top mounted cord, cord wrap, and plug: NEMA 5-15 for 120 volts and NEMA 6-15 for 208-240 volts. 120 volts, 1200 watts, 10 amps.

UL Listed to Canadian safety standards. Classified by UL to NSF Std. #4

VHP15 Holding & Transport Cabinet

STANDARD FEATURES

- Holding and Transport Capacity
Narrow footprint designed specifically to hold 15 each 12" x 20" x 2½" pans on fixed racking.
- Blower motor for gentle and even temperature distribution.
- 5" heavy duty casters (2 swivel with brakes and 2 rigid).
- Recessed side mounted push/pull handles.
- Dutch doors.
- Recessed control panel.
- Dual indicator lights.
- Thermometer.
- Full range thermostat for temperatures up to 190°F (88°C).
- Interior and exterior are both constructed out of 20 gauge stainless steel.
- Fully insulated with 1½" in side walls and 2" in top.
- Integrated steel frame for maximum strength.
- Magnetic action door latches.
- Field reversible doors.
- One year limited parts and labor warranty. After the first year, lifetime parts warranty on the heating elements.
- Top mounted cord.
- Cord wrap.
- Complete with cord and plug: NEMA 5-15 for 120 volts and NEMA 6-15 for 208-240 volts.
- 120 volts, 1200 watts, 10 amps.

OPTIONS

- 208/240 volts
- Humidity pan
- Full perimeter bumper

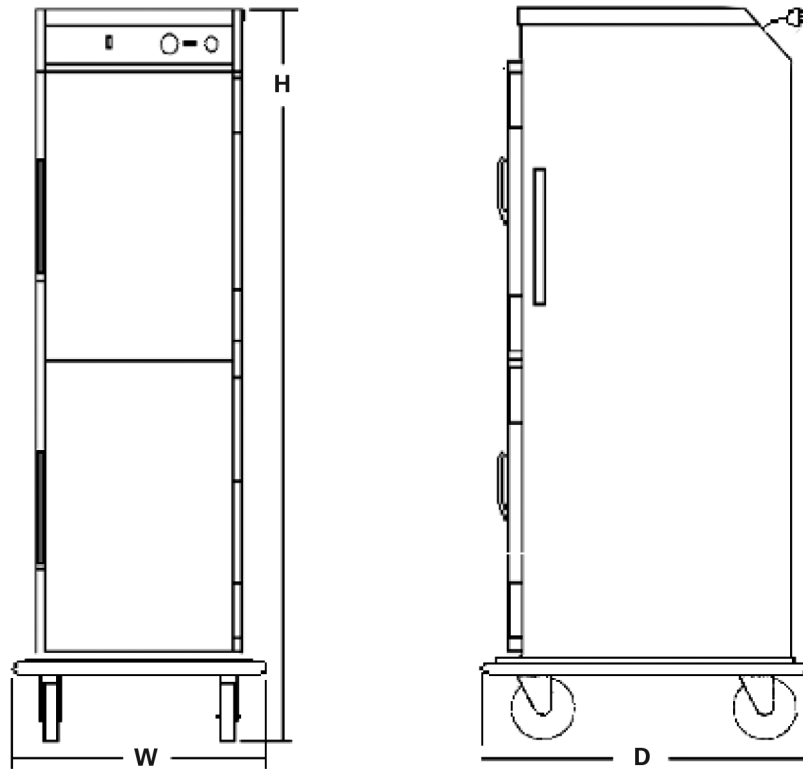
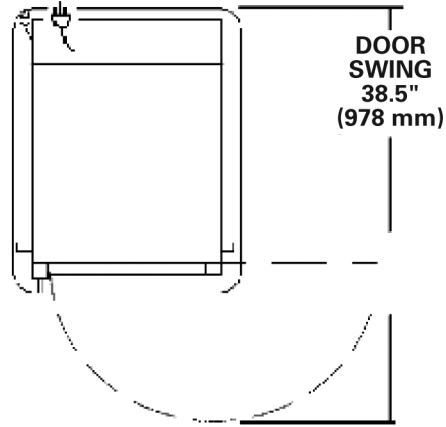
VULCAN

a division of ITW Food Equipment Group LLC

P.O. Box 696 ■ Louisville, KY 40201 ■ Toll-free: 1-800-814-2028 ■ Local: 502-778-2791 ■ Quote & Order Fax: 1-800-444-0602



VHP15
HOLDING & TRANSPORT CABINET



MODEL	CAPACITY 12" x 20" x 2½"	HIGH	DEEP	WIDE	SHIPPING WEIGHT	VOLTS	WATTS	AMPS
VHP15	15	60.5" 1537 mm	26.75" 679 mm	17.25" 438 mm	200 lbs. 91 kg	120	1200	10



a division of ITW Food Equipment Group LLC

P.O. Box 696 ■ Louisville, KY 40201 ■ Toll-free: 1-800-814-2028 ■ Local: 502-778-2791 ■ Quote & Order Fax: 1-800-444-0602