



MFI1256 ON B55

Features

- Only 21" (533 mm) wide.
- Produces up to 1149 lbs (521 kg) of ice per day.
- SystemSafe load monitoring system constantly checks workload on gearbox - shutting down system before a problem develops and preventing costly repairs.
- Water sensor eliminates low or no water failures and cannot be affected by adverse water conditions.
- Rugged stainless steel evaporator and auger ensures reliability.
- Industrial-grade roller bearings and heavy-duty gearbox provide years of trouble-free service.

Options & Accessories

| WATER FILTERS | | | |
|-------------------|----------|-------------|--------|
| Ice Machine Model | Manifold | | Inline |
| | System | Replacement | System |
| MFI1256 | IFQ2 | IOMQ (2) | n/a |
| MFI1255 | | | |

Ice Maker Warranty

Every Ice-O-Matic ice maker is backed by a warranty that provides both parts and labor coverage.

- Three years **Parts** and **Labor**.
- Five years **Parts** coverage on the compressor.

Ice Form



FLAKED ICE

Bin Chart Kits for Combining Wider Bins with Smaller Models

| ICE STORAGE BINS | | | | | | | | | | |
|------------------|------------------|------------------|------------------|------------------|------------------|-------------------|------------------|-------------------|-------------------|-------------------|
| Model No. | B25 | B40 | B42 | B55 | B70-30 | B90-30 | B100 | B120 | B150 | B170 |
| Capacity | 242 lbs (110 kg) | 344 lbs (156 kg) | 351 lbs (160 kg) | 510 lbs (232 kg) | 741 lbs (337 kg) | 1023 lbs (465 kg) | 854 lbs (388 kg) | 1142 lbs (519 kg) | 1447 lbs (658 kg) | 1807 lbs (821 kg) |
| Width | 30 in (762 mm) | 30 in (762 mm) | 22 in (559 mm) | 30 in (762 mm) | 30 in (762 mm) | 30 in (762 mm) | 48 in (1219 mm) | 48 in (1219 mm) | 60 in (1524 mm) | 60 in (1524 mm) |
| MFI1256 | KBT19 | | KBT24 | KBT19 | n/a | | KBT23 | | n/a | |
| MFI1256 (2) | n/a | | | KBT22 | | | ●● | | | |
| MFI1255 | KBT19 | | KBT24 | KBT19 | | | KBT23 | | | |
| MFI1255 (2) | n/a | | | KBT22 | | | ●● | | | |

*See Ice-O-Matic Price List for Adapter Kits to combine ice makers with most available ice/beverage dispensers.

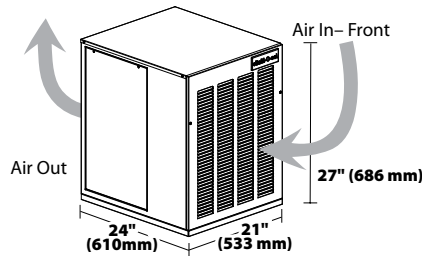
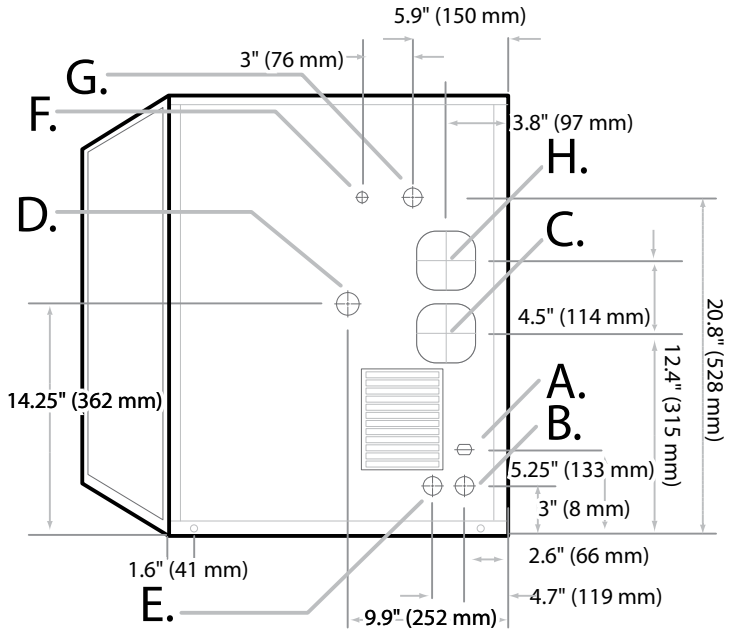
●● Kit not required. Hold down securement recommended.



Air Cooled

Please note: air-cooled units require 6" (152 mm) clearance for air intake and exhaust.

- A. Ice maker potable water in, 3/8" FPT.
- B. Drain, 3/4" FPT.
- C. Hole for electrical connection.
- D. Condenser inlet (water cooled only) 3/8" FPT.
- E. Condenser drain (water cooled only) 1/2" FPT.
- F. Liquid line, 3/8" male coupling for precharged line set (remote only).
- G. Discharge line, 1/2" male coupling for precharged line set (remote only).
- H. Remote condenser junction box (remote only).



Air, Water Cooled & Remote

60 Hz unit shown in drawing.

Operating Requirements

| | MINIMUM | MAXIMUM | |
|-------------------------|-------------------|--------------------|----------------|
| | | 60 Hz | 50Hz |
| Ambient Temp. Range Air | 50 °F (10 °C) | 100 °F (38 °C) | 110 °F (43 °C) |
| Water Temp. | 40 °F (4.4 °C) | | 90 °F (32 °C) |
| Water Pressure | 20 PSIG (1.4 BAR) | 120 PSIG (8.3 BAR) | |

Dimensions

| ALL MODELS | |
|-----------------|-----------------|
| W x D x H (in.) | 21 x 24 x 27 |
| W x D x H (mm) | 533 x 610 x 686 |

Specifications

| Model Number | Cond. Unit | Ice Production per 24 hrs | | Water Usage gallons per 100 lbs of Ice 90°F air/70°F water | | kWH Used per 100 lbs of ice @ 90°F air/ 70°F water | Voltage Characteristics | Min. Circuit Ampacity | Fuse Size | Approx. BTUs** per hour |
|--------------|------------|-------------------------------|-------------------------------|--|-----------|--|-------------------------|-----------------------|-----------|-------------------------|
| | | 70°F air/ 50°F water lbs (kg) | 90°F air/ 70°F water lbs (kg) | Potable | Condenser | | | | | |
| MF11256A★ | Air | 1149 (521) | 845 (383) | 12.0 | - | 3.4 | 208-230/60/1 | 11.8 | 15 | 9000 |
| MF11256W | Water | 1137 (516) | 959 (435) | | 70 | 2.7 | | | | |
| MF11256R★ | Remote* | 1054 (478) | 867 (393) | | - | 3.7 | | | | |
| MF11255A | Air | 1260 (572) | 900 (408) | | - | 3.25 | 230/50/1 | 13.4 | 20 | |
| MF11255W | Water | 1230 (558) | 1000 (454) | | 75 | 2.6 | | 13.1 | | |

*Requires GRC 1061 Condenser.

**BTUH is calculated to 0°F Evaporator, 100°F Condensing, and 33 PSIG. Value is estimated.

NOTES:

Number of Wires: 3 (including ground)
 Approx. Shipping Weight lbs (kg): MF11255A 215 (98) • MF11255W 230 (104) • MF11256A 215 (98) • MF11256W 210 (95) • MF11256R 230 (104)
 Refrigerant Type: R404A

★ENERGY STAR qualified machine. Please see our website www.iceomatic.com for the latest list of ENERGY STAR qualified machines and available rebates