



Profit from the Eagle Advantage®

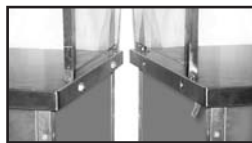
Specification Sheet

Short Form Specifications

Eagle Director's Choice® Carving Station Unit, model DCS2-CSU. Top to be 16/304 stainless steel turned down on all sides. 1½" square type 304 stainless steel all-welded tubular base. Fully mobile with 5" poly tread casters, two with brake. Quick release spring loaded docking device keeps adjoining units together. Fiberglass insulated 1" thick on all sides and 2" thick on bottom. Heating element prewired to thermostatic control with pilot light. Perforated adapter plate with a pair of four-prong meat spikes and ladle opening, removable for cleaning. Stainless steel gravy pan under adapter plate, removable for cleaning. Standard laminate front panel is holly berry red (Wilsonart® #D307-60). 1200 watts, 10.4 amps, 120/160/1 wired to a 6' cord and plug.



carving station
(shown with optional tray slide)



exclusive docking device joins units together without the use of tools

Options / Accessories

- Stainless steel end panels
- Stainless steel front panel
- Stainless steel tray slide*
- Work shelf**
- Bullet lamp
- Bullet lamp with sneeze-guard
- Specify laminate _____

* Available in solid ribbed, square tubular or round tubular. For front, rear, or ends.
** Available in hardwood, stainless steel, poly, or Richlite®. For front, rear, or ends.

EAGLE GROUP
100 Industrial Boulevard, Clayton, DE 19938-8903 USA
Phone: 302-653-3000 • Fax: 302-653-2065
www.eaglegrp.com

Foodservice Division: Phone 800-441-8440
MHC/Retail Display Divisions: Phone 800-637-5100

For custom configuration or fabrication needs, contact our **SpecFAB® Division**.
Phone: 302-653-3000 • Fax: 302-653-3091 • e-mail: specfab@eaglegrp.com

Item No.: _____
 Project No.: _____
 S.I.S. No.: _____

Director's Choice® Carving Station Unit

MODELS:
 DCS2-CSU

Design and Construction Features

- 30" (762mm)-wide top is constructed of 16 gauge type 304 stainless steel, die-formed, welded, and polished.
- Features perforated adapter plate with pair of four-prong meat spikes and ladle opening—removable for cleaning.
- Sloped gravy pan underneath adapter plate holds meat juices for basting or gravy—removable for cleaning.
- Fiberglass insulated—1" (25mm)-thick on all sides, and 2" (51mm)-thick on bottom.
- Welded 1½" (38mm) square tubular type 304 stainless steel base construction.
- 1200W, 10.4A, 120V operation wired to a 6' (1829mm) cord and NEMA 5-15P plug.
- Heating elements prewired to thermostatic control with pilot light.
- Quick-release spring-loaded docking device keeps adjoining units together without the use of tools.
- Fully mobile - standard 5" (127mm) casters, two with brake (brake casters on server side).
- Standard front holly berry red (Wilsonart® D307-60) laminate mounted on 18 gauge galvanized subpanel — two laminated end panels are included.
- All units accommodate optional accessories, including tray slides and work shelves. See Catalog Sheet EG33.07.

Certifications / Approvals

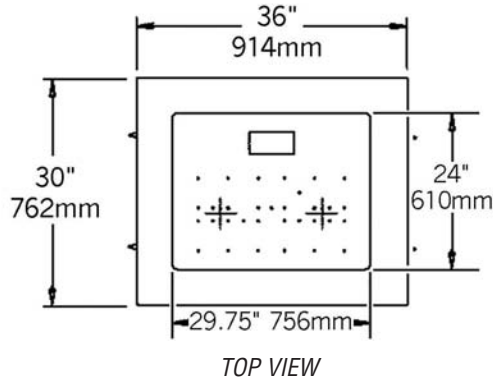
CUSTOM-BUILT

Spec sheets available for viewing, printing or downloading from our online literature library at www.eaglegrp.com

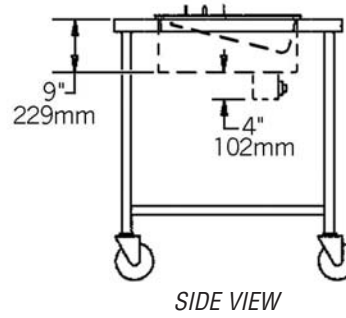
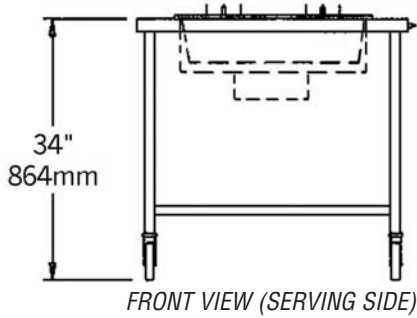
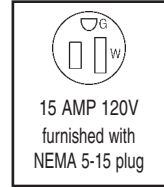


Item No.: _____
 Project No.: _____
 S.I.S. No.: _____

Director's Choice® Carving Station Unit



Receptacle Configuration



model #	electrical data	length		weight	
		in.	mm	lbs.	kg
DCS2-CSU	1200W, 120V, 10.4A	36"	914	275	124.7

Optional stainless steel front panel in lieu of laminate front panel available. To order, add suffix "-S" to model number. Example: DCS2-CSU-S
 Optional stainless steel end panels available. To order, add suffix "-SEP" to model number. Example: DCS2-CSU-SEP

EAGLE GROUP
 100 Industrial Boulevard, Clayton, DE 19938-8903 USA
 Phone: 302-653-3000 • Fax: 302-653-2065
 www.eaglegrp.com

Foodservice Division: Phone 800-441-8440
 MHC/Retail Display Divisions: Phone 800-637-5100

Printed in U.S.A.
 ©2008 by Eagle Group
 Rev. 08/08

Spec sheets available for viewing, printing or downloading from our online literature library at www.eaglegrp.com

Although every attempt has been made to ensure the accuracy of the information provided, we cannot be held responsible for typographical or printing errors. Information and specifications are subject to change without notice. Please confirm at time of order.