

NSF Ice Bin & Bottle Storage Combo Units
20" and 25" Wide Units



PRC-19-48LR
Shown



Item #: _____ Qty #: _____
 Model #: _____
 Project #: _____

FEATURES:

- 10.178" deep ice bin with 7" backsplash.
- 1 3/4" return with soda gun knock-out.
- Insulated storage bin(s) and ice bin.
- Welded partition between bins.
- Two removable injection molded 3-pack plastic bottle racks.
- Stainless steel top, apron & sides.
- Optional 10-circuit cold plate sealed into bottom of ice bin.
- Adjustable side cross-bracing

PRC-24 Series has rear deck for extra storage.

Units with Cold Plates include a soda line chase at top of splash on right & left ends (For units without Cold Plates, add **Model # SU-30**).

**Bottle Racks Must Be Removed For NSF Compliance
 And For Use With Optional Cover.**

MECHANICAL:

- 1" IPS drain - non cold plate bin
- 1/2" IPS drain - cold plate bin

MATERIAL:

- 20 gauge, 300 stainless steel
- Legs:** 1 5/8" O.D. 18 gauge, 300 stainless steel legs with 1" adjustable stainless steel bullet feet
- Cold Plate:** Cast aluminum with 10 circuits (8 syrup and 2 water lines) with 5/16" diameter stainless steel bump and swedge ends.
- Ice Bin Insulation:** 2 lbs. density foam-in-place

OPTIONAL:

- PRA-SSC-12** - Sliding cover for 12" ice bin
- PRA-SSC-24** - Sliding cover for 24" ice bin
- PRA-SSC-30** - Sliding cover for 30" ice bin
- PRA-SSC-36** - Sliding cover for 36" ice bin



Optional Sliding
Stainless Steel
Cover Shown

For More Accessories & Modifications, Visit Us At www.advancetabco.com.

20" WIDE Model #	Approx. Weight	Approx. Cu. Ft.	25" WIDE Model #	Approx. Weight	Approx. Cu. Ft.	O.A. Length (A)	Distance To Drain (B)/(C)	# of Ind. Bins	Ice Bin Capacity*
PRC-19-36L or R	90 lbs.	12	PRC-24-36L	105 lbs.	12	36"	12" / 30"	2	70/32 lbs.
PRC-19-42L or R	105 lbs.	14	PRC-24-42L	110 lbs.	14	42"	15" / 36"	2	89/32 lbs.
PRC-19-48L or R	115 lbs.	16	PRC-24-48L	120 lbs.	16	48"	18" / 42"	2	108/32 lbs.
PRC-19-48LR	145 lbs.	16	PRC-24-48LR	160 lbs.	16	48"	N/A	3	32/70/32 lbs.
PRC-19-54LR	150 lbs.	18	PRC-24-54LR	165 lbs.	18	54"	N/A	3	32/89/32 lbs.
PRC-19-60LR	155 lbs.	20	PRC-24-60LR	170 lbs.	20	60"	N/A	3	32/108/32 lbs.

With 10-Circuit Cold Plate

PRC-19-36L-10 or R-10	160 lbs.	12	PRC-24-36L-10	165 lbs.	12	36"	12" / 30"	2	70/32 lbs.
PRC-19-42L-10 or R-10	170 lbs.	14	PRC-24-42L-10	175 lbs.	14	42"	15" / 36"	2	89/32 lbs.
PRC-19-48L-10 or R-10	180 lbs.	16	PRC-24-48L-10	185 lbs.	16	48"	18" / 42"	2	108/32 lbs.
PRC-19-48LR-10	180 lbs.	16	PRC-24-48LR-10	195 lbs.	16	48"	N/A	3	32/70/32 lbs.
PRC-19-54LR-10	185 lbs.	18	PRC-24-54LR-10	200 lbs.	18	54"	N/A	3	32/89/32 lbs.
PRC-19-60LR-10	190 lbs.	20	PRC-24-60LR-10	205 lbs.	20	60"	N/A	3	32/108/32 lbs.

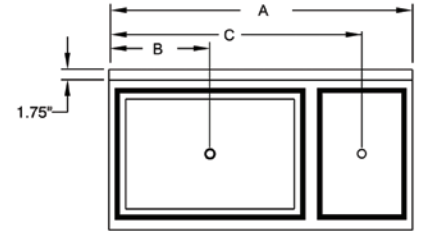
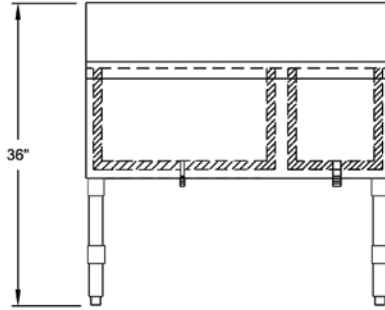
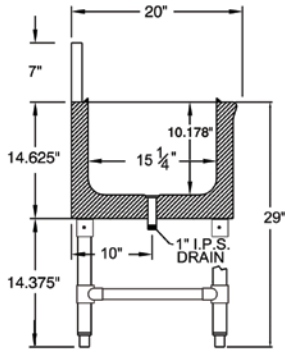
*Reverse ice bin capacities for L or R models
 L and R indicate ice bin location on either left or right side. LR indicates ice bin is centered.

DIMENSIONS and SPECIFICATIONS

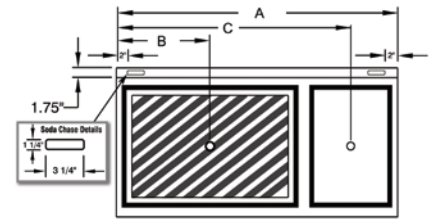
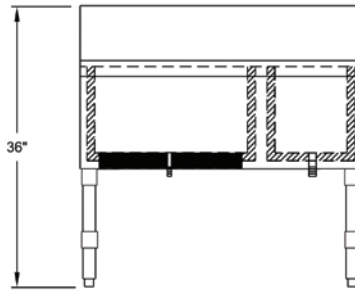
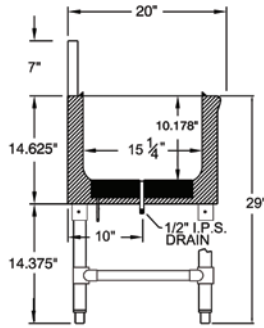
TOL Overall: ± .500" Interior: ± .250"

ALL DIMENSIONS ARE TYPICAL

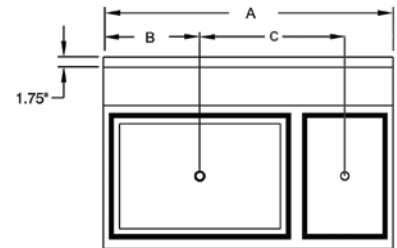
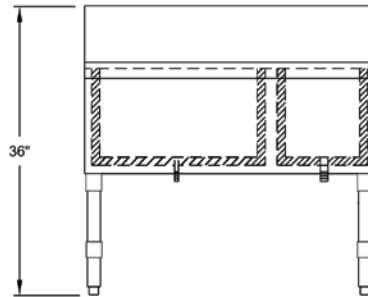
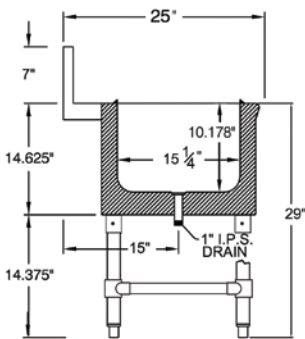
PRC-19 Series



PRC-19 Series With 10-Circuit Cold Plate



PRC-24 Series



PRC-24 Series With 10-Circuit Cold Plate

