

# BACK BAR STORAGE DRY STORAGE BACK BAR CABINETS

MODEL: \_\_\_\_\_ PROJECT: \_\_\_\_\_ ITEM #: \_\_\_\_\_ QTY: \_\_\_\_\_

## PRODUCT IMAGE



BD48-SSS-LR SHOWN with  
OPTIONAL 1" TOP and KICK PLATES

**AVAILABLE IN 24", 48" & 72" SIZES**

## STANDARD FEATURES

- **Top**  
18 gauge galvanized sub top  
Optional 20 gauge stainless steel top
- **Sides**  
20 gauge stainless steel
- **Doors**  
Black vinyl or 20 gauge stainless steel (foamed-in-place)
- **Back and Bottom**  
20 gauge galvanized back. 18 gauge galvanized bottom
- **Interior**  
24" Model: 20 gauge galvanized steel  
48" & 72" Models: 20 gauge stainless steel  
Two adjustable epoxy coated shelves and floor rack per door
- **Exterior**  
Black Vinyl Clad Models: 20 gauge stainless steel  
Stainless Steel Models: 20 gauge stainless steel
- **Insulation**  
2" thick foamed-in-place polyurethane

## OPTIONAL ACCESSORIES

- **BS-100** Four 6" Stainless Steel Legs
- **BS-101** Six 6" Stainless Steel Legs (72" model)
- **BS-102** Four 4" Stainless Steel Legs
- **BS-103** Six 4" Stainless Steel Legs (72" model)
- **BS-106** Left Side Stainless Steel Kick Plate
- **BS-107** Right Side Stainless Steel Kick Plate
- **BS-124** 24" Stainless Steel Front Kick Plate
- **BS-148** 48" Stainless Steel Front Kick Plate
- **BS-172** 72" Stainless Steel Front Kick Plate
- **BC-130** Four 1" Ultra Low profile casters with Brakes
- **BC-131** Six 1" Ultra Low profile casters with Brakes (72" model)
- **BC-132** Four 2" Low profile casters with Brakes
- **BC-133** Six 2" Low profile casters with Brakes (72" model)
- **BC-134** Four 3" casters with Brakes
- **BC-135** Six 3" casters with Brakes (72" model)

### APPROVED BY:

### CERTIFICATIONS:

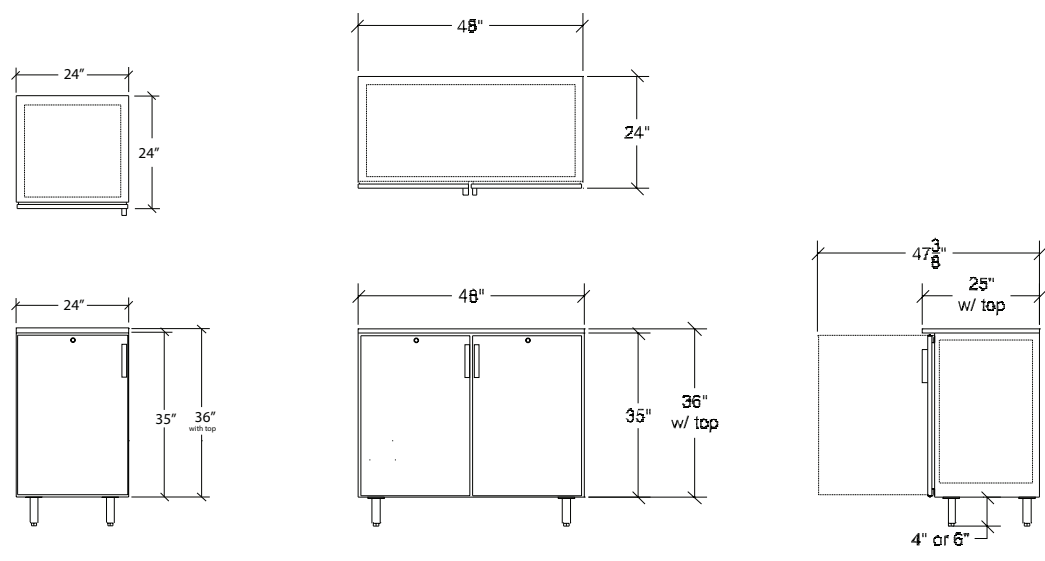
Due to our commitment to continued product improvement, specifications are subject to change without notice.

# REFRIGERATION

## DRY STORAGE BACK BAR CABINETS

MODEL: \_\_\_\_\_ PROJECT: \_\_\_\_\_ ITEM #: \_\_\_\_\_ QTY: \_\_\_\_\_

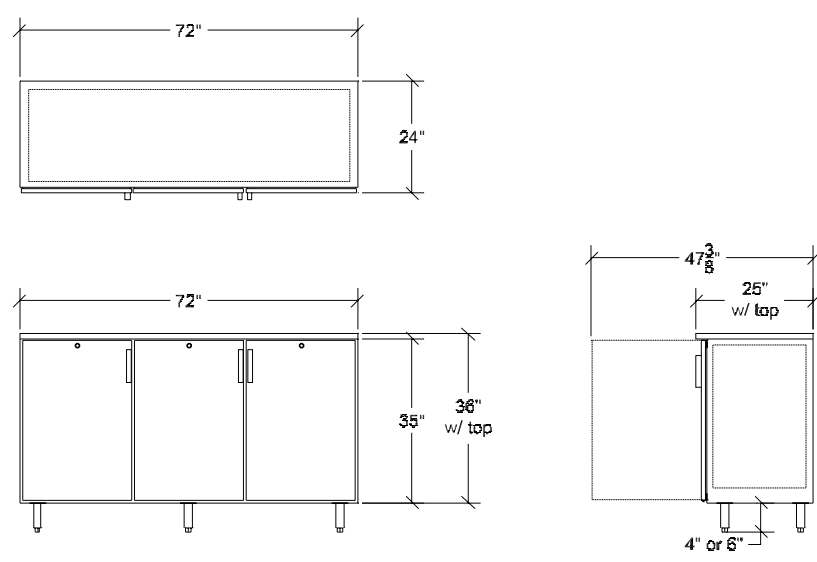
### ONE DOOR (24") or TWO DOOR (48")



**BD24**  
120 lbs.  
140 lbs. with Top

**BD48**  
260 lbs.  
280 lbs. with Top

### THREE DOOR (72")



375 lbs.  
400 lbs. with Top

**Note:** Optional casters raise height 1" higher than wheel size  
**Note:** Optional 4" or 6" legs available

**APPROVED BY:** \_\_\_\_\_

**CERTIFICATIONS:**

Due to our commitment to continued product improvement, specifications are subject to change without notice.