

# BASE MODEL SANDWICH UNITS

## Model: CRA60-18M-D

### 60" Mighty Top Base Model Sandwich Unit Refrigerator with Drawers - 18 Pans

Heavy gauge #300 Series stainless steel top, stainless steel front and end panels, galvanized steel rear and grill and aluminum interior.  
**Certified under NSF-7 to maintain temperatures in 86°F ambient and designed to maintain NSF-7 temperatures in 100°F ambient.**



#### Options and Accessories

(upcharge and lead times may apply)

Door in lieu of drawers (larger width section)	Expansion valve system
Drawer section above the condensing unit*	Stainless steel shelves
Overshelves (single or double)	Flat insulated night cover
Condensing unit left or right	Remote models
Additional epoxy-coated steel shelves	Door/drawers locks
Automatic, electric condensate evaporator	Adjustable legs
Exterior dial or digital thermometer	Crumb catcher
Rear-mounted cutting board	Front breathing
Stainless steel pan slides (larger width section only)	

\*Drawer section above condensing unit holds (1) 12 x 20 x 6 pan

**Continental**  
 Refrigerator

Toll-Free: 800-523-7138  
 Phone: 215-244-1400  
 Fax: 215-244-9579

539 Dunksferry Road  
 Bensalem, PA 19020  
[www.continentalrefrigerator.com](http://www.continentalrefrigerator.com)

Project Name:

Model Specified:

Location:

Item No:

Quantity:

AIA #:

SIS #:

#### Standard Model Features

##### REFRIGERATION SYSTEM

Performance-rated refrigeration system

Environmentally-safe R-134a refrigerant

Unique air flow distribution allows pan product to maintain 33° - 41°F

Automatic, energy saving, non-electric condensate evaporator

Non-corrosive, plasticized fin evaporator coil

Easily serviceable, slide-out condensing unit

##### CABINET ARCHITECTURE

2" non-CFC polyurethane foam insulation

Spring loaded, self closing doors

Magnetic snap-in door/drawer gaskets

Heavy-duty, epoxy-coated steel shelves

Stainless steel roll-out drawers

10" deep, full length nylon cutting board

Insulated lid

5" casters

Completely enclosed, vented and removable rear and side grills

Refrigerated door section above the condensing unit

##### MODEL FEATURES

(18) 1/6 size non-recessed pans, 4" deep

Interior hanging thermometer

Field rehingeable doors

**NOTE:** CRA60-D models come standard with a door over the condensing unit, a smaller width solid door on the left section and a larger width solid door in the center section. A drawer over the condensing unit is an option. The option of having the doors located in the opposite sections **MUST** be indicated at the time of ordering.

APPROVAL:

## Model Specifications

### DIMENSIONAL DATA

Net Capacity (cu. ft.)	19 (538 cu l)
1/6 Size Pans (4" deep)	18
Width, Overall (in.)	60 (1524 mm)
Depth, Overall (in.) (incl. handles & bumpers)	36 1/16 (916 mm)
Depth, Cutting Board (in.)	10 (254 mm)
Height, Overall (in.) (incl. 5" casters)	42 (1067 mm)
Shelf Area (sq. ft.)	5.6 (.5 sq m)
No. of Shelves	2
No. of Full Doors / Drawers	1 / 2
No. of Half Doors	1
Interior Depth (in.)	30 (762 mm)
Interior Height (in.) (smaller section)	26 (660 mm)
Interior Height (in.) (above condenser)	12 1/2 (318 mm)
Interior Width (in.) (smaller section)	17 (422 mm)
Interior Width (in.) (above condenser)	17 (422 mm)

### REFRIGERANT DATA

Condensing Unit Size (H.P.)	1/3
Capacity (BTU/Hr)*	2300

### ELECTRICAL DATA

Voltage (int'l)	115/60/1 (220/50/1)
Fans	3
Total Amps (int'l)	6.7 (3.2)
10 ft. Cord/Plug [attached] (int'l)	Yes (No)

### SHIPPING DATA

Weight (lbs.)	420 (191 kg)
Height - Crated (in.)	43 3/4 (1111 mm)
Width - Crated (in.)	62 (1575 mm)
Depth - Crated (in.)	47 (1194 mm)

### DRAWER PAN CONFIGURATIONS

**Two Tier:** (1) 12 x 20 x 6 pan & (3) 1/6 x 6 pans (top)  
(2) 12 x 20 x 6 pans (bottom). Three tier not available.

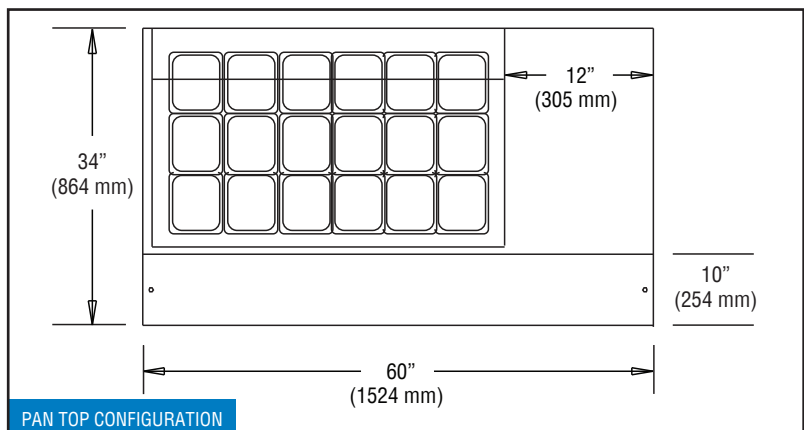
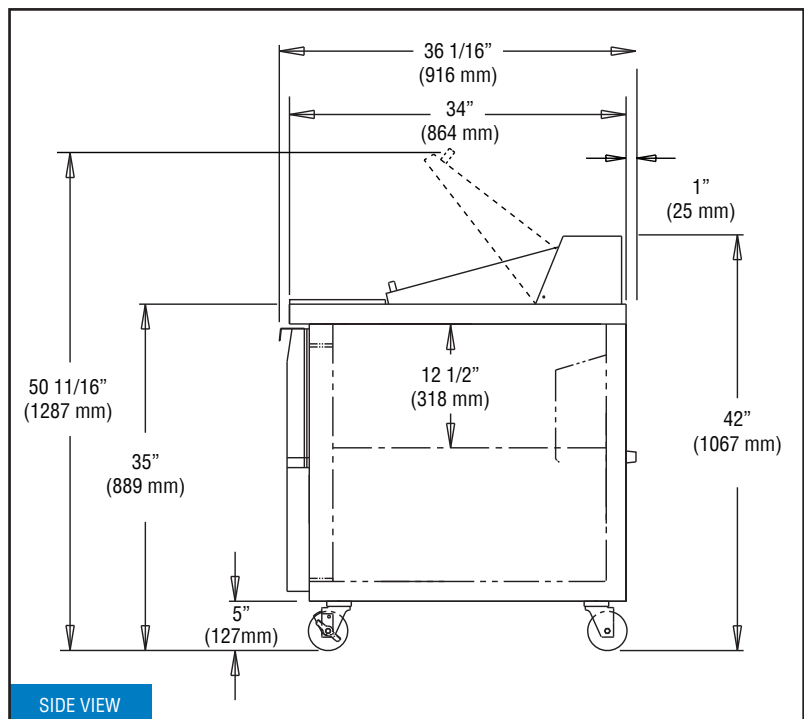
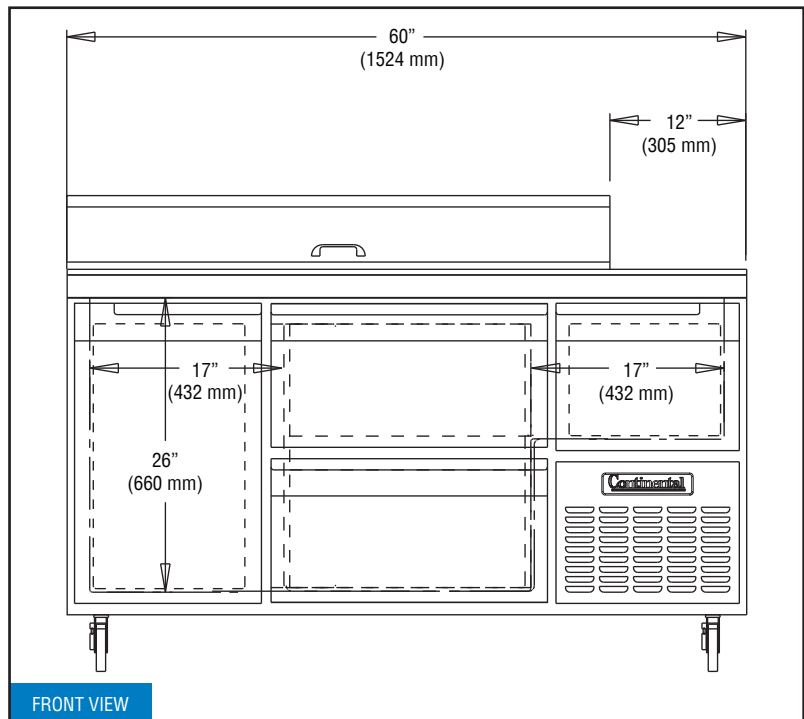
\* Rating @ +25°F evaporator, 90°F ambient

Figures in parentheses reflect metric equivalents rounded to the nearest whole unit.



Equipped with one NEMA-5-15P Plug  
(varies by country)

## Model Plan Views



**Continental**  
Refrigerator

Toll-Free: 800-523-7138  
 Phone: 215-244-1400  
 Fax: 215-244-9579

539 Dunkserry Road  
 Bensalem, PA 19020  
[www.continentalrefrigerator.com](http://www.continentalrefrigerator.com)

Due to our continued efforts in developing innovative products, specifications subject to change without notice.



© Copyright 2014. Continental Refrigerator.  
 A Division of National Refrigeration & Air Conditioning Products, Inc.