



a Standex company

ITEM: \_\_\_\_\_ PROJECT NAME: \_\_\_\_\_ DATE: \_\_\_\_\_

## SELF-SERVE REFRIGERATED PREPARED FOODS MERCHANDISER

- MODEL  SSRPF-3652  
 SSRPF-5052  
 SSRPF-5952  
 SSRPF-7752



*Designed for those customers looking for up-market styling for maximum visual appeal that will drive product sales. Cases are available in lengths of 36", 50", 59", and 77".*

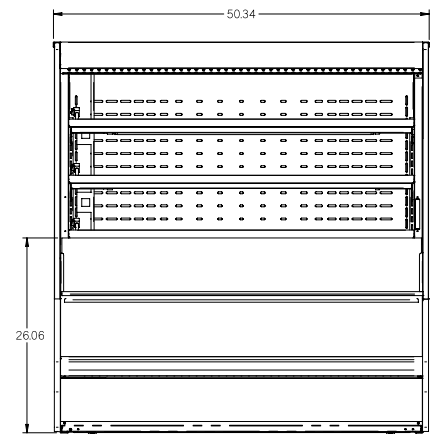
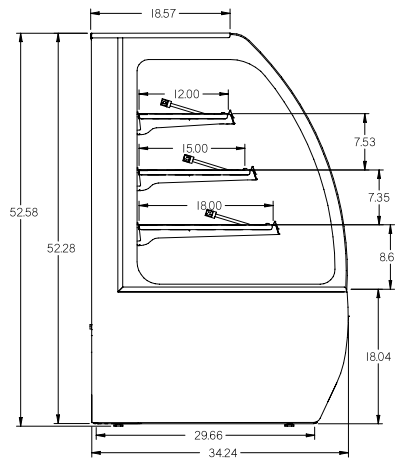
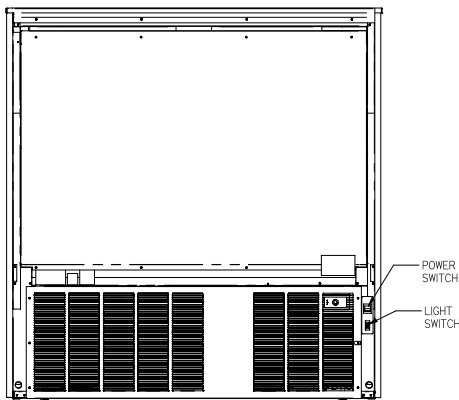
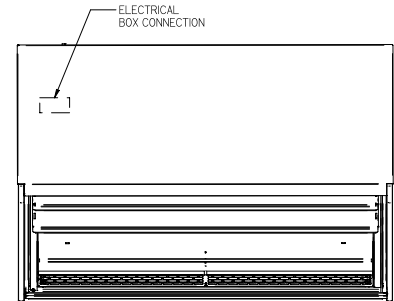
### STANDARD FEATURES

- Steel base construction with black laminated exterior. Other finishes optional.
- Black interior, glass end panels.
- Horizontal shielded top LED light and undershelf lights.
- Three tiers adjustable metal shelves.
- Adjustable leg levelers.
- Thermometer.
- On-demand PTC condensate evaporator provided for a totally self-contained system.
- Easy clean, rustproof insulated evaporator coil compartment.
- Easily accessible light and power switch.
- Electronic temperature control maintains 38° to 40°F with on-demand defrost. Note: Case temperature will vary if the air curtain is disrupted.
- Rear access to the refrigeration system for quick and easy service.
- The rear of the display needs to be 6" from the wall.
- R404 Refrigerant.
- UL Safety and UL Sanitation Listed.
- DOE 2012 Compliant.

# SELF-SERVE REFRIGERATED PREPARED FOODS MERCHANDISER

## OPTIONAL ACCESSORIES:

- Reflective End Glass
- Special Exterior Finish
- Glass Shelves
- White or Stainless Interior (Including Shelves)
- Security Night Cover
- Solid Rear Sliding Access Doors
- Cord and Plug (NEMA 5-15P/59" & 77" 15-20P)
- Remote Refrigeration
- Recessed Casters
- Condensate Pump
- Joining Kit for Continuous Line-ups
- Energy Saving Night Curtain
- Front Non-Refrigerated Display Merchandiser
- Legs



## SPECIFICATIONS:

Model	Dimensions L W H	Shipping Weight (lbs)	Self-Contained with Condensate Pan	Remote 120/60/1 with Condensate Pan
<input type="checkbox"/> SSRPF-3652	36" x 34" x 52"	590	120/60/1 • 1/3 HP • 15 AMPS	9 AMPS
<input type="checkbox"/> SSRPF-5052	50" x 34" x 52"	720	230/60/1 • 1/2 HP • 10 AMPS	10 AMPS
<input type="checkbox"/> SSRPF-5952	59" x 34" x 52"	845	230/60/1 • 1/2 HP • 15 AMPS	13 AMPS
<input type="checkbox"/> SSRPF-7752	77" x 34" x 52"	1,010	230/60/1 • 3/4 HP • 15 AMPS	14 AMPS

- Case temperature will vary if the air curtain is disrupted.
- The rear of the unit needs to be 6" from a wall.
- Electrical Requirement - The minimum circuit ampacity and maximum fuse size is 20 amps.
- Refrigerated cases are designed to operate in a maximum environment of 75°F ambient and 55% relative humidity.
- Due to continuing engineering improvements, specifications are subject to change without notice.



*The Signature of Quality*

**FEDERAL INDUSTRIES**  
A Standex Company

215 FEDERAL AVENUE, BELLEVILLE, WISCONSIN 53508-9201

PHONE: 800-356-4206

EMAIL: geninfo@federalind.com

FAX: 608-424-3234

WEBSITE: www.federalind.com

