



Project \_\_\_\_\_  
 Item # \_\_\_\_\_  
 Quantity \_\_\_\_\_

## Glo-Ray® Designer Buffet Warmers

Models: GR2BW-24, -30, -36, -42, -48, -54, -60, -66, -72

Hatco Glo-Ray® Designer Buffet Warmer is designed to safely keep food at optimum serving temperatures.

Combining state-of-the-art design with performance, these buffet warmers place the focus on the product while holding and protecting food. The modern design is perfect for front-of-the-house use, with seven Designer powdercoated colors available to blend into any décor.

### Standard features

- Pre-focused infrared top heat directs heat to the outer edges of the holding surface where heat loss is the greatest
- Thermostatically-controlled hardcoated heated base has a temperature range of 80° to 200°F (27°-93°C)
- Widths available from 30.25" - 78.25" (768-1988 mm)
- Unit comes standard with black inset panels
- Features a 6' (1829 mm) cord and plug set
- Shatter-resistant incandescent lights enhance product display while safeguarding food products from bulb breakage
- Sturdy plexi-glass sneeze guards provide a safe environment
- Metal Sheathed Elements guaranteed against burnout and breakage for two years



GR2BW-30 with accessory food pans

GR2BW-30 in optional Designer color with accessory food pans

### Options (available at time of purchase only)

#### Designer Colors

Non-standard colors are non-returnable – Clear Anodized Aluminum standard

- Warm Red     Black     Gray Granite     White Granite  
 Navy Blue     Hunter Green     Antique Copper

#### Designer Color Inset Panel Colors

Non-standard colors are non-returnable – Black standard

- Warm Red     Gray Granite     White Granite  
 Navy Blue     Hunter Green     Antique Copper

Dark Gray Corner Caps – Non-standard colors are non-returnable – Black standard

Two Plexi-Glass Side Enclosures

Infinite Control for top heat only (GR2BW-24 through GR2BW-60 only)

14" (356 mm) Sneeze Guard in lieu of standard 7.5" (191 mm)

### Accessories

4" (102 mm) Designer Legs for GR2BW-24 models (standard on GR2BW-30 or larger)

Trivets - stainless steel

- Half-size 10.2"W x 7.6"D x" (259 x 194 mm)  
 Full-size 10.125"W x 18"D x (257 x 457 mm)

Stainless steel food holding pans

- Third-size 12.75"W x 6.9" D x 2.5"H (324 x 175 x 64 mm)  
 Half-size 12.75"W x 10.4"D x 2.5"H (324 x 264 x 64 mm)  
 Full-size 12.75"W x 20.75"D x 2.5"H (324 x 527 x 64 mm)  
 Full-size 12.75"W x 20.75"D x 4"H (324 x 527 x 102 mm)



HATCO CORPORATION | P.O. Box 340500 Milwaukee, WI 53234-0500 U.S.A.

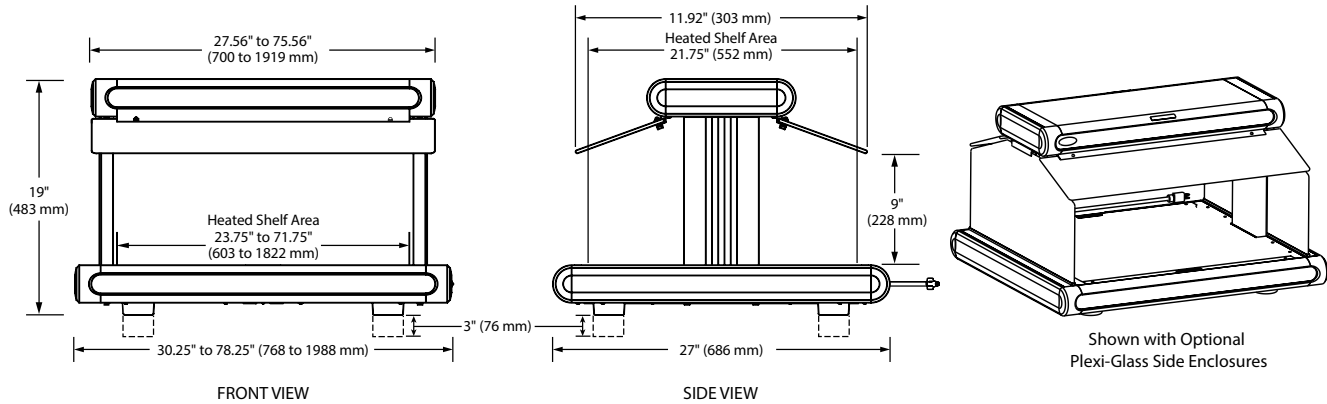
(800) 558-0607 | (414) 671-6350 | www.hatcocorp.com | equipsales@hatcocorp.com | intl@hatcocorp.com



# Glo-Ray® Designer Buffet Warmers

Models: GR2BW-24, -30, -36, -42, -48, -54, -60, -66, -72

## GR2BW



## SPECIFICATIONS Glo-Ray® Designer Buffet Warmers

The shaded areas contain electrical information for International models

| Model*       | Number of Light Bulbs | Dimensions<br>W x D x H<br>(height includes legs)                  | Maximum Full Size Pan Capacity<br>12.75"W x 20.75"D<br>(324 x 527 mm) | Volts        | Watts     | Amps    | Plug Configuration | Ship Weight*      |
|--------------|-----------------------|--|---|--------------|-----------|---------|--------------------|-------------------|
| GR2BW-24     | 2                     | 30.25" x 27" x 19"<br>(768 x 686 x 483 mm)<br>on 1" (25 mm) legs   | 1 full size pan   | 100          | 934       | 9.3     | NEMA 5-15P         | 76 lbs. (35 kg.)  |
|              |                       |  |   | 120          |           |         | NEMA 5-15P         |                   |
|              |                       |  |   | 120/208      | 970       | 4.2     | NEMA L14-20P       |                   |
|              |                       |  |   | 120/240      |           |         |                    |                   |
|              |                       |  |   | 220          | 950       | 4.3     | CEE 7/7 Schuko     |                   |
|              |                       |  |   | 240          | 970       | 4.1     | BS-1363            |                   |
|              |                       |  |   | 220-230 (CE) | 950-1038  | 4.3-4.5 | CEE 7/7 Schuko     |                   |
| 230-240 (CE) | 891-970               | 3.9-4.1  | BS-1363   |              |           |         |                    |                   |
| GR2BW-30*    | 2                     | 36.25" x 27" x 22"<br>(921 x 686 x 559 mm)<br>on 4" (102 mm) legs  | 2 full size pans  | 100          | 1194      | 11.9    | NEMA 5-15P         | 85 lbs. (39 kg.)  |
|              |                       |  |   | 120          |           |         | NEMA 5-15P         |                   |
|              |                       |  |   | 120/208      | 1230      | 5.5     | NEMA L14-20P       |                   |
|              |                       |  |   | 120/240      |           |         |                    |                   |
|              |                       |  |   | 220          | 1210      | 5.5     | CEE 7/7 Schuko     |                   |
|              |                       |  |   | 240          | 1230      | 5.1     | BS-1363            |                   |
|              |                       |  |   | 220-230 (CE) | 1210-1322 | 5.5-5.7 | CEE 7/7 Schuko     |                   |
| 230-240 (CE) | 1129-1230             | 4.9-5.1  | BS-1363   |              |           |         |                    |                   |
| GR2BW-36*    | 2                     | 42.25" x 27" x 22"<br>(1073 x 686 x 559 mm)<br>on 4" (102 mm) legs | 2 full size pans  | 100          | 1434      | 14.3    | NEMA 5-15P         | 97 lbs. (44 kg.)  |
|              |                       |  |   | 120          |           |         | NEMA 5-15P ▲       |                   |
|              |                       |  |   | 120/208      | 1470      | 6.7     | NEMA L14-20P       |                   |
|              |                       |  |   | 120/240      |           |         |                    |                   |
|              |                       |  |   | 220          | 1450      | 6.6     | CEE 7/7 Schuko     |                   |
|              |                       |  |   | 240          | 1470      | 6.1     | BS-1363            |                   |
|              |                       |  |   | 220-230 (CE) | 1450-1585 | 6.6-6.9 | CEE 7/7 Schuko     |                   |
| 230-240 (CE) | 1350-1470             | 5.9-6.1  | BS-1363   |              |           |         |                    |                   |
| GR2BW-42*    | 4                     | 48.25" x 27" x 22"<br>(1226 x 686 x 559 mm)<br>on 4" (102 mm) legs | 3 full size pans  | 120          | 1790      | 14.9    | NEMA 5-15P ▲       | 110 lbs. (50 kg.) |
|              |                       |  |   | 120/208      |           |         | NEMA L14-20P       |                   |
|              |                       |  |   | 120/240      | 1750      | 7.9     | CEE 7/7 Schuko     |                   |
|              |                       |  |   | 220          |           |         | 1790               |                   |
|              |                       |  |   | 240          | 1790      | 7.5     | BS-1363            |                   |
|              |                       |  |   | 220-230 (CE) | 1750-1913 | 7.9-8.3 | CEE 7/7 Schuko     |                   |
|              |                       |  |   | 230-240 (CE) | 1644-1790 | 7.1-7.5 | BS-1363            |                   |

\* When no color is specified, color inset panels and corner caps will be black.

\* Shipping weight includes packaging.

♦ NSF requires units over 36" (914 mm) in width or weighing more than 80 lbs. (36 kg) be either sealed to, or raised on the installation surface with 4" (102 mm) legs (included).

▲ NEMA 5-20P for Canada.

HATCO CORPORATION | P.O. Box 340500 Milwaukee, WI 53234-0500 U.S.A.

(800) 558-0607 | (414) 671-6350 | www.hatcocorp.com | equipsales@hatcocorp.com | intl@hatcocorp.com



# Glo-Ray® Designer Buffet Warmers

Models: GR2BW-24, -30, -36, -42, -48, -54, -60, -66, -72

## SPECIFICATIONS Glo-Ray® Designer Buffet Warmers

The shaded areas contain electrical information for International models

| Model*       | Number of Bulbs | Dimensions<br>W x D x H<br>(height includes legs)                  | Maximum Full Size Pan Capacity<br>12.75"W x 20.75"D<br>(324 x 527 mm) | Volts        | Watts     | Amps      | Plug Configuration | Ship Weight*      |
|--------------|-----------------|--|---|--------------|-----------|-----------|--------------------|-------------------|
| GR2BW-48♦    | 4               | 54.25" x 27" x 22"<br>(1378 x 686 x 559 mm)<br>on 4" (102 mm) legs | 3 full size pans  | 120          | 2040      | 17.0      | NEMA 5-20P §       | 125 lbs. (57 kg.) |
|              |                 |  |   | 120/208      |           | 9.2       | NEMA L14-20P       |                   |
|              |                 |  |   | 120/240      |           | 9.1       | CEE 7/7 Schuko     |                   |
|              |                 |  |   | 220          | 2000      | 8.5       | BS-1363            |                   |
|              |                 |  |   | 240          | 2040      | 8.5       | BS-1363            |                   |
|              |                 |  |   | 220-230 (CE) | 2000-2186 | 9.1-9.5   | CEE 7/7 Schuko     |                   |
|              |                 |  |   | 230-240 (CE) | 1873-2040 | 8.1-8.5   | BS-1363            |                   |
| GR2BW-54♦    | 4               | 60.25" x 27" x 22"<br>(1530 x 686 x 559 mm)<br>on 4" (102 mm) legs | 4 full size pans  | 120          | 2290      | 19.1      | NEMA 5-20P §       | 130 lbs. (59 kg.) |
|              |                 |  |   | 120/208      |           | 10.4      | NEMA L14-20P       |                   |
|              |                 |  |   | 120/240      |           | 10.2      | CEE 7/7 Schuko     |                   |
|              |                 |  |   | 220          | 2250      | 9.5       | BS-1363            |                   |
|              |                 |  |   | 240          | 2290      | 9.5       | BS-1363            |                   |
|              |                 |  |   | 220-230 (CE) | 2250-2459 | 10.2-10.7 | CEE 7/7 Schuko     |                   |
|              |                 |  |   | 230-240 (CE) | 2103-2290 | 9.1-9.5   | BS-1363            |                   |
| GR2BW-60♦    | 6               | 66.25" x 27" x 22"<br>(1683 x 686 x 559 mm)<br>on 4" (102 mm) legs | 4 full size pans  | 120/208      | 2660      | 11.7      | NEMA L14-20P       | 154 lbs. (70 kg.) |
|              |                 |  |   | 120/240      |           |           |                    |                   |
|              |                 |  |   | 220          | 2600      | 11.8      | CEE 7/7 Schuko     |                   |
|              |                 |  |   | 240          | 2660      | 11.1      | BS-1363            |                   |
|              |                 |  |   | 220-230 (CE) | 2600-2850 | 11.8-12.4 | CEE 7/7 Schuko     |                   |
| 230-240 (CE) | 2443-2660       | 10.6-11.1  | BS-1363   |              |           |           |                    |                   |
| GR2BW-66♦    | 6               | 72.25" x 27" x 22"<br>(1835 x 686 x 559 mm)<br>on 4" (102 mm) legs | 5 full size pans  | 120/208      | 2920      | 13.0      | NEMA L14-20P       | 169 lbs. (77 kg.) |
|              |                 |  |   | 120/240      |           |           |                    |                   |
|              |                 |  |   | 220          | 2860      | 13.0      | CEE 7/7 Schuko     |                   |
|              |                 |  |   | 240          | 2920      | 12.2      | BS-1363            |                   |
|              |                 |  |   | 220-230 (CE) | 2860-3126 | 13.0-13.6 | CEE 7/7 Schuko     |                   |
| 230-240 (CE) | 2681-2920       | 11.7-12.2  | BS-1363   |              |           |           |                    |                   |
| GR2BW-72♦    | 6               | 78.25" x 27" x 22"<br>(1988 x 686 x 559 mm)<br>on 4" (102 mm) legs | 5 full size pans  | 120/208      | 3185      | 14.4      | NEMA L14-20P       | 186 lbs. (84 kg.) |
|              |                 |  |   | 120/240      |           |           |                    |                   |
|              |                 |  |   | 220          | 3125      | 14.2      | CEE 7/7 Schuko     |                   |
|              |                 |  |   | 240          | 3185      | 13.3      | Cord without Plug  |                   |
|              |                 |  |   | 220-230 (CE) | 3125-3416 | 14.2-14.8 | CEE 7/7 Schuko     |                   |
| 230-240 (CE) | 2925-3185       | 12.7-13.3  | Cord without Plug   |              |           |           |                    |                   |

\* When no color is specified, color inset panels and corner caps will be black.

\* Shipping weight includes packaging.

♦ NSF requires units over 36" (914 mm) in width or weighing more than 80 lbs. (36 kg) be either sealed to, or raised on the installation surface with 4" (102 mm) legs (included).

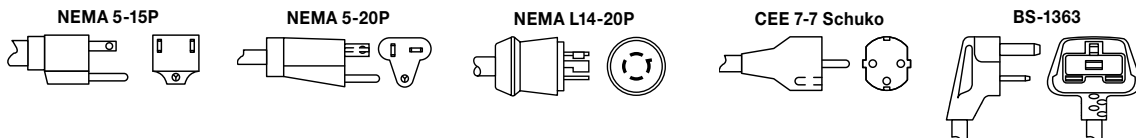
§ Not available in Canada.

### CORD LOCATION

Base end plate, same side as switch.

### PLUG CONFIGURATIONS

Please refer to electrical specification chart.



### PRODUCT SPECS

#### Glo-Ray® Designer Buffet Warmer

The infrared Designer Buffet Warmer shall be a Glo-Ray® Model ... as manufactured by the Hatco Corporation, Milwaukee, WI 53234 U.S.A.

The warmer shall be rated at ... watts, ... volts, and be ... inches (millimeters) in overall width. It shall consist of a thermostatically-controlled heated base, sneeze guard(s), Designer color inset panels, and incandescent display lights.

The infrared heating element shall be tubular metal sheathed and the warmer shall have a cord with plug attached.

Accessories shall include 4" (102 mm) adjustable legs, stainless steel food pans, and stainless steel trivets.

Warranty consists of 24/7 parts and service assistance (U.S. and Canada only).

HATCO CORPORATION | P.O. Box 340500 Milwaukee, WI 53234-0500 U.S.A.

(800) 558-0607 | (414) 671-6350 | www.hatcocorp.com | equipsales@hatcocorp.com | intl@hatcocorp.com