



# DROP-IN ICE-COOLED UNITS



Drop-in Cold pan units can be placed in existing countertops and other work areas to house items that need to be kept ice cooled. Perfect for cold bar items such as bottle drinks or salad bar items.

## FEATURES:

9" deep Ice bin with fiberglass insulation  
1" diameter drain

## MATERIAL:

**TOP:** 18 gauge #304 stainless steel self rimmed  
**ICE BIN:** 20 gauge #300 stainless steel self rimmed  
**JACKET:** 20 gauge galvanized steel  
**INSULATION:** Styrofoam on sides, polyurethane foam on bottom  
**MOLDING:** Extruded black polyethylene thermal breaker

## PLUMBING:

Drain is 1" I.P.S.

Item #:	_____	Qty #:	_____
Model #:	_____		
Project #:	_____		



**DICP-2 Shown**

## STANDARD SERIES

Model #	O.A. Length (L)	O.A. Width (W)	Inside Length (B)	Body Length (C)	Cut-Out Size (Unit)	Ice Capacity (lbs)	Weight (lbs)	Cubic Feet
DICP-1	18-13/16"	26-3/4"	12-3/16"	16-15/16"	23-3/8" x 17-1/4"	45	85 lbs.	6
DICP-2	34-1/8"	26-3/4"	27-1/2"	32-1/4"	23-3/8" x 32-5/8"	93	88 lbs.	10
DICP-3	49-7/16"	26-3/4"	42-3/4"	47-9/16"	23-3/8" x 47-7/8"	141	110 lbs.	14
DICP-4	64-3/4"	26-3/4"	58-1/8"	62-7/8"	23-3/8" x 63-1/4"	188	132 lbs.	18
DICP-5	80-1/8"	26-3/4"	73-7/16"	78-3/16"	23-3/8" x 78-1/2"	236	154 lbs.	23
DICP-6	95-3/8"	26-3/4"	88-3/4"	93-1/2"	23-3/8" x 93-7/8"	284	176 lbs.	27

### Optional Accessories

Visit our website for additional accessories

- SU-45A 12" x 1" Adapter Bar
- SU-45B 20" x 3" Adapter Bar



**DISLCP-3 Shown**  
With Optional Adapter Bars

## SLIMLINE SERIES

Model #	Length (L)	Inside Length (B)	Body Length (C)	Cut-Out Size (Unit)	Ice Capacity (lbs)	Weight (lbs)	Cubic Feet
DISLCP-2	47 9/16"	42 11/16"	45 1/2"	15-1/8" x 45-7/8"	93	46 lbs.	15
DISLCP-3	70 3/8"	65 1/2"	68 5/16"	15-1/8" x 68-3/4"	141	58 lbs.	21
DISLCP-4	93 3/16"	88 5/16"	91 1/8"	15-1/8" x 91-1/2"	186	70 lbs.	28



Customer Service Available To Assist You **1-800-645-3166** 8:30 am - 8:00 pm E.S.T.

For Orders:

Email: [customer@advancetabco.com](mailto:customer@advancetabco.com) or Fax To: 631-242-6900

For Smart Fabrication™ Quotes:

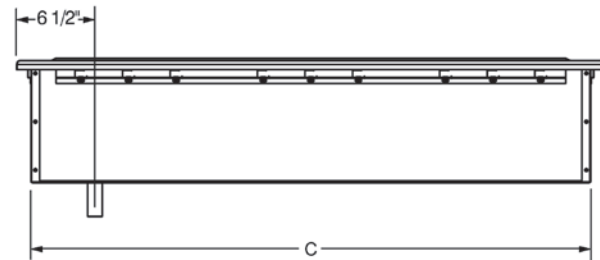
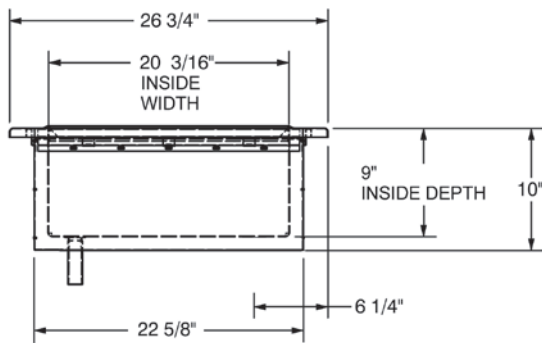
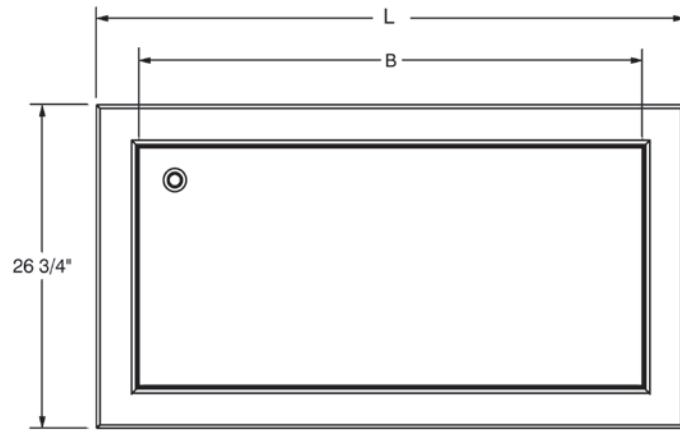
Email: [smartfab@advancetabco.com](mailto:smartfab@advancetabco.com) or Fax To: 631-586-2933

# DIMENSIONS and SPECIFICATIONS

TOL  $\pm$  .125"

ALL DIMENSIONS ARE TYPICAL

## DICP SERIES



## DISLCP SERIES

