

GENERAL INFORMATION

Project Name: _____
Item: _____
Quantity: _____
Model: DECO-335-N
Length: _____

GENERAL SPECIFICATION

Materials

- 1" x 2" Stainless Steel Rectangular Tubing Uprights
- 1/2" Tempered Glass Front and Top
- Polished Exposed Glass Edges
- Mounting Flange

Construction

- 54" Maximum Post Spacing With 1/4" Tempered Glass
- 66" Maximum Post Spacing With 3/8" Tempered Glass
- 72" Maximum Post Spacing With 1/2" Tempered Glass
- NSF Standard 2 Construction
- Shipped Fully Assembled

TUBE OPTIONS

- 1" Square
- 1-1/2" Square

TUBE FINISH

- #4 Brushed Stainless Steel
- #8 Mirror Polished Stainless Steel
- Powder Coated - Color _____

GLASS OPTIONS

- 1/4" Tempered Glass
- 1/2" Tempered Glass
- 3/8" Tempered Glass
- 1/4" Tempered Glass End Panel

TOP SHELF OPTIONS

- 1/2" Tempered Glass
- 3/8" Tempered Glass
- #8 Mirror Polished Brass
- Stainless: #4 Brushed #8 Mirror Polished
- Powder Coated Color _____
- Solid Surface Material Color _____

FITTING FINISH

- #4 Brushed Stainless Steel
- #8 Mirror Polished Stainless Steel
- Powder Coated - Color _____

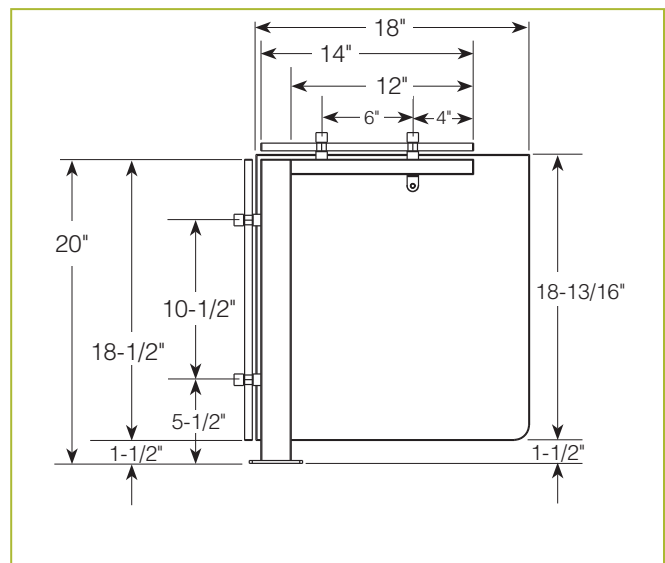
FITTING OPTIONS

- Round Flange

Printed in the U.S.A. (April 2017) BSI, LLC
 Specifications subject to change without notice.

DECO-335-N

Operator-Serve Food Shield



To meet NSF guidelines, end panels are included on all BSI quotations unless specifically excluded.

LIGHT AND WARMER OPTIONS

- LED Light Unit
- Linear T-5 Fluorescent Unit
- BSI Stealth™ Linear Heat Only Unit
- BSI Stealth™ Linear Heat and Light Combo Unit (Fluorescent)
- BSI Stealth™ Linear Heat and Light Combo Unit (LED)
- BSI Stealth™ Linear Double Heat and Light Combo Unit (Fluorescent)
- BSI Stealth™ Linear Double Heat and Light Combo Unit (LED)
- Hatco® Brand Heat Only Unit
- Hatco® Brand Heat and Light Combo Unit

Structural enhancements or mounting might be required to support heat light options.

* Approval Drawings Required