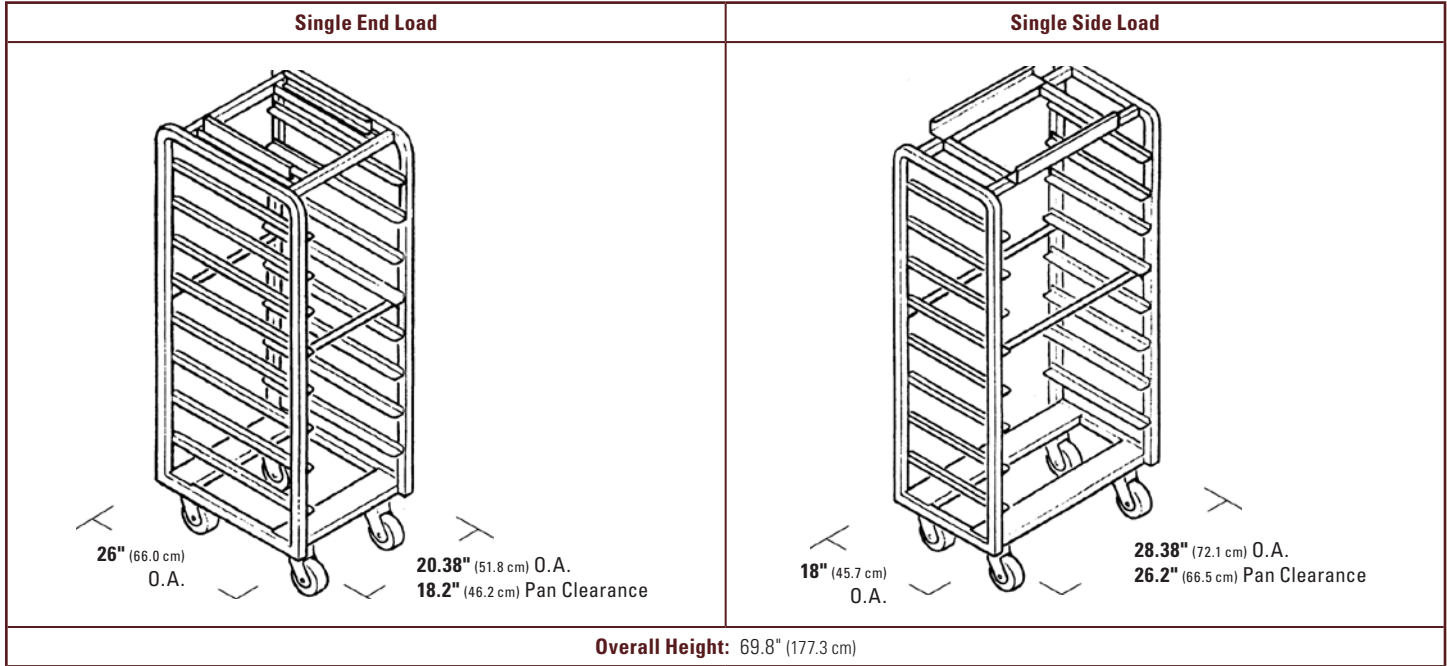




HEAVY DUTY RACKS FOR Single Rack Ovens



ORDERING INFORMATION:

Slides		Single End Load for Single Rack Oven		Single Side Load for Single Rack Oven	
Qty	Space	Model No.	Weight	Model No.	Weight
10	6"*	BSRSB-10	96 lbs (44 kg)	BSSRSB-10	90 lbs (41 kg)
12	5"*	BSRSB-12	101 lbs (46 kg)	BSSRSB-12	94 lbs (43 kg)
15	4"*	BSRSB-15	108 lbs (49 kg)	BSSRSB-15	98 lbs (44 kg)
20	3"*	BSRSB-20	119 lbs (54 kg)	BSSRSB-20	106 lbs (48 kg)

Shipping Options:

Add the following codes to the model number to specify shipping choice:

- **A** = Assembled & Welded
- **W** = Assembled & Fully Welded for Prisons

EX: BSRSB-8A for Assembled & Welded.

Freight Class:

Class 150 for 90 lbs. and over.

* Slide surface to slide surface.

Construction 16-gauge stainless steel. Casters are 4" swivel type, with life-time lubricated wheel bearings. Rated for 580°F, 400 lbs. each.

Capacity Designed for 18" x 26" pans or 5-on bread strap pans for Side Load Rack. (Allow ±2 inches between finished products for best results.)

Baxter's Single Rotating Rack Oven will fit:

- 1 single rack (end load or side load)

Note: Oven racks are designed for use with the Baxter B-Lift carrier. Contact factory for alternate carriers or configurations.

Area Reserved For Consultant & Contractor Approvals

Manufacturer reserves the right to make changes in sizes and specifications.



19220 State Route 162 East
Orting, WA 98360
www.baxterbakery.com

Factory
(360) 893-5554

Customer Care
(800) 777-2828
or
(800) 462-2778

Customer Care Fax
(937) 332-2852