

Perlick® LIGHTED MERCHANDISE DISPLAY TWO TIER



JOB
AREA
ITEM NO.
MODEL NO.

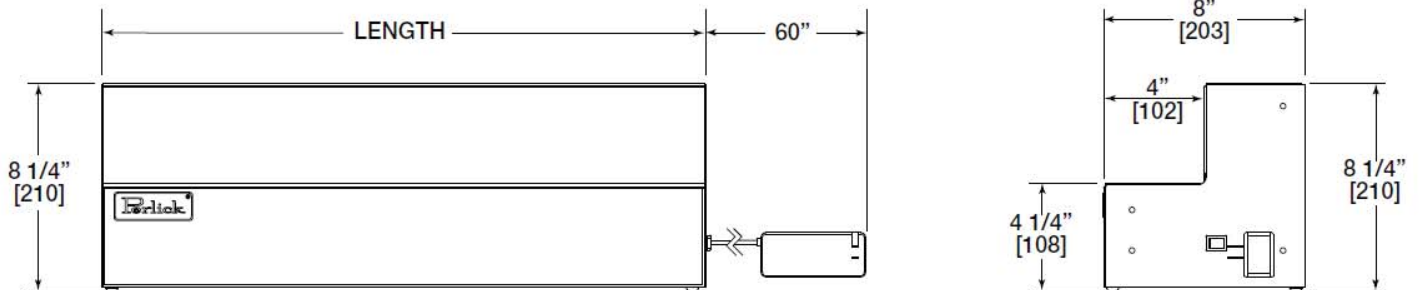
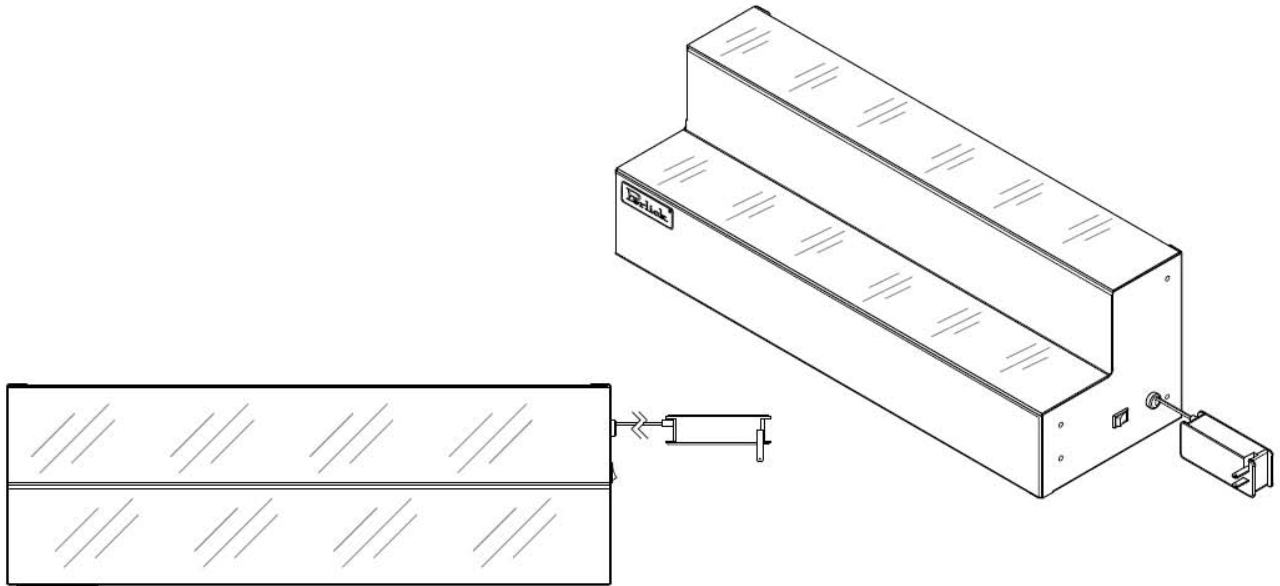
Cord/Switch - Left (White)	Cord/Switch - Right (White)
LMD2-24L	LMD2-24R
LMD2-36L	LMD2-36R
LMD2-48L	LMD2-48R
LMD2-60L	LMD2-60R
LMD2-72L	LMD2-72R
LMD2-84L	LMD2-84R
LMD2-96L	LMD2-96R
LMD2-108L	LMD2-108R

Cord/Switch - Left (Blue)	Cord/Switch - Right (Blue)
LMD2-24L-BL	LMD2-24R-BL
LMD2-48L-BL	LMD2-48R-BL

MODEL NUMBERS	LMD2-24L/R (-BL)	LMD2-36L/R	LMD2-48L/R (-BL)	LMD2-60L/R	LMD2-72L/R	LMD2-84L/R	LMD2-96L/R	LMD2-108L/R	
DIMENSIONS	Length, Inches (mm)	24 (610)	36 (914)	48 (1219)	60 (1524)	72 (1829)	84 (2134)	96 (2438)	108 (2743)
	Depth, Inches (mm)	8 (203)	8 (203)	8 (203)	8 (203)	8 (203)	8 (203)	8 (203)	8 (203)
	Height, Inches (mm)	8-1/4 (210)	8-1/4 (210)	8-1/4 (210)	8-1/4 (210)	8-1/4 (210)	8-1/4 (210)	8-1/4 (210)	8-1/4 (210)
SHIPPING WEIGHT, LBS. (kg.)	13 (5.9)	20 (9.1)	26 (11.8)	33 (15.0)	40 (18.2)	46 (20.9)	53 (24.1)	60 (27.3)	
CONSTRUCTION	All stainless steel construction with acrylic step covers (2-tiers, 4" deep). Modular construction – factory ajoined 2 and 3 foot long units create displays up to 108" long								
ELECTRICAL	Input: AC 100-240V, 50/60Hz, 1.2A Output: DC 12V, 3.8A, 45W, transformer w/2-prong plug (NEMA 1-15P, 5 ft. cord – left or right option and on/off switch) Dry location use only. UL-listed components.								
LED COLOR	Cool White, 4200K or Blue (-BL models only) 50,000 hours min.								
NO. OF LEDS	36	57	72	93	114	129	150	171	
TOTAL WATTS	5.64w	8.93w	11.28w	14.57w	17.86w	20.21w	23.50w	26.79w	
TOTAL AMPS	.47A	.74A	.94A	1.21A	1.48A	1.68A	1.95A	2.22A	
WARRANTY	LED Lamp: 3 years parts, 90 days labor Power Supply/Transformer: 1 year parts, 90 days labor								



**LIGHTED MERCHANDISE DISPLAY
TWO TIER**



MODEL LMD 2-24R ILLUSTRATED