



ADA Compliant

This Space for Architect/Engineer Approval

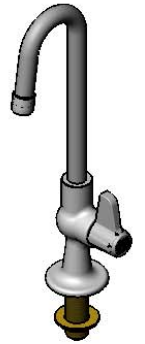
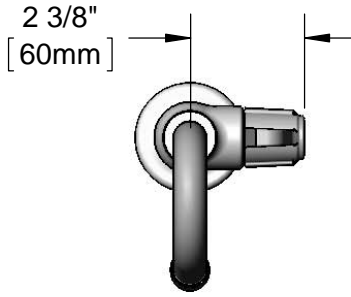
Job Name _____ Date _____

Model Specified _____ Quantity _____

Customer/Wholesaler _____

Contractor _____

Architect/Engineer _____



5SP-03
3" equip Rigid Gooseneck
w/ Laminar Flow Device.

Ceramic Cartridge &
equip Lever Handle

1 5/8"
[41mm]
Maximum
Thickness

Mounting Surface

1/2" NPSM
Male Inlet

12 11/16"
[323mm]

9"
[228mm]

2 13/16"
[72mm]

Ø 2 5/16"
[58mm]

Rough-In Requirement:
Ø 1" [25mm] Mounting Hole

Model Number
5F-1SLX03

Product Specifications:
Single Supply Deck Mount Faucet w/ Ceramic Cartridge,
equip Lever Handle, 3" equip Rigid Gooseneck
& 1/2" NPSM Male Inlet

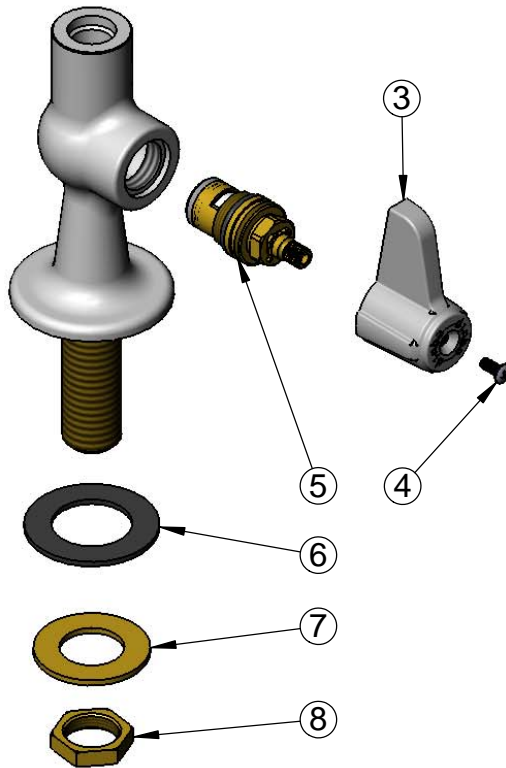
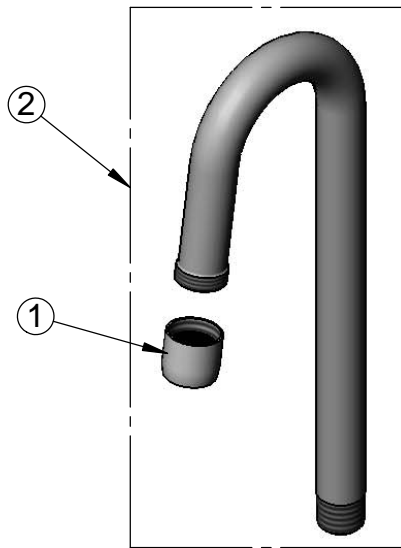
Product Compliance:
ASME A112.18.1 / CSA B125.1
NSF 61 - Section 9
NSF 372 (Low Lead Content)
ANSI A117.1 (ADA)

equip
Foodservice
Accessories



2 Saddleback Cove, P.O. Box 1088
Travelers Rest, South Carolina 29690
Phone: 800.891.4808 Fax: 800.868.0084
equip.tsbrass.com

ITEM NO.	SALES NO.	DESCRIPTION
1	014250-45	Laminar Flow Device
2	5SP-03	3" equip Rigid Gooseneck
3	5-HDL-L	equip Lever Handle
4	013849-45	Plain Handle Screw (10)
5	013787-45	equip Ceramic Cartridge, RTC
6	014612-45	Deck Seal
7	000999-45	Brass Lock Washer
8	002954-45	Shank Lock Nut



Model Number
5F-1SLX03

Product Specifications:
Single Supply Deck Mount Faucet w/ Ceramic Cartridge,
equip Lever Handle, 3" equip Rigid Gooseneck
& 1/2" NPSM Male Inlet

Product Compliance:
ASME A112.18.1 / CSA B125.1
NSF 61 - Section 9
NSF 372 (Low Lead Content)
ANSI A117.1 (ADA)

equip
Foodservice
Accessories



2 Saddleback Cove, P.O. Box 1088
Travelers Rest, South Carolina 29690
Phone: 800.891.4808 Fax: 800.868.0084
equip.tsbrass.com