



**ADA Compliant**

*This Space for Architect/Engineer Approval*

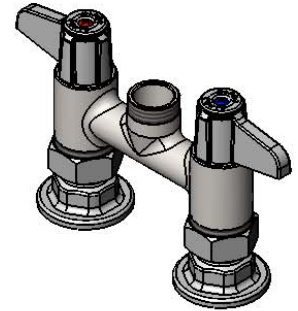
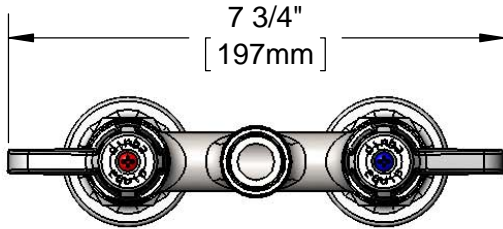
Job Name \_\_\_\_\_ Date \_\_\_\_\_

Model Specified \_\_\_\_\_ Quantity \_\_\_\_\_

Customer/Wholesaler \_\_\_\_\_

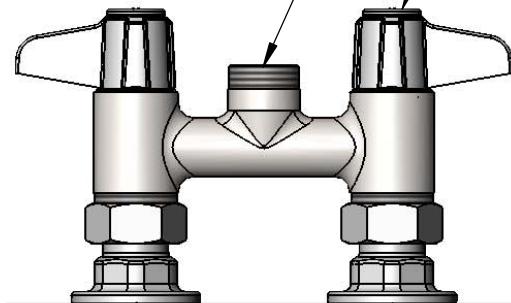
Contractor \_\_\_\_\_

Architect/Engineer \_\_\_\_\_

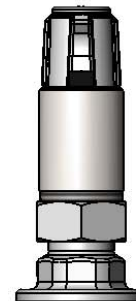


Swivel Outlet Accepts  
equip Swing Nozzles.  
Rigid Conversion Requires  
014200-45 Lock Washer  
(Sold Separately)

Ceramic Cartridges &  
equip Lever Handles  
w/ Color Coded Screws

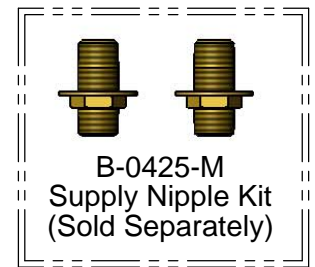


Mounting Surface



4"  
[102mm]  
Adjustable from  
3 3/4" to 4 1/4"  
[95mm to 108mm]

Ø 2" [51mm]  
Flanges w/  
1/2" NPT  
Female Inlets



Model Number  
**5F-4DLX00**

Date  
**06/05/12**

Scale  
**1:3**

Drawn  
**DHL**

Checked  
**DMH**

Approved  
**JHB**

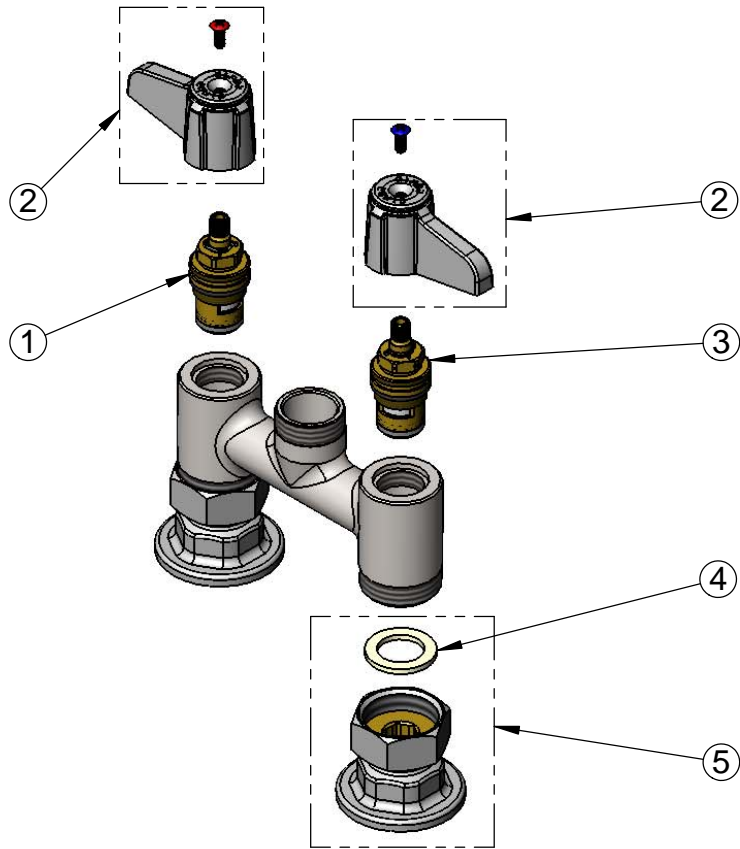


Product Specifications:

**4" Deck Mount Mixing Faucet, Less Nozzle, Ceramic Cartridges, equip Lever Handles, & 1/2" NPT Female Inlets**

equip Foodservice Accessories  
2 Saddleback Cove, P.O. Box 1088  
Travelers Rest, South Carolina 29690  
Phone: 800.891.4808 Fax: 800.868.0084

ITEM NO.	SALES NO.	DESCRIPTION
1	013787-45	equip Ceramic Cartridge, RTC
2	5-HDL-L	equip Lever Handle w/ Color Coded Screws
3	013788-45	equip Ceramic Cartridge, LTC
4	001019-45	Coupling Nut Washer
5	00AA	1/2" NPT Inlet Flange



Model Number 5F-4DLX00	Date 06/05/12	Scale NTS	Drawn DHL	Checked DMH	Approved JHB
---------------------------	------------------	--------------	--------------	----------------	-----------------



Product Specifications:  
**4" Deck Mount Mixing Faucet, Less Nozzle, Ceramic Cartridges, equip Lever Handles, & 1/2" NPT Female Inlets**

equip Foodservice Accessories  
 2 Saddleback Cove, P.O. Box 1088  
 Travelers Rest, South Carolina 29690  
 Phone: 800.891.4808 Fax: 800.868.0084