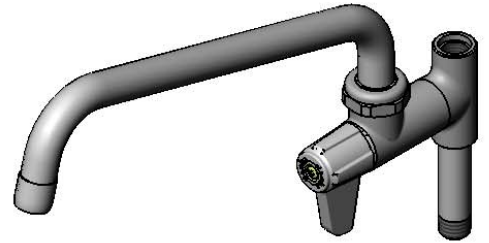
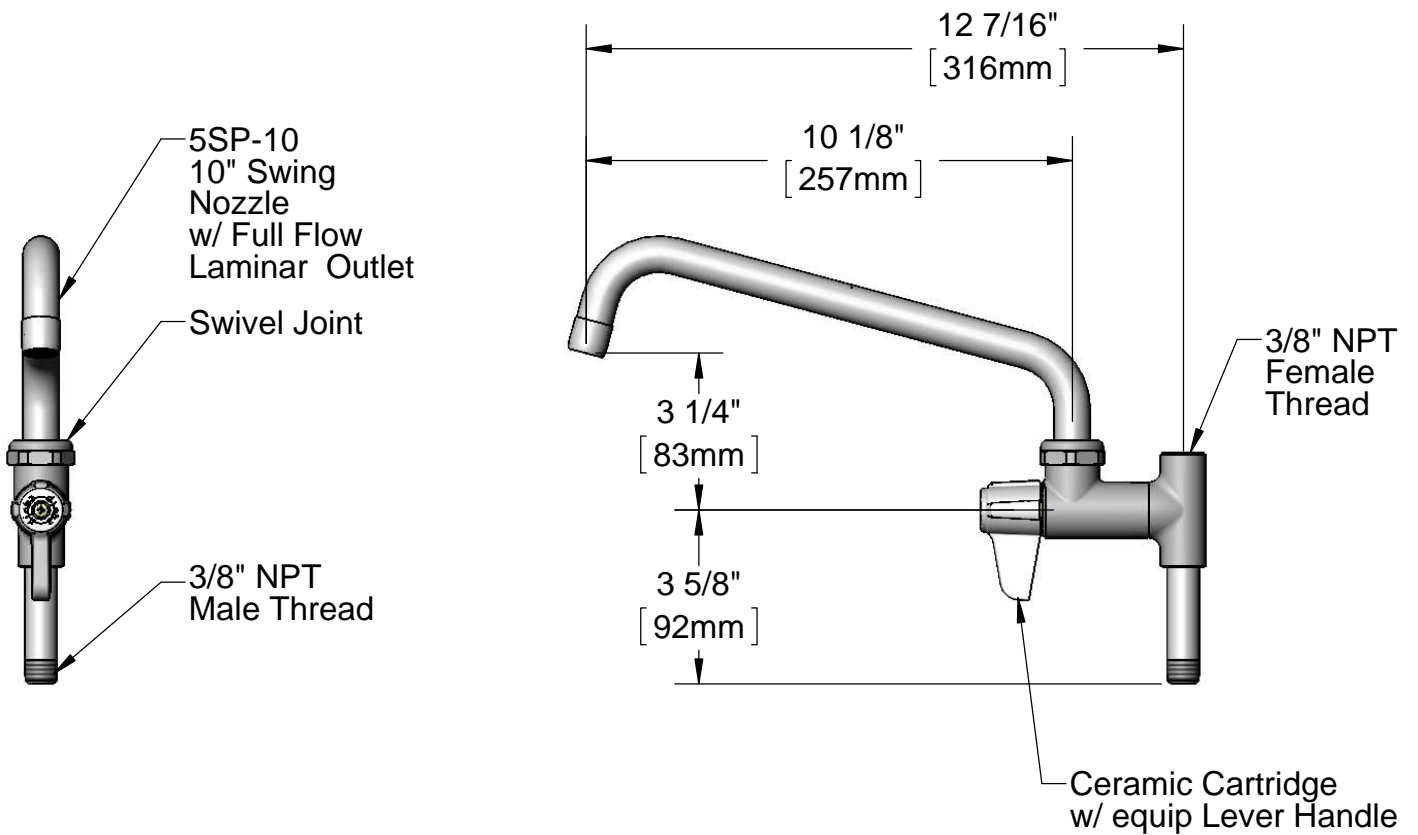


This Space for Architect/Engineer Approval

Job Name _____ Date _____
 Model Specified _____ Quantity _____
 Customer/Wholesaler _____
 Contractor _____
 Architect/Engineer _____



ADA Compliant



Model Number 5AFL10	Date 11/03/11	Scale 1:4	Drawn KJG	Checked DMH	Approved JHB
-------------------------------	-------------------------	---------------------	---------------------	-----------------------	------------------------

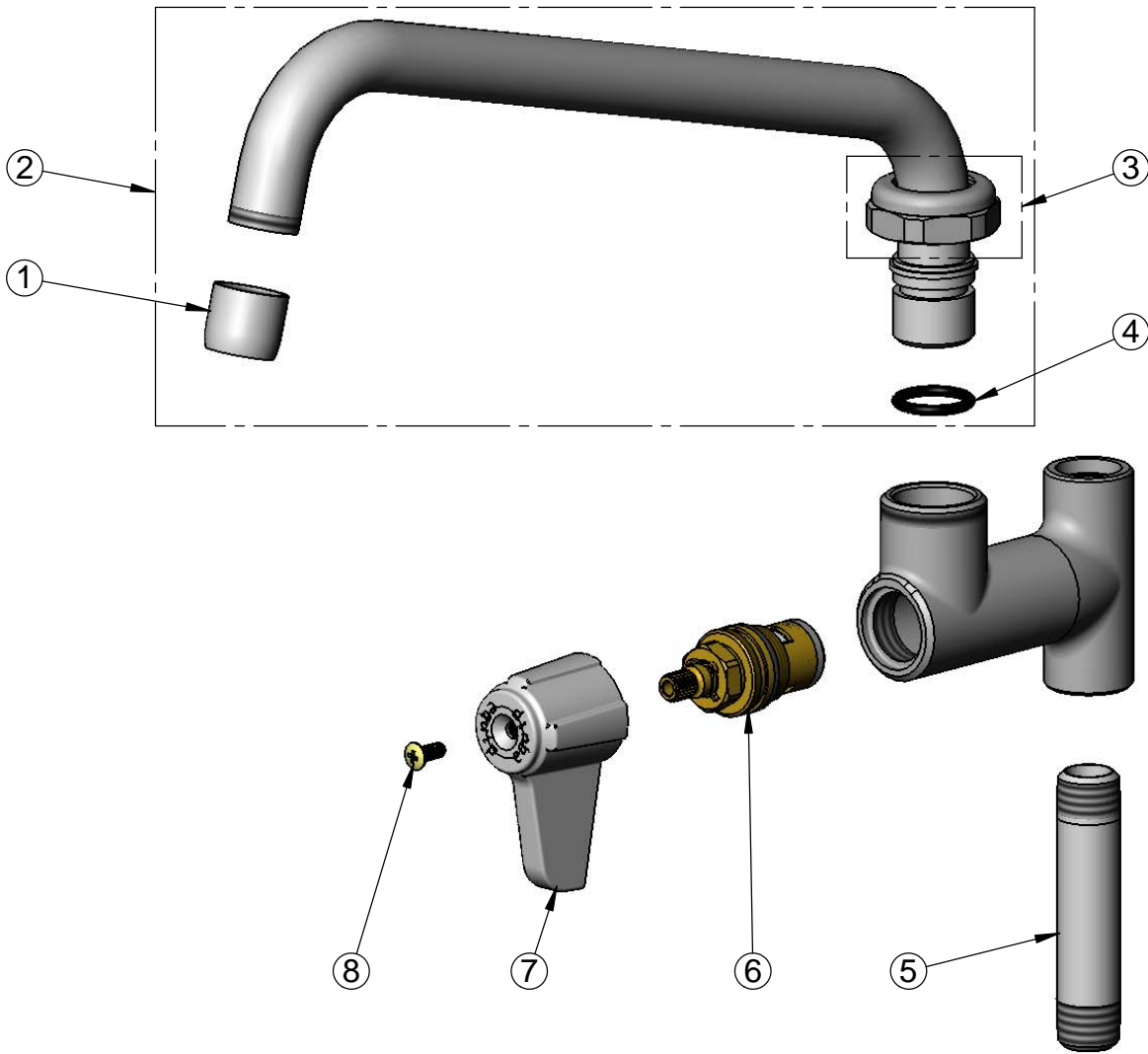
Product Specifications:

**Equip Add-On Faucet w/ Equip Ceramic Cartridge,
10" Swing Nozzle, & Full Flow Laminar Outlet**



equip Foodservice Accessories
 2 Saddleback Cove, P.O. Box 1088
 Travelers Rest, South Carolina 29690
 Phone: 800.891.4808 Fax: 800.868.0084

ITEM NO.	SALES NO.	DESCRIPTION
1	014250-45	Full Flow Laminar Outlet
2	5SP-10	10" Swing Nozzle Assembly
3	013839-25	Swivel Nut
4	013848-45	O-Ring, Size -014, Nitrile
5	000358-40	Nipple, 3/8" NPT x 3" LG
6	013787-45	Equip Ceramic Crtg (RTC)
7	5-HDL-L	"Equip" Lever Handle
8	013849-45	Lever Handle Screw



Model Number 5AFL10	Date 11/03/11	Scale NTS	Drawn KJG	Checked DMH	Approved JHB
------------------------	------------------	--------------	--------------	----------------	-----------------



Product Specifications:
**Equip Add-On Faucet w/ Equip Ceramic Cartridge,
 10" Swing Nozzle, & Full Flow Laminar Outlet**

equip Foodservice Accessories
 2 Saddleback Cove, P.O. Box 1088
 Travelers Rest, South Carolina 29690
 Phone: 800.891.4808 Fax: 800.868.0084