

LIGHTED MERCHANDISE DISPLAY - RAISED 2 TIER

Perlick Features

- All stainless steel construction.
- Two acrylic tiers, each 4" deep.
- Illuminated front for use with Perlick Glass Merchandise Display.
- U.L. Listed electrical components.
- Energy saving "Super Bright" LED lights. Consumes 1/3 less energy compared to fluorescent lights.
- Very safe – low heat (12vDC).
- Long life – 50,000 hours min.
- Environmentally friendly – no mercury, lead or toxic gases.
- On/Off switch & power cord – left or right end option.
- Modular construction – factory adjoined 2 and 3 foot long units create displays up to 72" long.

MODEL NOS.

Cord & Switch - Left

- LMDS2-24L
- LMDS2-36L
- LMDS2-48L
- LMDS2-60L
- LMDS2-72L

MODEL NOS.

Cord & Switch - Right

- LMDS2-24R
- LMDS2-36R
- LMDS2-48R
- LMDS2-60R
- LMDS2-72R



8300 West Good Hope Road • Milwaukee, WI 53223 • Phone 414-353-7060 • Fax 414-353-7069
Toll Free 800-558-5592 • E-Mail: Perlick@Perlick.com • www.Perlick.com

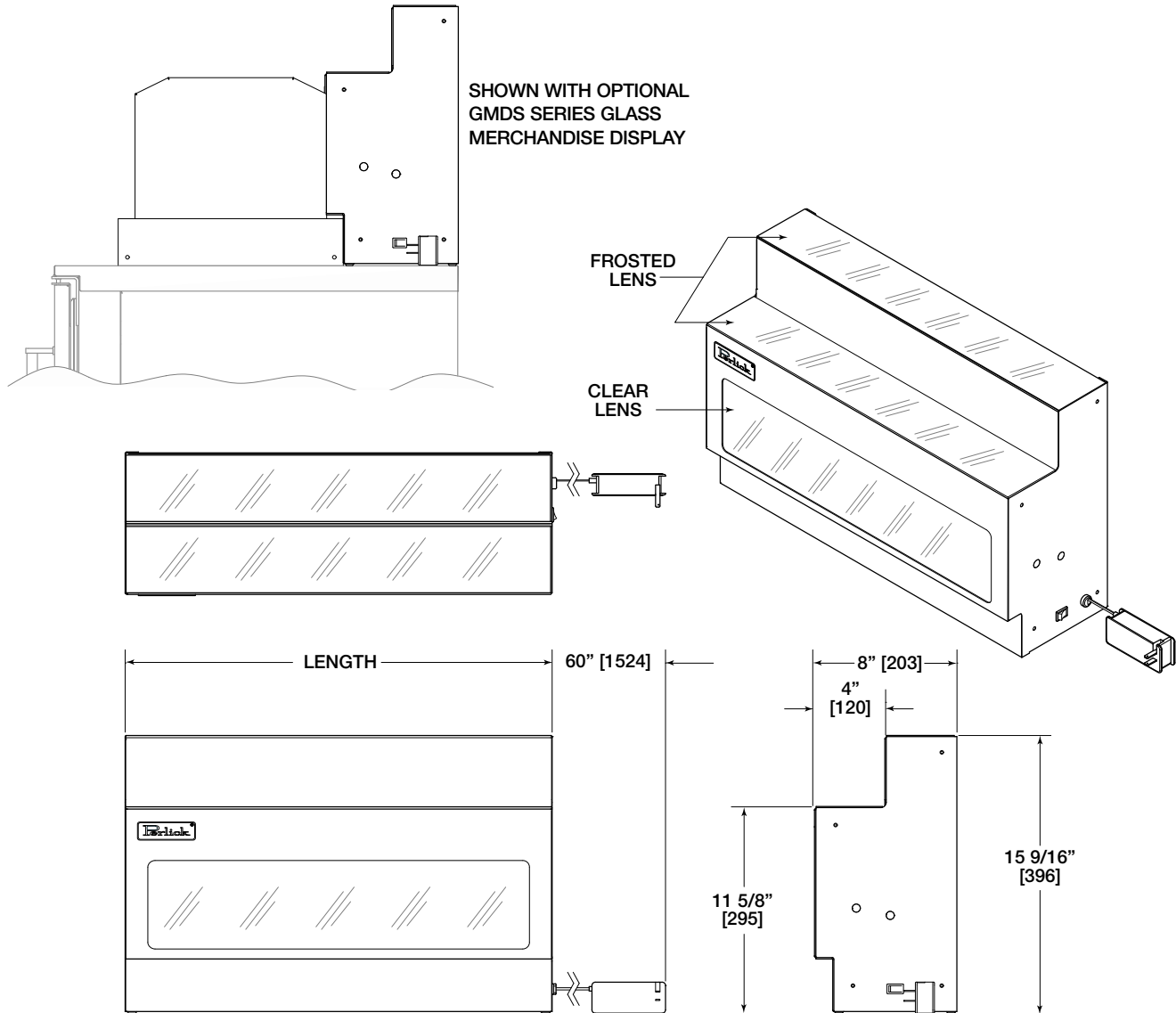
Form No. 062609
Rev. 06.04.10

Sizes and Specifications

Lighted Merchandise Display - Raised 2 Tier

Job _____
 Area _____
 Item No. _____
 Model No. _____

MODEL NOS.		LMDS2-24L/R	LMDS2-36L/R	LMDS2-48L/R	LMDS2-60L/R	LMDS2-72L/R
DIMENSIONS	Length Ins. (mm)	24" (610)	36" (914)	48" (1219)	60" (1524)	72" (1829)
	Depth Ins. (mm)	8" (203)	8" (203)	8" (203)	8" (203)	8" (203)
	Height Ins. (mm)	15 9/16" (396)	15 9/16" (396)	15 9/16" (396)	15 9/16" (396)	15 9/16" (396)
SHIP WT lbs. (kg)		18 (8.2)	25 (11.3)	36 (16.3)	43 (19.5)	50 (22.7)
CONSTRUCTION	All stainless steel with acrylic step covers and front lens.					
ELECTRICAL	Input: AC 100-240V, 50/60HZ, 1.2A. Output: DC 12V, 3.8A, 45W, transformer w/2-prong plug (NEMA 215), 5ft. cord (Dry location use only).					
LED COLOR	Cool White, 4200K.					
NO. OF LED'S		72	114	144	186	228
TOTAL WATTS		11.28w	17.86w	23.56w	29.14w	35.72w
TOTAL AMPS		.94A	1.48A	1.88A	2.42A	2.96A
WARRANTY	LED Lamp: 3 years parts, 90 days labor. Power supply/transformer: 1 year parts, 90 days labor.					



MODEL LMDS2-24R ILLUSTRATED



8300 West Good Hope Road • Milwaukee, WI 53223 • Phone 414-353-7060 • Fax 414-353-7069
 Toll Free 800-558-5592 • E-Mail: Perlick@Perlick.com • www.Perlick.com