



Electrolux

High Productivity Cooking Touchline tilting braising pan, gas (98,861BTU), 45 gal (170 lt)

ITEM # _____

MODEL # _____

NAME # _____

SIS # _____

AIA # _____



High Productivity Cooking

Touchline tilting braising pan, gas
(98,861BTU), 45 gal (170 lt)

587039 (PFET17GCWU) Touchline tilting braising
pan, gas (98,861BTU), 45gal
capacity (170lt) -
120V/1p/60Hz

Short Form Specification

Item No. _____

AISI 304 stainless steel construction. GN compliant pan size; 0.7" (18mm) thick pan bottom 0.6" (15mm) mild steel and 0.1" (3mm) AISI 316 stainless steel. Insulated and counterbalanced lid. Motorized tilting with variable speed control. Pan can be tilted beyond 90° to completely empty the food. Robust multiple burners with electronic ignition and monitoring. Safety thermostat protects the pan from overheating. A precise, electronic control of pan bottom temperature ensures fast reaction and exact adherence to preselected cooking temperatures between 122 and 482°F (50 and 250°C). TOUCH control panel. SOFT function. IPX6 water resistant. Configuration: Free-standing or Standing against a wall. Installation options (not included): floor mounted on 8" (200mm) high feet or a plinth which can be either steel or masonry construction.



APPROVAL: _____

Main Features

- Pan size is GN compliant.
- Temperature sensors provides efficient temperature control: the power is supplied as and when required to keep the set temperature value without exceeding it.
- Optimum heat distribution in the food provides best cooking results in terms of taste, colour and consistency and in terms of vitamin preserving.
- Easy to clean cooking surface due to large-radius edges and corners.
- High-quality thermal insulation of the pan saves energy and keeps operating ambient temperature low.
- Motorized, variable pan tilting with "SOFT STOP". Tilting and pouring speeds can be precisely adjusted. Pan can be tilted over 90° to facilitate pouring and cleaning operations.
- IPX6 water resistant.
- Built in temperature sensor to precisely control the cooking process.
- No overshooting of cooking temperatures, fast reaction.
- USB connection to easily update the software, upload recipes and download HACCP data.
- Multifunctional cooking appliance used for roasting, pot-roasting, braising, simmering, boiling and steaming.

Construction

- External panelling and internal frame made of 1.4301 (AISI 304) stainless steel.
- Entire pan tub made in 1.4301 (AISI 304) stainless steel, single-piece deep drawn.
- Double-lined insulated lid in 1.4301 (AISI 304) stainless steel mounted on the cross beam of the unit, counterbalanced by a hinge that remains open in all positions.
- Gas appliance has robust multiple burners with electronic ignition and monitoring for a safer operation. Operation with natural gas and LPG (on request).
- Water mixing tap is available as optional accessory to make water filling and pan cleaning easier.
- Minimised presence of narrow gaps for easier cleaning of the sides to meet the highest hygiene standards.
- Heatproof handle with non-slip surface.
- Front-mounted inclined led "TOUCH" control panel with recessed deep drawn casing, features self-explanatory display functions which guide operator throughout the cooking process: simultaneous display of actual and set temperature as well as set



Electrolux

High Productivity Cooking
Touchline tilting braising pan, gas (98,861BTU), 45 gal (170 lt)

Electrolux Professional, Inc.

www.electroluxusa.com/professional

10200 David Taylor Drive, Charlotte, NC 28262 • Telephone Number: 866-449-4200 • Fax Number: 704-547-7401



cooking time and remaining cooking time; real time clock; "SOFT" control for gentle heating up for delicate food; 9 power simmering levels from gentle to heavy boiling; timer for deferred start; error display for quick trouble-shooting.

- Possibility to store recipes in single or multiphase cooking process, with different temperature settings.
- Can be prearranged for energy optimisation or external surveillance systems (optional).
- 98% recyclable by weight; packaging material free of toxic substances.
- Multipurpose non-stick cooking surface in 0.75" (18 mm) thick compound: 0.1" (3 mm) shot-blasted 1.4404 (AISI 316L) stainless steel surface, seamlessly welded to the mild steel bottom.

Optional Accessories

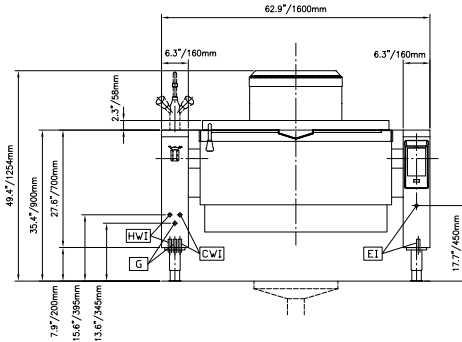
- Perforated container with handles, height 4" (102mm) PNC 910211
- Perforated container with handles, height 6" (152mm) PNC 910212
- Perforated container with handles, height 8" (203mm) PNC 911673
- Left cover plate and 35-7/16" dia. (900mm) water faucet PNC 911819
- Connecting rail kit for appliances with backsplash, 35 7/16" (900mm) PNC 912499
- Connecting rail kit, 35 7/16" (900mm) PNC 912502
- Suspension frame for Non-Pressurized Tilting Braising Pans PNC 912709
- Spray gun for tilting units, height 27-1/2" (698.5mm) - factory fitted PNC 912776
- External touch control device for tilting units - factory fitted PNC 912782
- Emergency stop button - factory fitted PNC 912784
- 4 flanged feet, 2", for prothermetic units (kettles, braising pans & pressure braising pans) PNC 913438
- - NOT TRANSLATED - PNC 913567
- - NOT TRANSLATED - PNC 913568



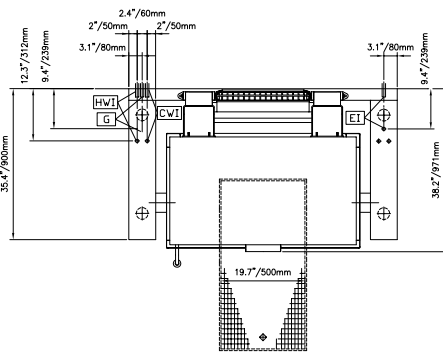
Electrolux

High Productivity Cooking Touchline tilting braising pan, gas (98,861BTU), 45 gal (170 lt)

Front



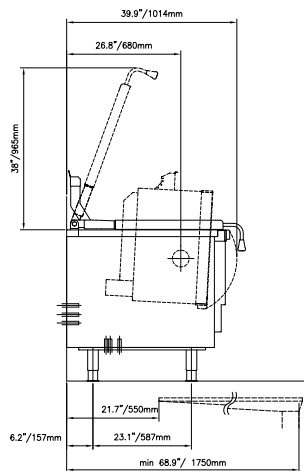
Top



CWII

- = Cold Water inlet
- EI = Electrical connection
- G = Gas connection

Side



Electric

Supply voltage:

587039 (PFET17GCWU) 120 V/1 ph/60 Hz

Total Watts:

0.25 kW

Gas

Gas Power:

98948 Btu/hr (29 kW)

Gas Type Option:

Propane

Gas Inlet:

1"

Water:

Pressure:

29-87 psi (2-6 bar)

Installation:

FS on concrete base;FS on feet;On base;Standing against wall

Type of installation:

Key Information:

Configuration:

Rectangular;Tilting

Working Temperature MIN:

122 °F (50 °C)

Working Temperature MAX:

482 °F (250 °C)

External dimensions, Width:

63 " (1600 mm)

External dimensions, Depth:

35 7/16" (900 mm)

External dimensions, Height:

27 9/16" (700 mm)

Net weight:

661 lbs (300 kg)

Shipping width:

66 15/16" (1700 mm)

Shipping depth:

48 13/16" (1240 mm)

Shipping height:

59 1/16" (1500 mm)

Shipping weight:

1036 lbs (470 kg)

Shipping volume:

111.65 ft³ (3.16 m³)

Heating type:

Direct

Tilting mechanism:

Automatic

High Productivity Cooking
Touchline tilting braising pan, gas (98,861BTU), 45 gal (170 lt)

The company reserves the right to make modifications to the products without prior notice. All information correct at time of printing.

2017.03.15