

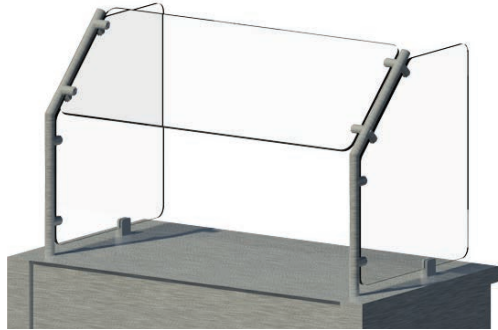


STAINLESS STEEL 45° ANGLED FOOD SHIELDS

Item #: _____ Qty #: _____

Model #: _____

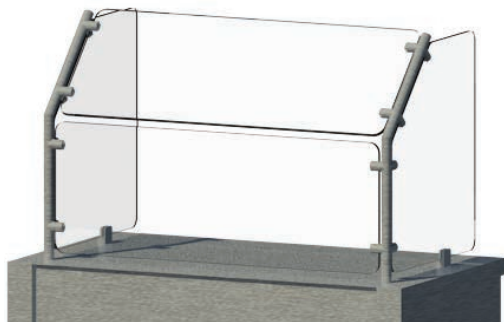
Project #: _____



Self-Serve Style
Includes Top & Side Glass

MODEL #	Nominal Length (L)	Clearance Length (A)	O.A. Length (B)	Approx. Weight	Approx. Cubes
AFS-36	36"	35"	37"	130 lbs.	6
AFS-48	48"	47"	49"	164 lbs.	8
AFS-60*	60"	59"	61"	207 lbs.	10

*60" Length has 3/8" Thick Heat-Tempered Front Glass
24" Standard Front Glass Height



Cafeteria Style
Includes Top, Front & Side Glass

MODEL #	Nominal Length (L)	Clearance Length (A)	O.A. Length (B)	Approx. Weight	Approx. Cubes
AFC-36	36"	35"	37"	143 lbs.	6
AFC-48	48"	47"	49"	178 lbs.	8
AFC-60*	60"	59"	61"	235 lbs.	10

*60" Length has 3/8" Thick Heat-Tempered Front Glass

FEATURES:

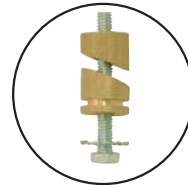
- 1/4" Thick Heat-Tempered Glass*
- 1/4" Side Panels
- 1" Stainless Steel Tubing with End Caps
- Includes Standard Concealed Mounting Hardware (Access To Underside Of Counter Required)

CONSTRUCTION:

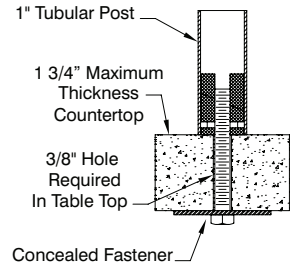
- All TIG welded.
- Requires Allen Wrench (Not Included)

Standard Concealed Mounting Hardware

Requires access below counter for installation.



Brass Expander Table Mounting Hardware Included. For traditional undermount installation (1" tubing only)



Optional Accessories

Surface Mounting Brackets

Use when access below countertop is not available.



SG-1
Fits 1" Posts

(Compatible With All Advance Tabco Food Shields)

Customer Service Available To Assist You 1-800-645-3166 8:30 am - 8:00 pm E.S.T.

For Orders & Customer Service:

Email: customer@advancetabco.com or Fax: 631-242-6900

For Smart Fabrication™ Quotes:

Email: smartfab@advancetabco.com or Fax: 631-586-2933

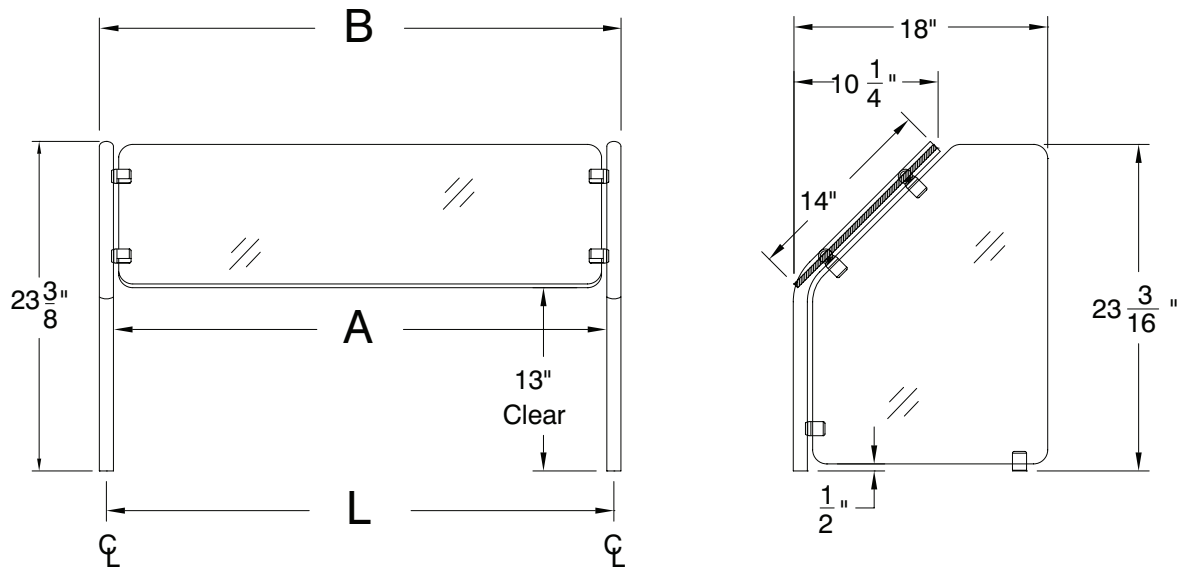


DETAILS and SPECIFICATIONS

TOL ± .500"

ALL DIMENSIONS ARE TYPICAL

AFS Series - Self-Serve Style



AFC Series - Cafeteria Style

