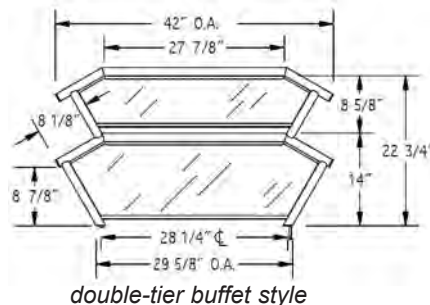
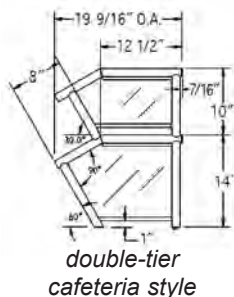
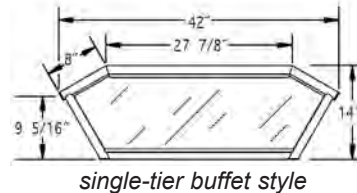
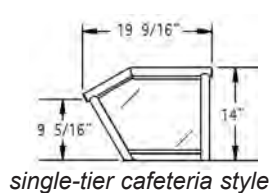
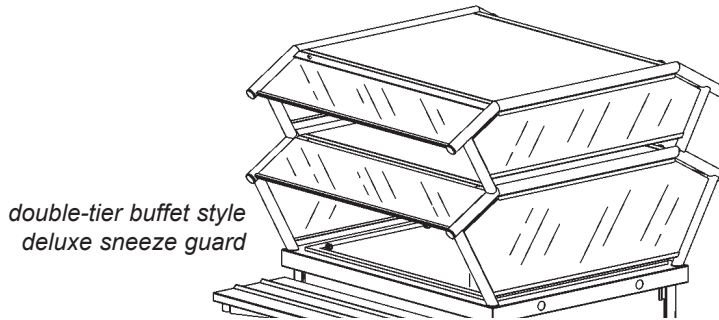
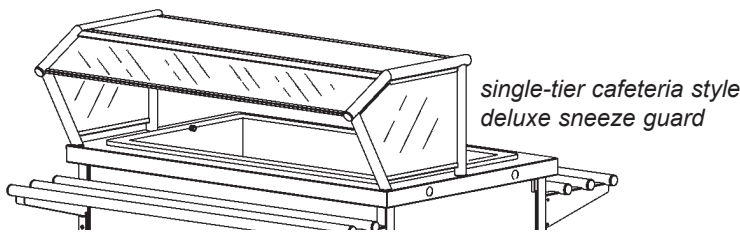


Foodservice Equipment • Material Handling, Healthcare & Cleanroom Equipment • Retail Display

New Director's Choice® Optional Decorative Deluxe Sneeze Guards



Item #: _____
Model #: _____
Project #: _____
SIS #: _____

Optional Accessories	Model #	Qty.
Display lights		
Heat lamps		

• Standard Features -

- Fabricated from 1½" (32mm)-diameter stainless steel tubing.
- Clear polycarbonate front and end panels.
- Factory-installation*.

• Styles available (please specify needs) -

- Cafeteria style for passover service or self-service.
- Buffet style self-service applications for islands or dual service.

• Frame Finishes -

- Stainless steel, or choose from Eagle's Stand-Outs™ custom epoxy color selection.

• Sneeze Guard Options -

- Tempered glass (meets ANSI Z97.1) with capped edges.
- Fully-enclosed sneeze guards (for Cafeteria Style). Facilitates "passover operation" for complete food protection.

• Other Options available -

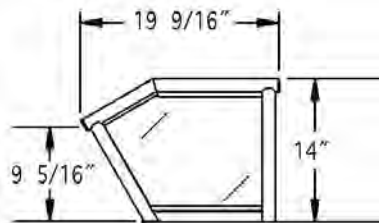
- Heat and light fixtures.
- Custom shapes available.
- Square frame profile.
- Multiple tiers.

* Factory-installation is a requirement.

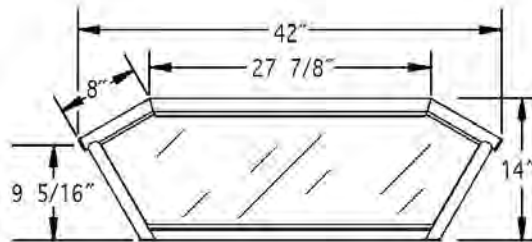


Spec sheets available for viewing, printing or downloading from our online literature library at www.eaglegrp.com

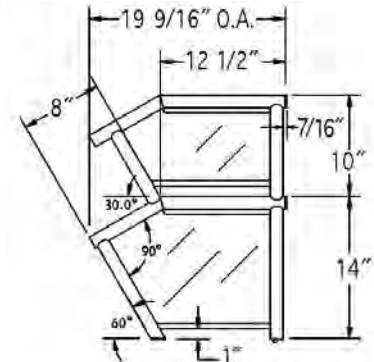
Director's Choice® Modular Cafeteria Optional Decorative Deluxe Sneeze Guards



single-tier cafeteria style



single-tier buffet style



double-tier cafeteria style

				Single-Tier Sneeze Guards				Double-Tier Sneeze Guards			
fits Series	# of legs	length		CAFETERIA STYLE		BUFFET STYLE		CAFETERIA STYLE		BUFFET STYLE	
		in.	mm	model #	list	model #	list	model #	list	model #	list
DCS2	2	36"	914	DCS2-DSG-CST		DCS2-DSG-BST		DCS2-DSG-CDT		DCS2-DSG-BDT	
DCS3	2	50"	1270	DCS3-DSG-CST		DCS3-DSG-BST		DCS3-DSG-CDT		DCS3-DSG-BDT	
DCS4	3	64"	1626	DCS4-DSG-CST		DCS4-DSG-BST		DCS4-DSG-CDT		DCS4-DSG-BDT	
DCS5	3	78"	1981	DCS5-DSG-CST		DCS5-DSG-BST		DCS5-DSG-CDT		DCS5-DSG-BDT	
DCS6	3	96"	2438	DCS6-DSG-CST		DCS6-DSG-BST		DCS6-DSG-CDT		DCS6-DSG-BDT	



heat lamp

REDHOTS® RHHL Series Heat Lamps

Attaches to underside of sneeze guard (or to underside of bottom sneeze guard on double-tier units). Wired to cord and plug, exit to base of unit. To order, contact Eagle's SpecFAB® department. To order, add suffix "-F" (ex: DCS2-DSG-CST-F).

fits Series	length		electrical data	list price
	in.	mm		
DCS2	36"	914	120V, 3.8A, 450W	
DCS3	50"	1270	120V, 5.6A, 675W	
DCS4	64"	1626	120V, 8.8A, 1050W	
DCS5	78"	1981	120V, 10.6A, 1275W	
DCS6	96"	2438	120V, 12.5A, 1500W	



display light

REDHOTS® Display Lights

Wired to cord and plug, exit base of unit. Must be factory-installed. To order, add suffix "-L" (ex: DCS3-DSG-BST-L).

fits Series	length		FOR SINGLE-TIER UNITS	FOR DOUBLE-TIER UNITS
	in.	mm	list price	list price
DCS2	36"	914		
DCS3	50"	1270		
DCS4	64"	1626		
DCS5	78"	1981		
DCS6	96"	2438		

Powder Coating

To order, contact Eagle's SpecFAB® department.

fits Series	length		White, Black, Gray, or Red	Eagle Stand-Outs™ colors
	in.	mm	list price	list price
DCS2	36"	914		
DCS3	50"	1270		
DCS4	64"	1626		
DCS5	78"	1981		
DCS6	96"	2438		