



STAINLESS STEEL EVERYDAY BUFFET HOT FOOD TABLE WITH OPEN BASE



B3-120-B Shown

For Use with Optional Spillage Pans



Item #: _____ Qty #: _____
 Model #: _____
 Project #: _____

FEATURES:

- 4" Swivel Casters, with two brakes
- Double sided sneeze guard & side panels
- Fiberglass insulation

MATERIAL:

- TOP:** 20 gauge #304 stainless steel with die stamped pan openings. (12" x 20")
- BODY:** 20 gauge steel available in matte black vinyl clad
- SNEEZE GUARD:** 1/4" Thermoplastic Polymer
- INSULATION:** Fiberglass insulation
- HEAT COMPARTMENT:** 20 gauge aluminum with exposed dome shape element (S/S wells optional)
- LINERS:** 8" deep, 22 Gauge galvanized or #302 stainless steel. Requires spillage pans, Add **Model # SP-A** (Aluminum) or **Model # SP-S** (S/S)

ELECTRICAL:

- Single phase wiring
- 120V units yield 500 Watts
- 208V/240V dual voltage units yield 750 Watts at 208V and 1000 Watts at 240V
- 6' electrical cord with plug
- Infinite control knobs
- Indicator lights
- Upgrade 240 volt units to 3 Phase wiring - **Model SU-72**

GALVANIZED LINERS	STAINLESS STEEL LINERS	Length	# of Wells	Weight (lbs.)	Cubic Feet	Volts	Amps	Watts	NEMA Plug
B2-120-B	B2-120-B-S	31-13/16"	2	135	39	120	8.33	1000	5-20P
B3-120-B	B3-120-B-S	47-1/8"	3	246	56	120	12.50	1500	5-20P
B4-120-B	B4-120-B-S	62-7/16"	4	301	73	120	16.67	2000	L5-30P
B2-240-B	B2-240-B-S	31-13/16"	2	135	39	208/240	7.21/8.33	1500/2000	6-20P
B3-240-B	B3-240-B-S	47-1/8"	3	246	56	208/240	10.82/12.50	2250/3000	6-20P
B4-240-B	B4-240-B-S	62-7/16"	4	301	73	208/240	14.42/16.67	3000/4000	L6-30P
B5-240-B	B5-240-B-S	77-3/4"	5	343	90	208/240	18.03/20.84	3750/5000	L6-30P

NOTE: Units are not designed to cook or heat frozen or refrigerated foods. Food placed in tables should already be hot, and the table will maintain the proper temperatures

NEMA PLUGS: Your plug will look like this...



NEMA 5-20P



NEMA 6-20P



NEMA L5-30P



NEMA L6-30P

Optional Accessories



Stationary Shelf



Drop-Down Shelf



Stationary Shelf



Drop-Down Shelf

10" Wide Stainless Steel Tray Shelves

STATIONARY		DROP-DOWN			
Model	Approx Wt.	Model	Approx Wt.	Length	Cu. ft.
TTS-2	9 lbs.	TTS-2D	11 lbs.	31-13/16"	1
TTS-3	12 lbs.	TTS-3D	14 lbs.	47-3/4"	1
TTS-4	15 lbs.	TTS-4D	17 lbs.	62-3/4"	2
TTS-5	18 lbs.	TTS-5D	20 lbs.	77-3/4"	2
TTS-6	21 lbs.	TTS-5D	23 lbs.	93-1/8"	2

Visit our website for more Everyday Buffet Accessories!

10" Wide Stainless Steel Tray Rails

STATIONARY		DROP-DOWN			
Model	Approx Wt.	Model	Approx Wt.	Length	Cu. ft.
TTR-2	8 lbs.	TTR-2D	9 lbs.	31-13/16"	1
TTR-3	10 lbs.	TTR-3D	11 lbs.	47-3/4"	1
TTR-4	13 lbs.	TTR-4D	14 lbs.	62-3/4"	2
TTR-5	17 lbs.	TTR-5D	18 lbs.	77-3/4"	2
TTR-6	22 lbs.	TTR-5D	23 lbs.	77-3/4"	2



Customer Service Available To Assist You 1-800-645-3166 8:30 am - 8:00 pm E.S.T.

For Orders & Customer Service:

Email: customer@advancetabco.com or Fax: 631-242-6900

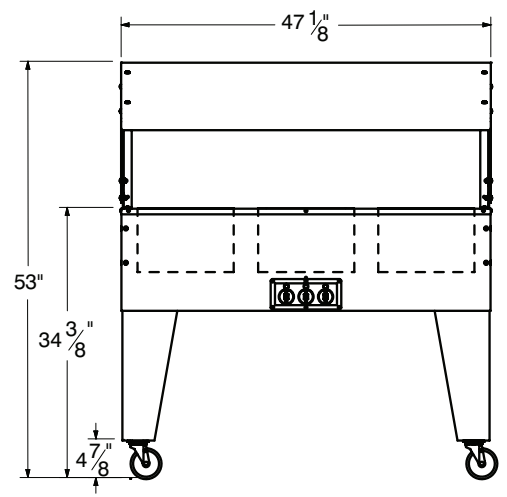
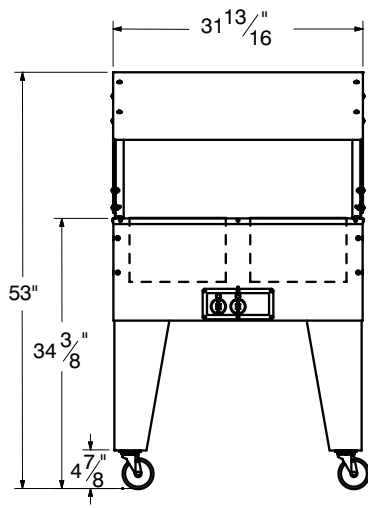
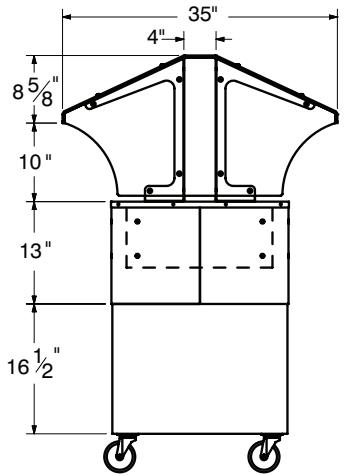
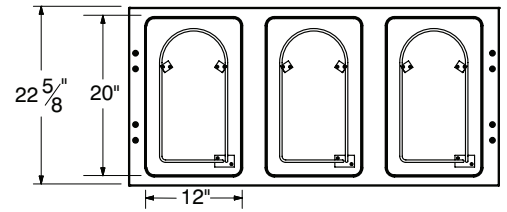
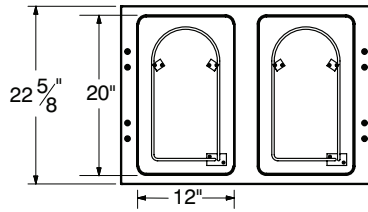
For Smart Fabrication™ Quotes:

Email: smartfab@advancetabco.com or Fax: 631-586-2933

DIMENSIONS and SPECIFICATIONS

TOL ± .125"

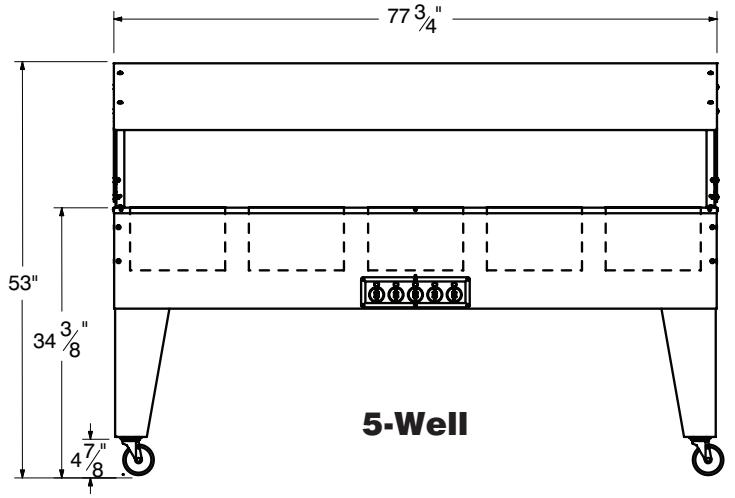
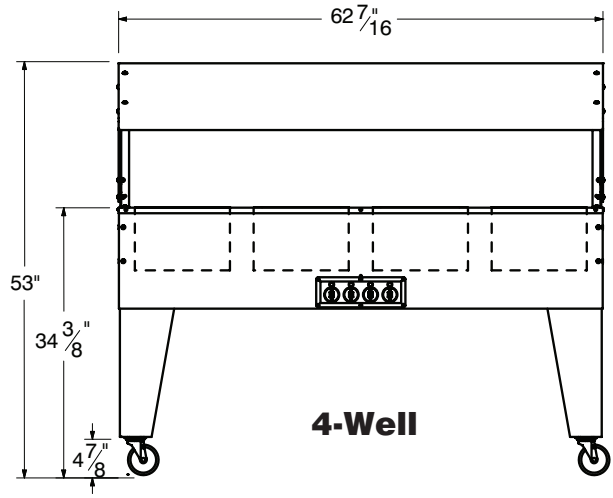
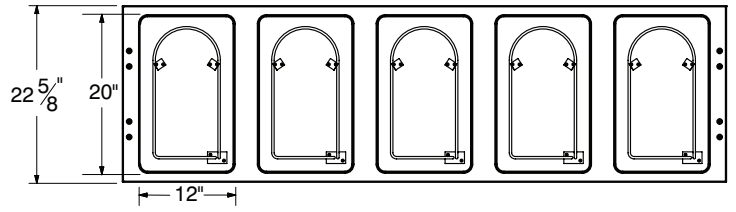
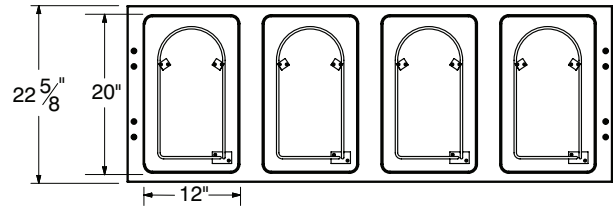
ALL DIMENSIONS ARE TYPICAL



SIDE VIEW

2-Well

3-Well



4-Well

5-Well



ADVANCE TABCO is constantly engaged in a program of improving our products. Therefore, we reserve the right to change specifications without prior notice.