



STAINLESS STEEL STANDARD HAND SINKS



Conforms To NSF 61/9 Lead Free Requirements

SPLASH MOUNTED FAUCETS



7-PS-60



7-PS-68



7-PS-50



7-PS-54



7-PS-67



7-PS-20



7-PS-20-NF
Faucet omitted

SINGLE HOLE PUNCH

Faucet omitted



7-PS-71

DOUBLE HOLE PUNCH

Faucet omitted



7-PS-70

LARGE SINK BOWLS

Features
Large Size
Sink Bowl
16" x 20" x 8"



7-PS-45

Features
Large Size
Sink Bowl
16" x 14" x 8"



7-PS-49

Item #: _____ Qty #: _____
 Model #: _____
 Project #: _____

Keyhole Bracket for easier installation and greater stability.



FEATURES:

One piece **Deep Drawn** sink bowl design.

Sink bowl size is 10" x 14" x 5".

7-PS-45 sink bowl size is 16" x 20" x 8".

7-PS-49 sink bowl size is 16" x 14" x 8".

All sink bowls have a large liberal radii with a minimum dimension of 2" and are rectangular in design for increased capacity.

Keyhole wall mount bracket.

Stainless steel 3 1/2" basket drain with 1-1/2" IPS.

Additional Features:

7-PS-20 4" O.C. deck mounted centerset faucet.

7-PS-20-NF Deck mounted faucet omitted. Two 4" O.C. holes.

7-PS-45 4" O.C. splash mounted centerset faucet and 2 Support Brackets. (Hardware Included).

7-PS-49 4" O.C. splash mounted gooseneck faucet.

7-PS-50 4" O.C. splash mounted gooseneck faucet. Lever operated drain and built-in overflow with plastic overflow tube and spring clamps. 1-1/2" P-Trap.

7-PS-54 4" O.C. splash mounted gooseneck faucet. 1-1/2" P-Trap.

7-PS-60 4" O.C. splash mounted gooseneck faucet.

7-PS-67 4" O.C. splash mounted gooseneck faucet and lever operated drain.

7-PS-68 4" O.C. splash mounted gooseneck faucet with Wrist Handles.

7-PS-70 Splash mounted faucet omitted. Two 4" O.C. holes.

7-PS-71 Splash mounted faucet omitted. Single center hole.

CONSTRUCTION:

All TIG welded.

Welded areas blended to match adjacent surfaces and to a satin finish.

Die formed Countertop Edge with a No-Drip offset.

One sheet of stainless steel - No Seams.

MATERIAL:

Heavy gauge type 304 series stainless steel.

Wall mounting bracket is Galvanized and of offset design.

All fittings are brass / chrome plated unless otherwise indicated.

MECHANICAL:

Faucet supply is 1/2" IPS male thread hot and cold.

WARNING:

Equipment that includes a faucet may expose you to chemicals, including lead, that are known to the State of California to cause cancer or birth defects or other reproductive harm. For more Info., visit www.p65warnings.ca.gov.



Customer Service Available To Assist You **1-800-645-3166** 8:30 am - 8:00 pm E.S.T.

For Orders & Customer Service:

Email: customer@advancetabco.com or Fax: 631-242-6900

For Smart Fabrication™ Quotes:

Email: smartfab@advancetabco.com or Fax: 631-586-2933

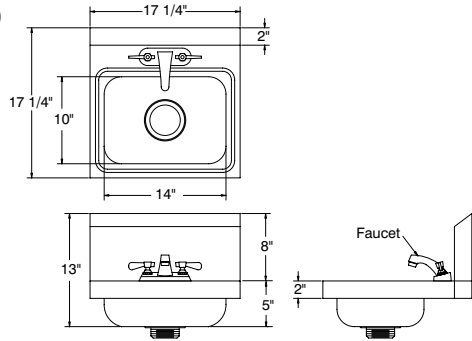
DIMENSIONS and SPECIFICATIONS

TOL Overall: ± .500" Interior: ± .250"

FITTINGS SUPPLIED AS SHOWN

ALL DIMENSIONS ARE TYPICAL

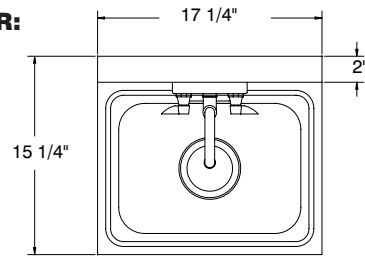
7-PS-20



15 lbs.

TOP VIEW FOR:

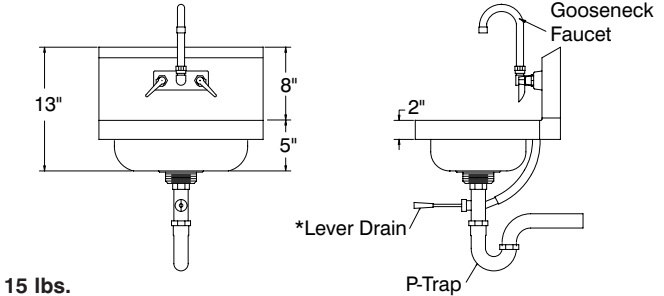
7-PS-50
7-PS-54
7-PS-60
7-PS-68
7-PS-70



Sink Bowl 10" x 14" x 5"

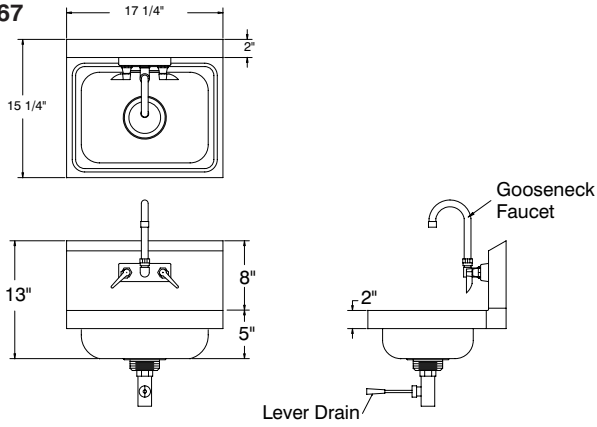
7-PS-50 & 7-PS-54*

NOTE: *7-PS-54 Hand Sink Excludes Lever Drain and Overflow



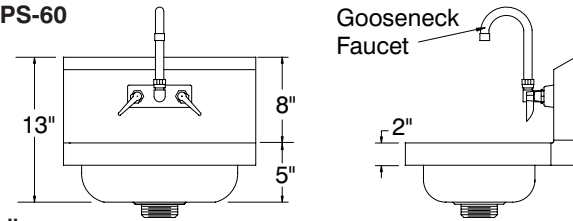
15 lbs.

7-PS-67



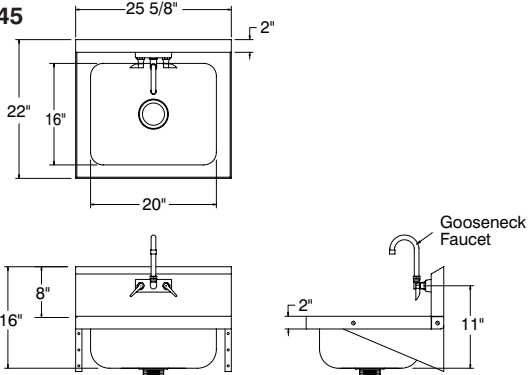
15 lbs.

7-PS-60



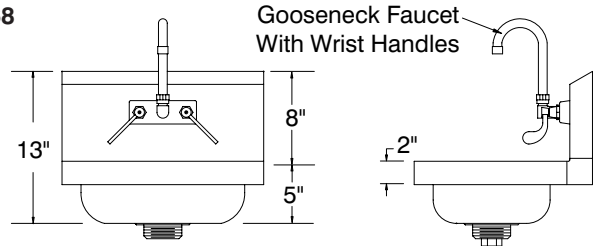
13 lbs.

7-PS-45



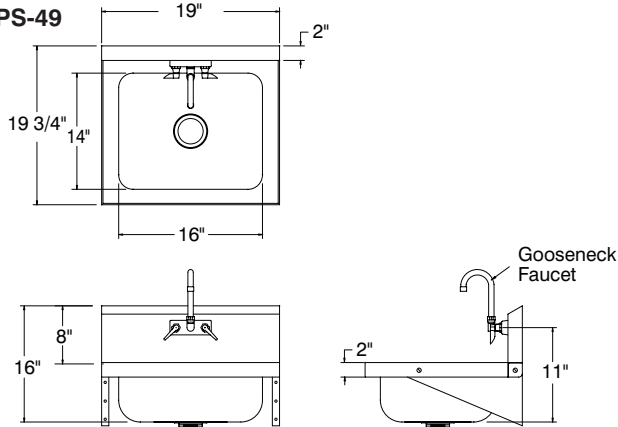
31 lbs.

7-PS-68



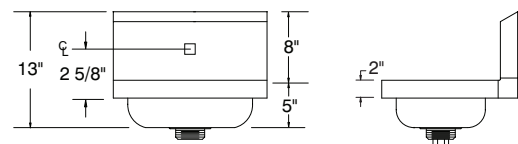
13 lbs.

7-PS-49

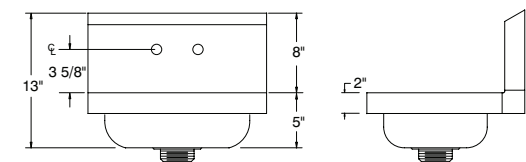


31 lbs.

7-PS-71



7-PS-70



12 lbs.

