



Electrolux

EMPower Open Cupboard Base - 24"

ITEM # _____

MODEL # _____

NAME # _____

SIS # _____

AIA # _____



EMPower

Open Cupboard Base - 24"

169030 (AV24)

EMPower Open Cupboard
Base, 24" wide

Short Form Specification

Item No. _____

EMPower unit to be Electrolux Open Cupboard 24" (610 mm). EMPower unit to be installed below Electrolux top EMPower units. Construction in Stainless Steel. Right-angled side edges to allow flush fitting between EMPower units. Supplied with 6" (150 mm) height adjustable, removable legs. EMPower unit may be installed on castors.

Main Features

- Unit to be installed below Electrolux top models.
- Constructed in Stainless steel with Scotch Brite finish.
- Right-angled side edges to allow flush fitting between units.
- Supplied with 6" (150 mm) height adjustable, removable legs.
- Unit may be installed on castors.
- Base compartment for storage of pots, pans, sheet pans, etc.
- Included Accessories: 4 pins for connection to top units.

Optional Accessories

- Kit connecting bases - 2 plates and 2 wheels PNC 169041
- EMPower kit of 2 side supports for shelf grids for 24" and 36" open cupboard bases PNC 169089
- EMPower shelf grid for 24" open cupboard base PNC 169091
- Portioning Shelf 12" PNC 169173
- Portioning Shelf 16" PNC 169174
- Portioning Shelf 24" PNC 169175
- Kit 4 wheels - 2 swivelling with brake - it is mandatory to install base support and wheels PNC 206135

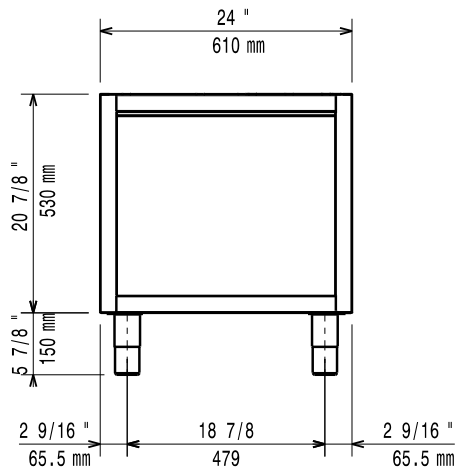
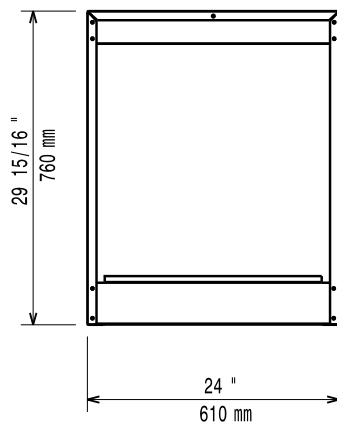
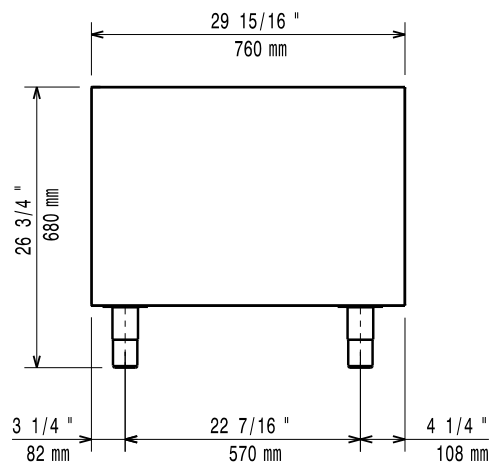


APPROVAL: _____



Electrolux

EMPower
Open Cupboard Base - 24"

Front

Top

Side

Key Information:

External dimensions, Width:	
169030 (AV24)	24 1/32" (610 mm)
External dimensions, Depth:	29 15/16" (760 mm)
External dimensions, Height:	26 11/16" (678 mm)
Net weight:	44 lbs (20 kg)
Shipping width:	26 " (660 mm)
Shipping depth:	35 7/16" (900 mm)
Shipping height:	34 1/4" (870 mm)
Shipping weight:	55 lbs (25 kg)
Shipping volume:	18.25 ft ³ (0.52 m ³)