



ADA Compliant

This Space for Architect/Engineer Approval

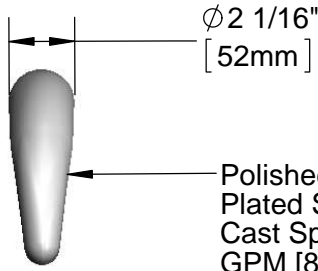
Job Name _____ Date _____

Model Specified _____ Quantity _____

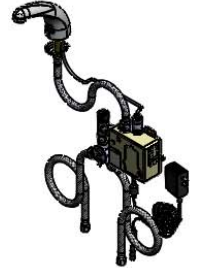
Customer/Wholesaler _____

Contractor _____

Architect/Engineer _____



Polished Chrome Plated Solid Brass Cast Spout w/ 2.2 GPM [8.3 LPM] Vandal Resistant Aerator & Key

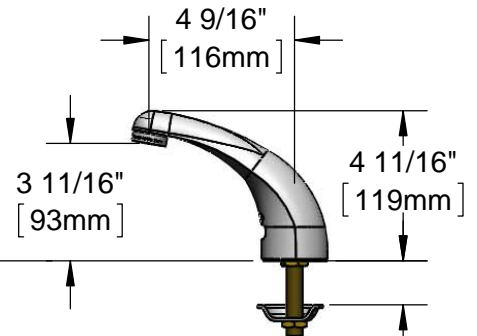


24" [610mm] Sensor Cable

1/4" NPSM Female x 1/2" NPSM Female x 18" [457mm] Long Flexible Stainless Steel Hose

3 5/8" x 4 3/16" x 2" [92mm x 106mm x 51mm] Deep Control Module Box (White) w/ Water Resistant Connections. AC or DC Operated w/ (4) AA Batteries

Mounting Surface



1 3/8" [35mm] Maximum Thickness

Removable Strainer

Mechanical Mixing Valve w/ Integral Check Valves

100-240 VAC Adapter 144" [3658mm] Long Double Power Cord w/ (Remove Rubber Plug in Module to Connect)

(2) 3/8" Compression x 1/2" NPSM 18" [457mm] Flexible Stainless Steel Supply Hoses

Rough-In Requirement:
Ø 1 1/4" [32mm] Mounting Hole

Model Number

5EF-1D-DS

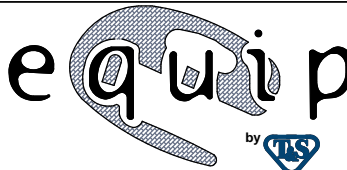
Product Compliance:

ASME A112.18.1 / CSA B125.1
NSF 61 - Section 9
NSF 372 (Low Lead Content)
ANSI A117.1 (ADA)
UL 1951

Product Specifications:

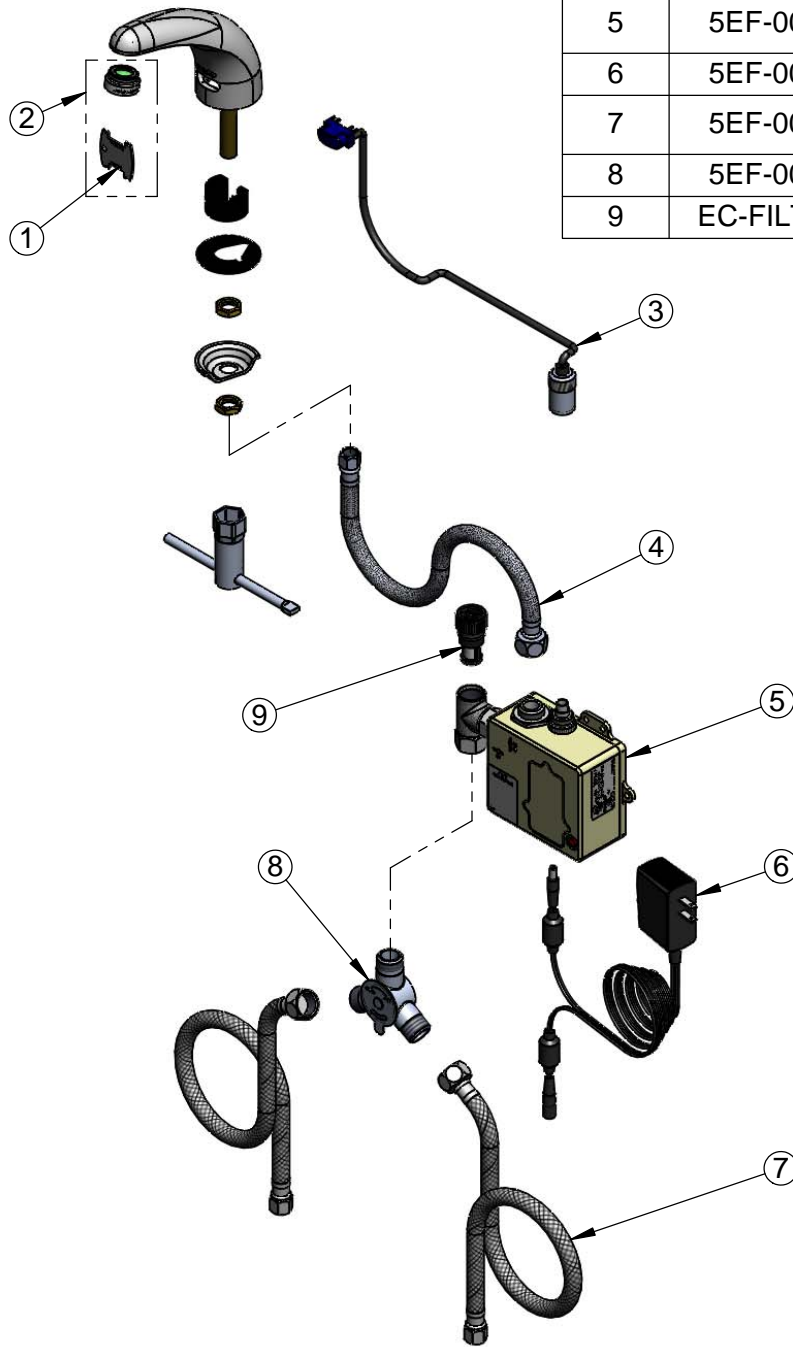
Electronic Faucet: Single Hole Deck Mount Cast Spout Faucet, AC-DC Control Module, Temperature Control Mixing Valve, Integral Check Valves & (2) 18" Flexible Supply Hoses

equip
Foodservice
Accessories



2 Saddleback Cove, P.O. Box 1088
Travelers Rest, South Carolina 29690
Phone: 800.891.4808 Fax: 800.868.0084
equip.tsbrass.com

ITEM NO.	SALES NO.	DESCRIPTION
1	015425-45	Vandal Resistant Key
2	B-0199-09	Vandal Resistant 2.2 GPM Aerator
3	5EF-0003	24" Sensor Cable
4	016297-45	Inlet Hose, Faucet, 1/2" NPSM-F x 1/4" NPSM-F
5	5EF-0001	equip Sensor Faucet - Control Module
6	5EF-0002	equip AC Transformer, 100-240 VAC
7	5EF-0005	Supply Hose, 9/16-24UN Female x 1/2" NPSM
8	5EF-0006	Mechanical Mixing Valve
9	EC-FILTER	Replacement Filter



Model Number

5EF-1D-DS

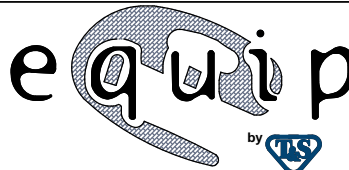
Product Specifications:

Electronic Faucet: Single Hole Deck Mount Cast Spout Faucet, AC-DC Control Module, Temperature Control Mixing Valve, Integral Check Valves & (2) 18" Flexible Supply Hoses

Product Compliance:

ASME A112.18.1 / CSA B125.1
NSF 61 - Section 9
NSF 372 (Low Lead Content)
ANSI A117.1 (ADA)
UL 1951

equip
Foodservice
Accessories



2 Saddleback Cove, P.O. Box 1088
Travelers Rest, South Carolina 29690
Phone: 800.891.4808 Fax: 800.868.0084
equip.tsbrass.com