

Project Name: _____ AIA#: _____

Model #: _____ Location: _____

SIS#: _____ Item #: _____ Quantity: _____



Flywheel Slicers

The Perfect Prosciutto Presentation Slicer

This vintage design accommodates traditionally over-sized artisan meats for theater-style, paper-thin slicing with effortless operation.



FS14
Shown with
optional pedestal

Models

- FS12 - 12" Flywheel Slicer **NEW SIZE!**
- FS14 - 14" Flywheel Slicer (Pictured)

Standard Features

- Traditional hollow ground chrome-plated carbon steel precision knife
- Large low-resistance flywheel for superior speed control and easy operation
- FS14 accommodates oversized product
- Built-in knife sharpener
- Fully hand-operated, no electrical connection required
- Designed for ease of cleaning; meets demanding sanitation certification requirements
- Ring guard for blade protection
- Precision slice adjustment with 9 settings from tissue-thin up to 3/32" (2.5mm)
- Baked enamel paint and premium decorative gold hand detailing
- Aluminum receiving shelf

Warranty

- *Two years parts and labor*

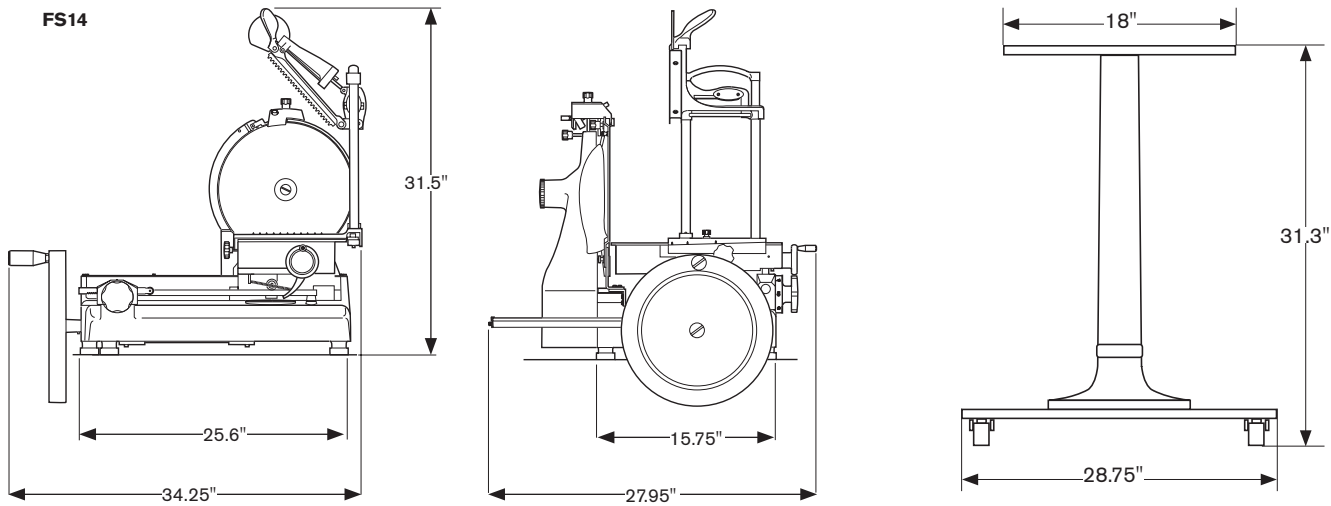
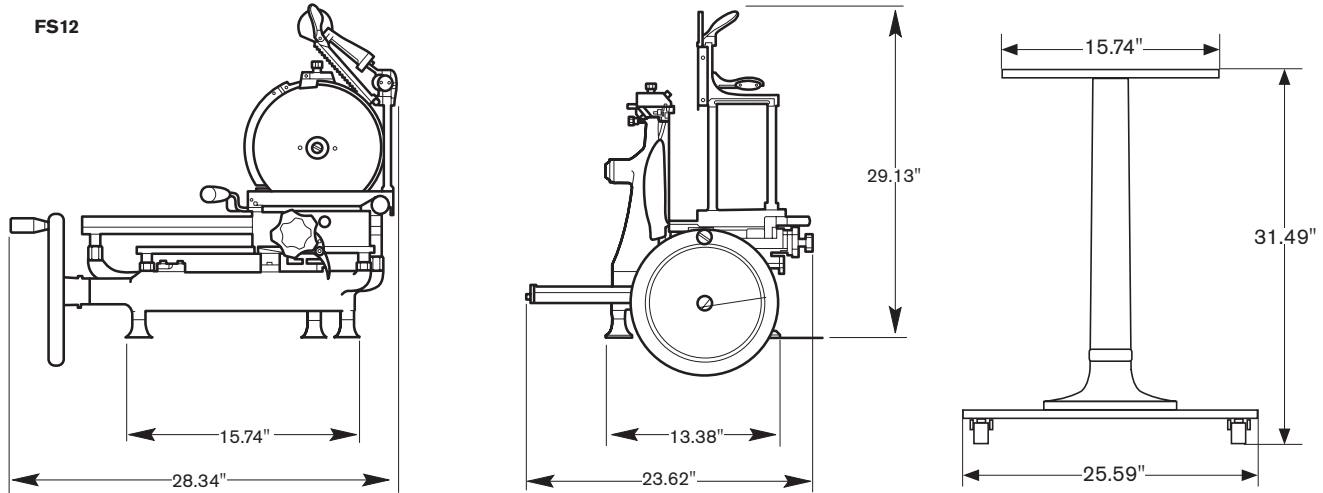
Optional Mobile Pedestal

- Slicer pedestal – heavy-duty artisan pedestal with locking casters for mobility
- Authentic Italian marble receiving shelf

To select options see back



Approved by: _____ Date: _____



DIMENSIONS | SHIPPING INFORMATION

Model	Overall Dimensions	Net Weight	Shipping Dimensions	Shipping Weight
FS12	23.62" W x 28.34" D x 29.13" H (60 cm x 72 cm x 74 cm)	86 lbs. (39 kg)	34.25" W x 30.75" D x 34" H (86.9 cm x 78.1 cm x 86.4 cm)	154 lbs. (69.8 kg)
FS14	27.95" W x 34.25" D x 31.5" H (71 cm x 87 cm x 80 cm)	178.57 lbs. (81 kg)	35.4" W x 35.4" D x 39.4" H (90 cm x 90 cm x 100 cm)	271.2 lbs. (123 kg)
FS12STAND	25.59" W x 19.68 D x 31.49" H (40 cm x 50 cm x 80 cm)	101.41 lbs. (46 kg)	36.2" W x 41.3" D x 38.58" H (86.9 cm x 78.1 cm x 86.4 cm)	154 lbs. (69.8 kg)
FSSTAND	28.75" W x 27.56" D x 31.3" H (73 cm x 70 cm x 79.5 cm)	224.8 lbs. (102 kg)	35.4" W x 35.4" D x 39.4" H (90 cm x 90 cm x 100 cm)	317.5 lbs. (144 kg)

OPTIONAL PEDESTAL

- FS12STAND** FS12 pedestal with locking casters (see above for dimensions)
- FSSTAND** FS14 pedestal with locking casters (see above for dimensions)
- FS12TRAY-MARBLE** Marble receiving tray for FS12
- FS14TRAY-MARBLE** Marble receiving tray for FS14

Made of aluminum and steel with a vintage red enamel finish, the flywheel slicer is designed for rapid cleaning and meets the most demanding sanitation requirements. The unit is fully hand-operated and does not require electric power. The blade sharpener is built-in for effective and sharp slicing. Equipped with ring guard around blade. Aluminum receiving shelf. ETL Sanitation conforms to NSF/ANSI STD. 2. Two-year parts and labor warranty.