

**T&S BRASS AND BRONZE WORKS, INC.**  
 2 SADDLEBACK COVE / P.O. BOX 1088 / TRAVELERS REST, SC 29690  
 PHONE 800-476-4103 - FAX 864- 834-3518



Model No.

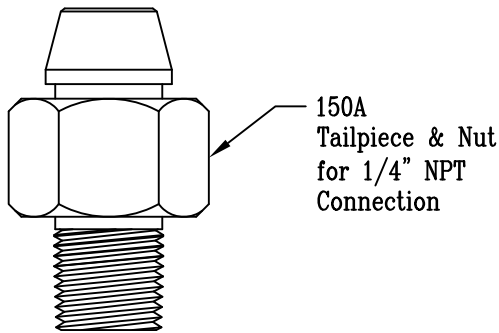
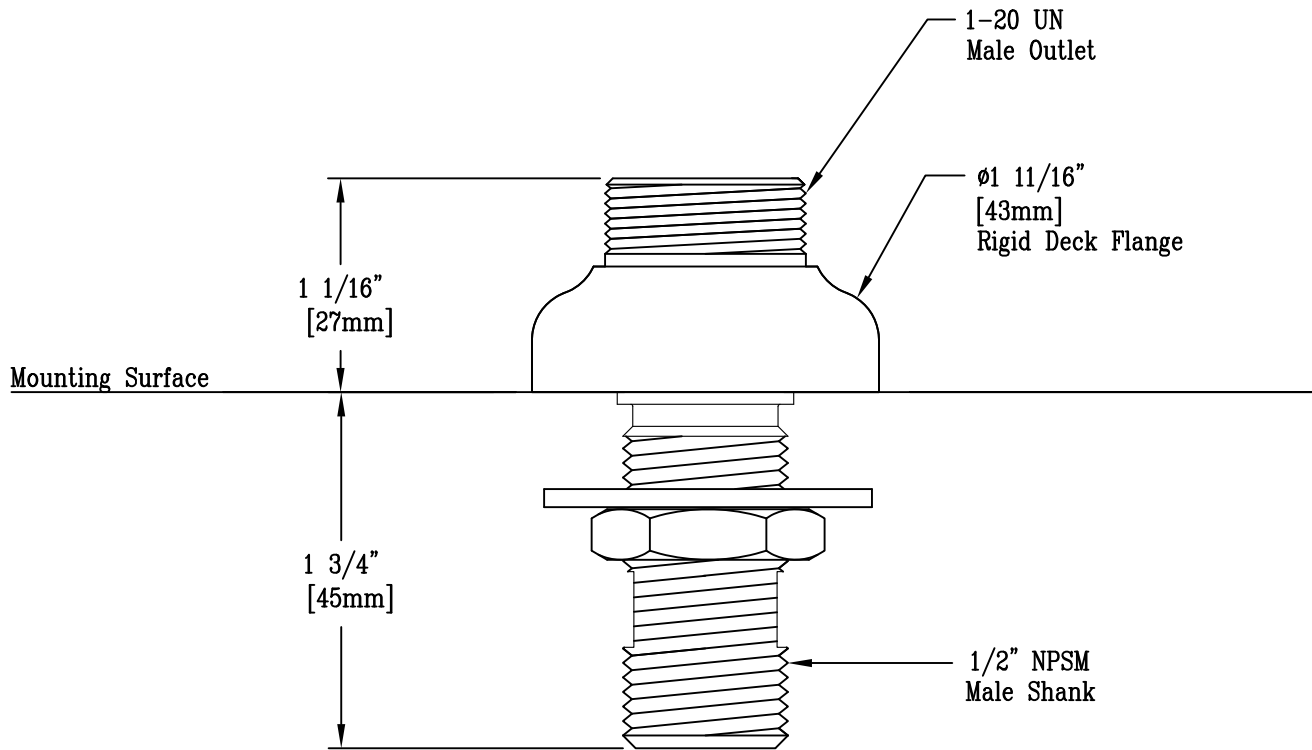
B-0431

**RELIABILITY  
 BUILT IN**

Job Name:

Architect/Engineer Approval:

Notes:



Note: Rough-In Requirement:  
 Ø1" [25mm] Mounting Hole

Product Description:  
 Deck Mount Swivel Base Outlet, Designed for Swing Nozzles & Swivel Goosenecks

Drawn: KJG	Checked DHL	Scale: 1:1
Approved JHB		Date: 02/08/11