

BACK BAR LIQUOR STEPS CABINETS

MODELS

- BNLS-18
- BNLS-24
- BNLS-30



Perlick Features

- Stainless Steel Construction
- Four sound deadened steps
- Aligns with back bar coolers
- Customizable with several accessories

Form No. SB05



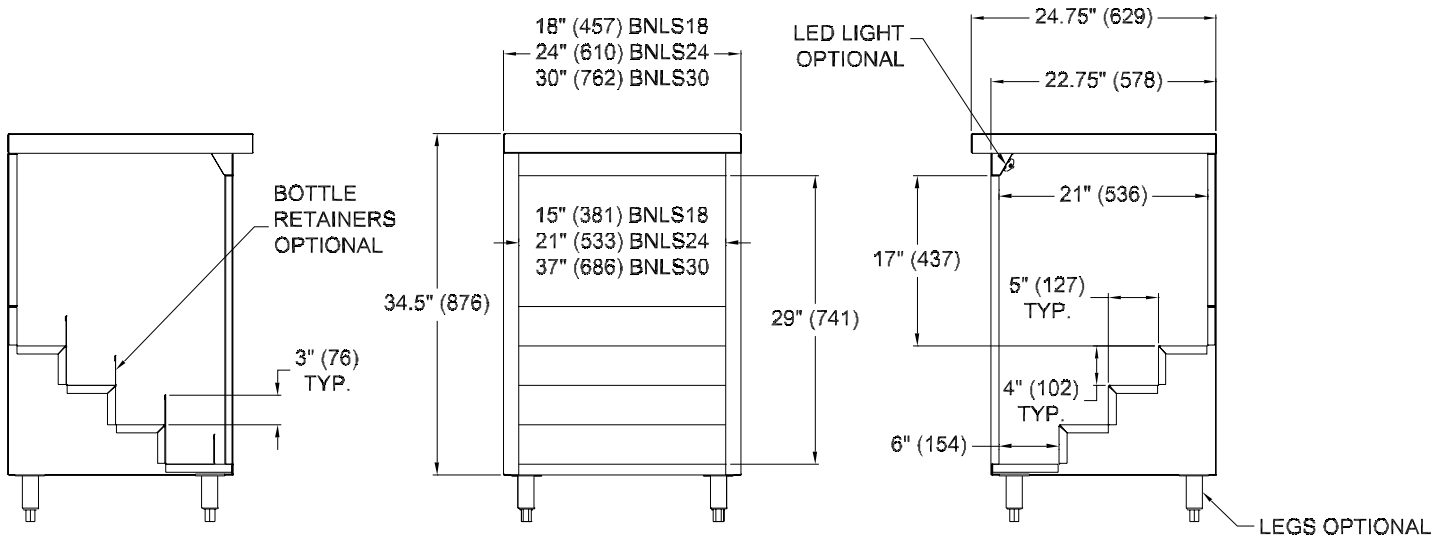
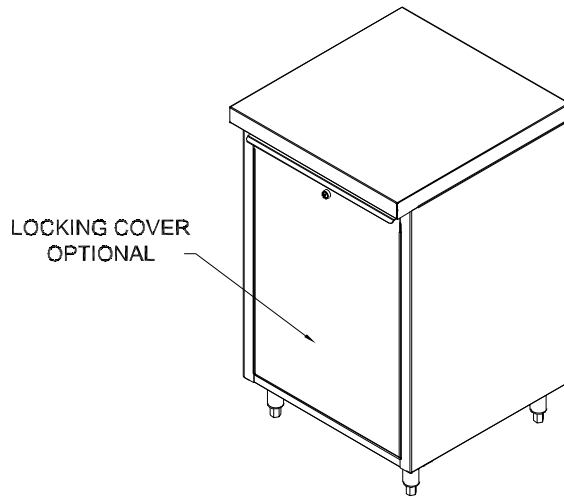
8300 West Good Hope Road • Milwaukee, WI 53223 • Phone 414.353.7060 • Fax 414.353.7069
Toll Free 800.558.5592 • E-Mail perlick@perlick.com • www.perlick.com

Size and Specifications

Back Bar Liquor Steps

Job _____
 Area _____
 Item No. _____
 Model No. _____

MODEL NOS.		BNLS-18	BNLS-24	BNLS-30
DIMENSIONS	LENGTH IN. (mm)	18" (457)	24" (610)	30" (762)
	DEPTH IN. (mm)	24-3/4" (629)	24-3/4" (629)	24-3/4" (629)
	HEIGHT IN. (mm)	34-1/2" (876)	34-1/2" (876)	34-1/2" (876)
CONSTRUCTION		ALL STAINLESS STEEL		
OPTIONAL ACCESSORIES & MODIFICATIONS		<ul style="list-style-type: none"> • LED Lights • Leg Sets • Base plates 		



Form No. SB05



8300 West Good Hope Road • Milwaukee, WI 53223 • Phone 414.353.7060 • Fax 414.353.7069
 Toll Free 800.558.5592 • E-Mail perlick@perlick.com • www.perlick.com

Perlick is committed to continuous improvement. Therefore, we reserve the right to change specifications without prior notice