

ADVENTYS

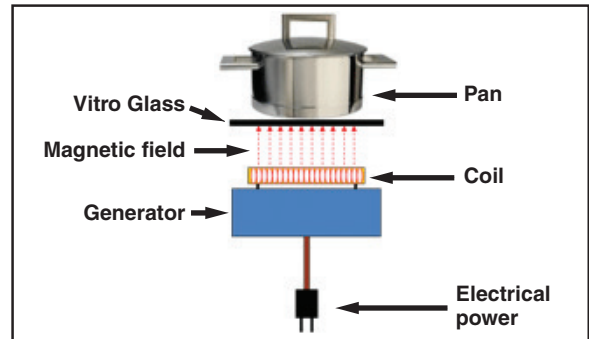
INDUCTION

CONCEPT

INDUCTION COOKERS FOR PROFESSIONALS

High energy efficiency (90%) and your cooking area stays cool too!

- ❑ Stainless steel casing
- ❑ Counter-top or semi-recessed installation
- ❑ Easy to clean capacitive touch controls
- ❑ Superior airflow and cooling fans permit all day use
- ❑ Large induction coil for stockpots and large pans
- ❑ Automatic pan detection / power supply monitor
- ❑ Controlled high temperature feature for stir fry and sauté
- ❑ Precision low temperature control for sauces and chocolates
- ❑ Empty pan security/automatic overheating protection
- ❑ Small article protection/oil auto ignition shutoff
- ❑ Removable grease filter to clean air intake



TIGLION

BWIC 3600

208/240 V



- Heavy duty 6mm vitroceramic glass
- 11" curved coil for fast heat transfer
- Uniform temperature at bottom & sides
- Stainless steel edge frame protects glass and pan
- 14 1/8" (36cm) dia. wok fits 11 3/4" (30cm) dia. wok opening
- Control panel: on/off + (+/-) + (3) presets +99 min. timer

PANTHER

BRIC 2500, 3000, 3600

208/240 V



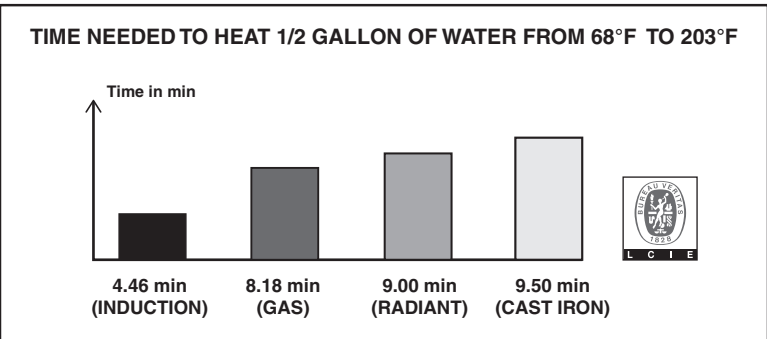
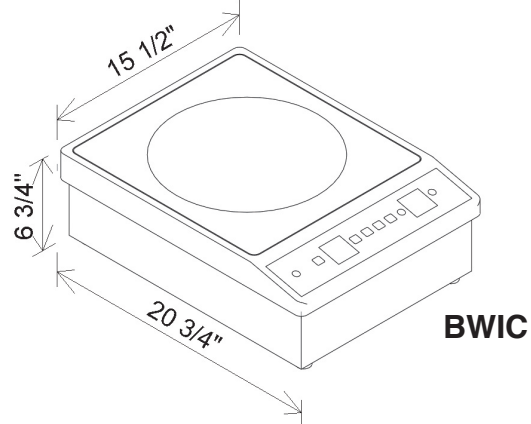
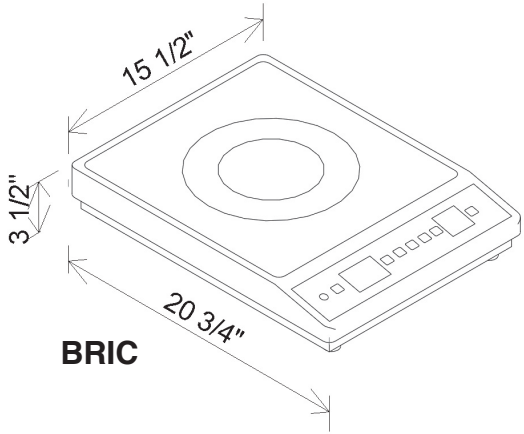
- Durable 4mm vitroceramic glass
- 11" coil for fast heat transfer
- Temperature in °F or 4-digit power level display
- Control panel: on/off + (+/-) + (2) presets +99 min. timer
- 25 power levels + 110 temperature levels (86°F - 284° F)



765 WESTMINSTER STREET PROVIDENCE, RI 02903
TEL: (401)273-3300 FAX: (401) 273-3328 E-mail: sales@equipex.com
www.equipex.com



Induction Warmers and Cookers



INDUCTION TECHNOLOGY

How does it work? Induction is a basic principal of physics. When the electric current goes through a copper coil it creates a magnetic field. The pan attracts the magnetic field and creates heat. Induction technology is over **90% efficient**, therefore there is no waste of power or heat. As soon as the pan is removed, the induction unit turns off and **saves you energy**.

SPECIFICATIONS

NOTE: REQUIRES THE USE OF INDUCTION READY COOKWARE

MODEL	ELECTRICAL	EXTERIOR DIMENSIONS	CUT OUT SIZE SEMI-RECESSED INSTALLATION STYLE	SHIPPING WEIGHT	NEMA PLUG
BRIC 2500	208/240V, 1PH 2.5KW, 11/12 Amps	15½"W x 20¾"D x 3½"H	14½"W x 19¾"D	25 lbs	6 - 20P
BRIC 3000	208/240V, 1PH 3.0KW, 13/15 Amps	15½"W x 20¾"D x 3½"H	14½"W x 19¾"D	25 lbs	6 - 20P
BRIC 3600	208/240V, 1PH 3.6KW, 15/18 Amps	15½"W x 20¾"D x 3½"H	14½"W x 19¾"D	25 lbs	L6 - 30P
BWIC 3600	208/240V, 1PH 3.6KW, 15/18 Amps	15½"W x 20¾"D x 6¾"H	14½"W x 19¾"D	30 lbs	L6 - 30P

WARRANTY: Limited two-year parts and labor



765 WESTMINSTER STREET PROVIDENCE, RI 02903
 TEL: (401)273-3300 FAX: (401) 273-3328 E-mail: sales@equipex.com
 www.equipex.com