

GENERAL INFORMATION

Project Name: _____
Item: _____
Quantity: _____
Model: _____ XG3560 _____
Length: _____

STANDARD NSF LISTED FINISH OPTIONS

- | | |
|---|--|
| <input type="checkbox"/> Brushed Aluminum | <input type="checkbox"/> Chrome |
| <input type="checkbox"/> Gloss Black | <input type="checkbox"/> Wrinkle Black |
| <input type="checkbox"/> Smoked Copper | <input type="checkbox"/> Polished Brass Finish |
| <input type="checkbox"/> Other _____ | |

GLASS OPTIONS

- | |
|--|
| <input type="checkbox"/> 1" Radius Corner (standard) |
| <input type="checkbox"/> Square Corners |
| <input type="checkbox"/> 1/4" Tempered Glass (not for shelves)
Centerline Max 54" |
| <input type="checkbox"/> 3/8" Tempered Glass (for shelf or span more than 54")
Centerline Max 66" |
| <input type="checkbox"/> 1/2" Tempered Glass (for shelf or span more than 66")
Centerline Max 72" |

INSTALLATION OPTIONS

Above-Counter: Stainless Steel Counter
Under-Counter: Stainless Steel Counter
 (Requires Under-Counter Reinforcement & Access)

Above-Counter: Millwork Counter

Under-Counter: Millwork Counter

- | |
|--|
| <input type="checkbox"/> SS1: EZ Mount 2" x 8" Flange |
| <input type="checkbox"/> SSU3-H: Heavy-Duty Flange |
| <input type="checkbox"/> SSU3-N: Narrow Flange |
| <input type="checkbox"/> SSU5-H: Heavy-Duty Flange |
| <input type="checkbox"/> SSU5-N: Narrow Flange |
| <input type="checkbox"/> MW1: Heavy-Duty Flange |
| <input type="checkbox"/> MW2: Narrow Flange |
| <input type="checkbox"/> MWU3: Narrow Flange |
| <input type="checkbox"/> MWU4: Compression Installation (not recommended for solid surfaces) |
| <input type="checkbox"/> MWU5: Heavy-Duty Flange |

See Installation Page for More Details.

* Approval Drawings Required

Printed in the U.S.A. (August 2017) BSI, LLC
 Specifications subject to change without notice.

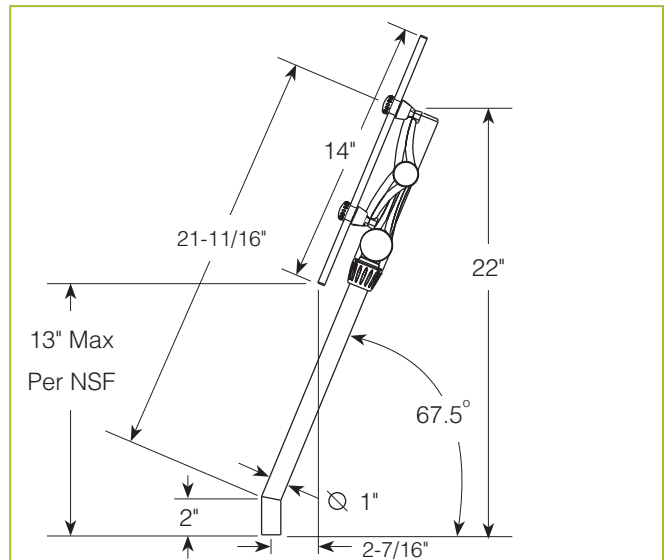
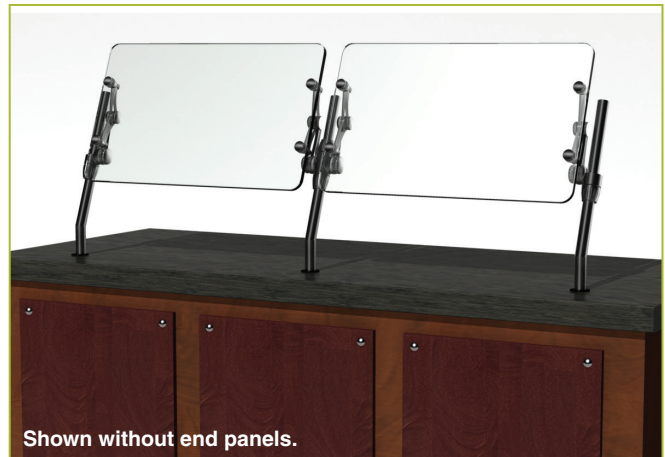
Patent Number US 8,403,430 B2

Rv. 11



XG3560

Front Counter Installation



To meet NSF guidelines, end panels are included on all BSI quotations unless specifically excluded. (See End Panel Page for More Details.)