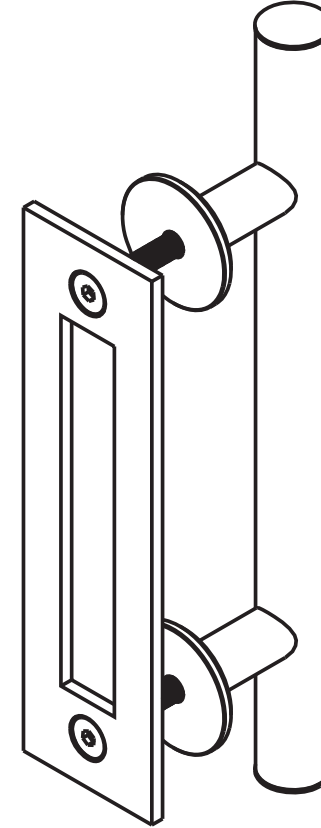
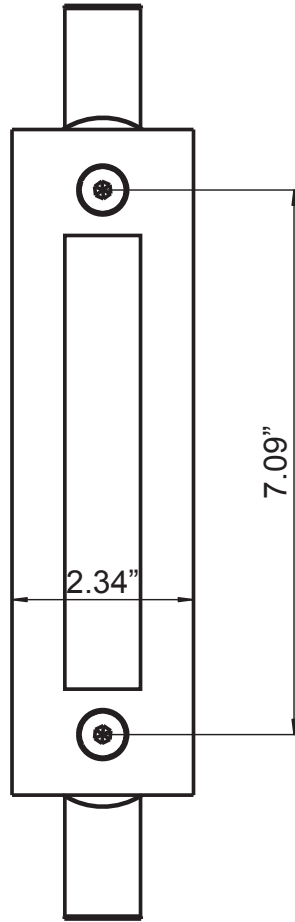
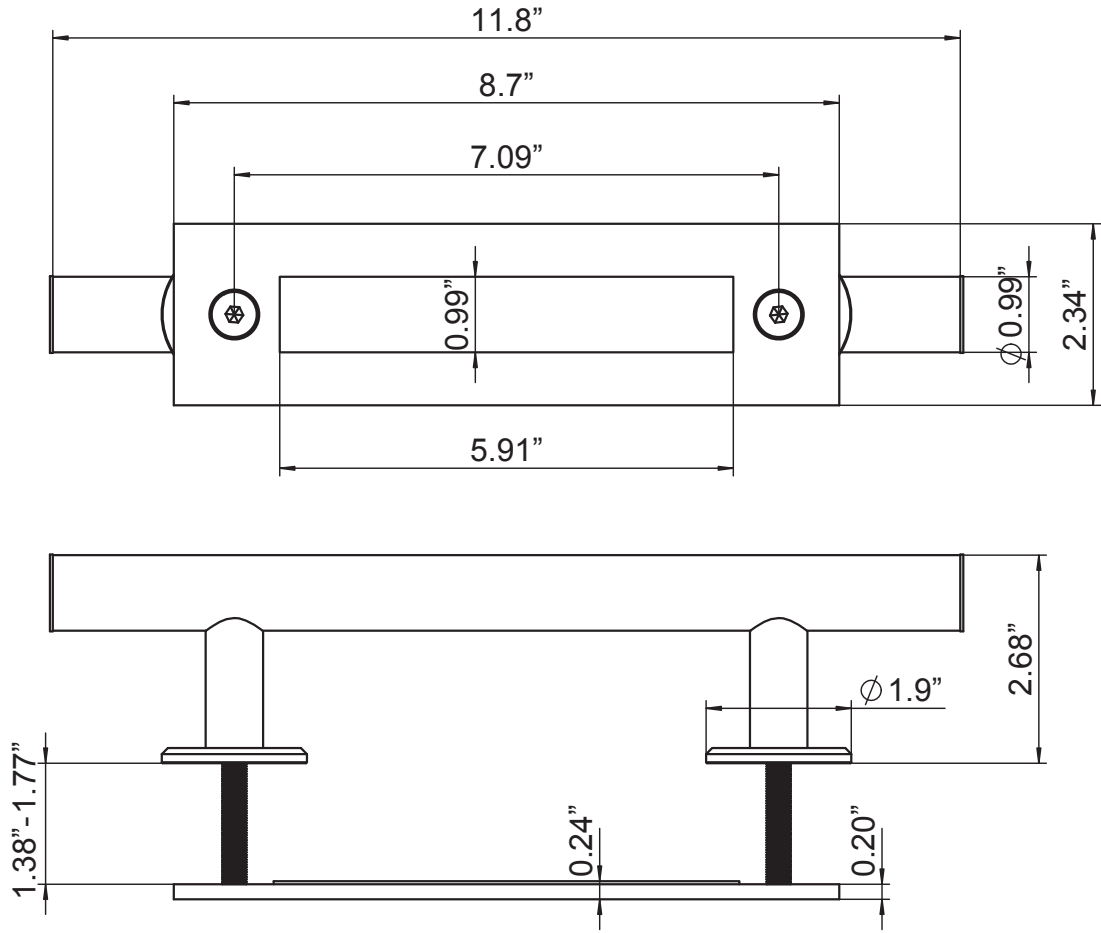


Side view



DIMENSIONS ARE IN mm TOLERANCES FRACTIONAL ± ANGULAR: MACH ± BEND ± ONE PLACE DECIMAL ± TWO PLACE DECIMAL ±		NAME	DATE		
	DRAWN				
	CHECKED			ITEM NUMBER	
	ENG APPR.			SDH-P176	
	MFG APPR.			SIZE	DWG.NO.
Q.A.			A	Handle	0
MATERIAL: SS304	COMMENTS:		DO NOT SCALE DRAWING		SHEET 1 OF 1
FINISH:					
WEIGHT(GR):					



DIMENSIONS ARE IN mm
 TOLERANCES
 FRACTIONAL ±
 ANGULAR: MACH ± BEND ±
 ONE PLACE DECIMAL ±
 TWO PLACE DECIMAL ±

MATERIAL: Q235

FINISH:

WEIGHT(GR):

	NAME	DATE
DRAWN		
CHECKED		
ENG APPR.		
MFG APPR.		
Q.A.		
COMMENTS:		

ITEM NUMBER		
SDH-P176		
SIZE	DWG.NO.	REV.
A	Handle	0
DO NOT SCALE DRAWING		SHEET 1 OF 1