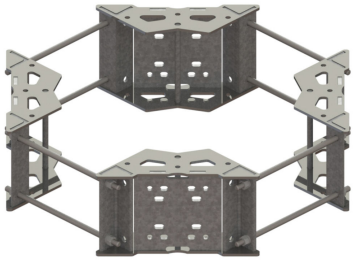


MC-RM1030-4



Universal Ring Mount, 10 in to 30 in OD

Product Classification

Product Type Universal ring mount

General Specifications

Mounting Monopole, 254–762 mm (10–30 in) OD

Sectors, quantity 4

Dimensions

Height 254 mm | 10 in

Width 457.2 mm | 18 in

Length 152.4 mm | 6 in

Mounting Diameter, maximum 762 mm | 30 in

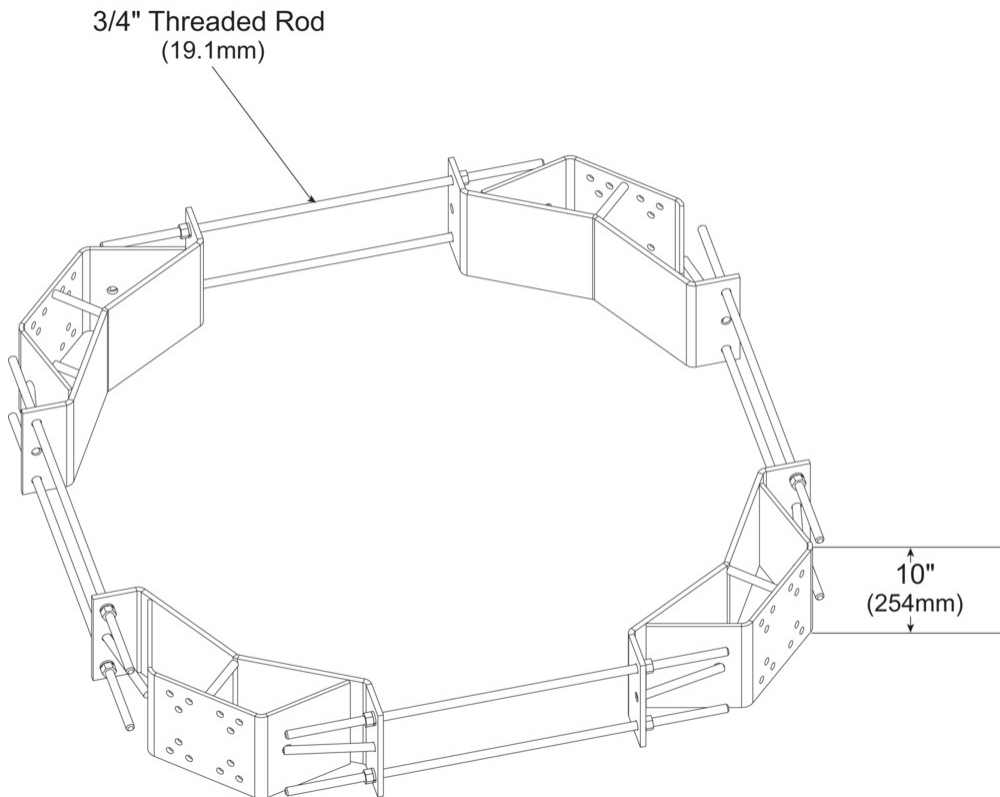
Mounting Diameter, minimum 254 mm | 10 in

Mounting Circumference, maximum 2,392.68 mm | 94.2 in

Mounting Circumference, minimum 797.56 mm | 31.4 in

MC-RM1030-4

Outline Drawing



Material Specifications

Material Type Hot dip galvanized steel

Mechanical Specifications

Wind Rating 140 mph (BWS) at 150 ft AGL | 160 mph (3-second gust) at 150 ft AGL using Exposure D per FBC

Wind Rating Criteria Four 72 in x 8 in panel antennas per sector

Wind Rating Test Method TIA/EIA-222

Packaging and Weights

Included Mount | Threaded rod

Packaging quantity 1

Weight, net 140.704 kg | 310.2 lb

Regulatory Compliance/Certifications

MC-RM1030-4

Agency

ISO 9001:2015



Classification

Designed, manufactured and/or distributed under this quality management system

* Footnotes

Wind Rating

BWS—Base Wind Speed; FBC—Florida Building Code