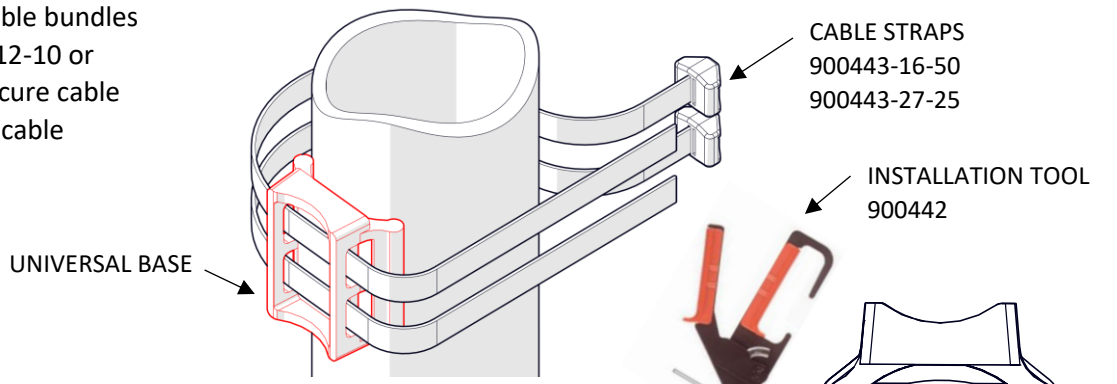


The round member adapter can be used by itself to secure cable bundles or can be used with 900712-10 or 900713-10 adapters to secure cable support blocks or snap-in cable hangers.

**Cable Bundles**

**STEP 1**

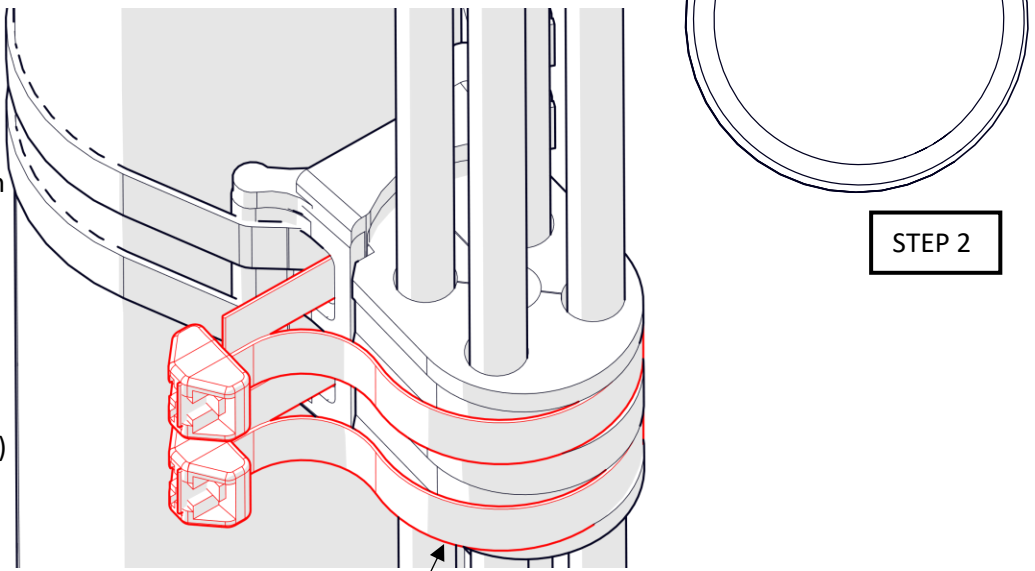
Pass appropriate length of PIM Shield Cable Straps through Universal Base, around pipe, and back through Locking Head.



STEP 1

**STEP 2**

Use Cable Strap installation tool (900442 or equivalent) to tighten cable strap in position shown and flush cut tail to Locking Head.



STEP 2

**STEP 3**

Pass Cable Straps (900443-16-50) through Universal Base, around cable bushing/bundle, and back through Locking Head.

STEP 3

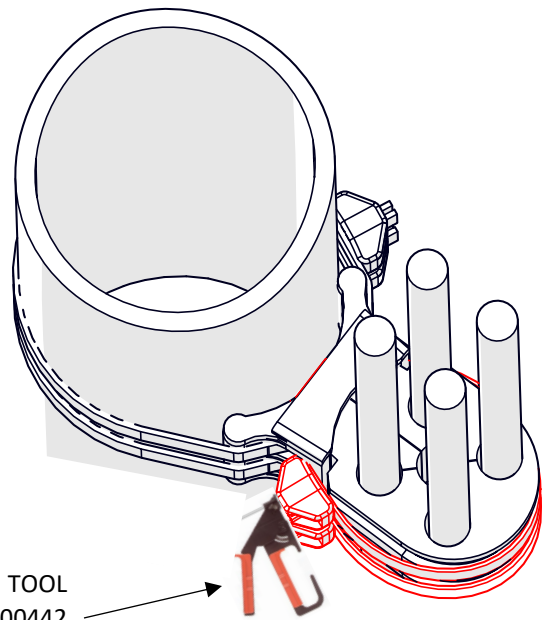
CABLE STRAPS  
900443-16-50  
900443-27-25

**STEP 4**

Use Cable Strap installation tool (900442 or equivalent) to tighten cable straps in position shown and flush cut to Locking Head.

STEP 4

INSTALLATION TOOL  
900442

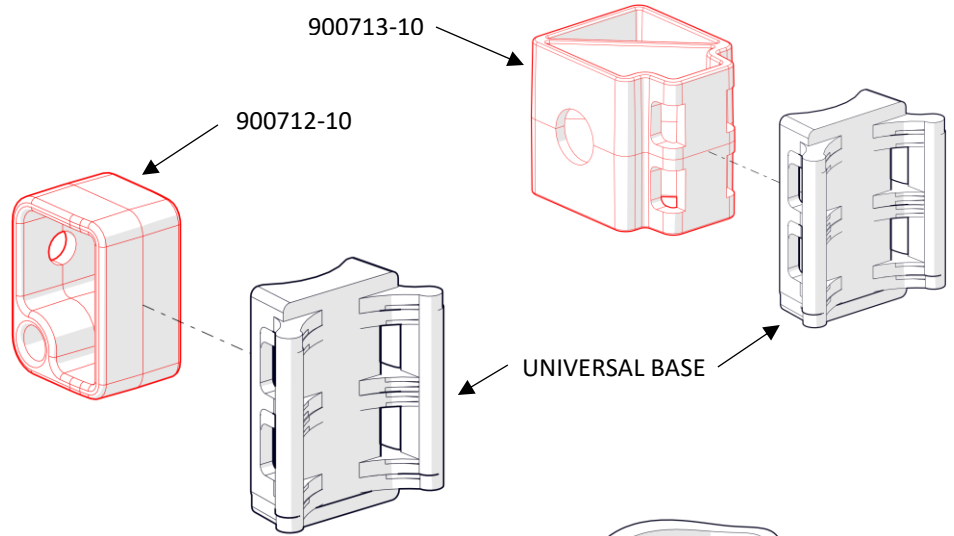


**Adapters** (see reverse)

**Adapters**

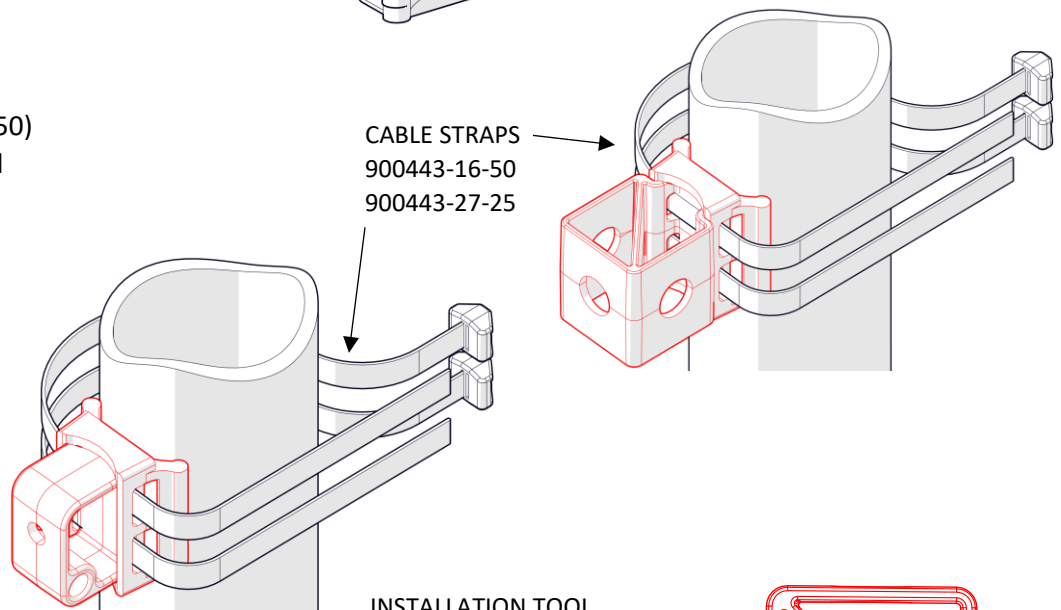
**STEP 1**

Install Adapter (900712-10 or 900713-10) into Universal Base.



**STEP 2**

Pass Cable Straps (900443-16-50) through Adapter and Universal Base, around pipe, and back through Locking Head.



**STEP 3**

Use Cable Strap installation tool (900442 or equivalent) to tighten cable straps in position shown and flush cut to Locking Head.

