

WB-BS

Base Shoe for 3-1/2 in OD pipe, hardware included

Dimensions

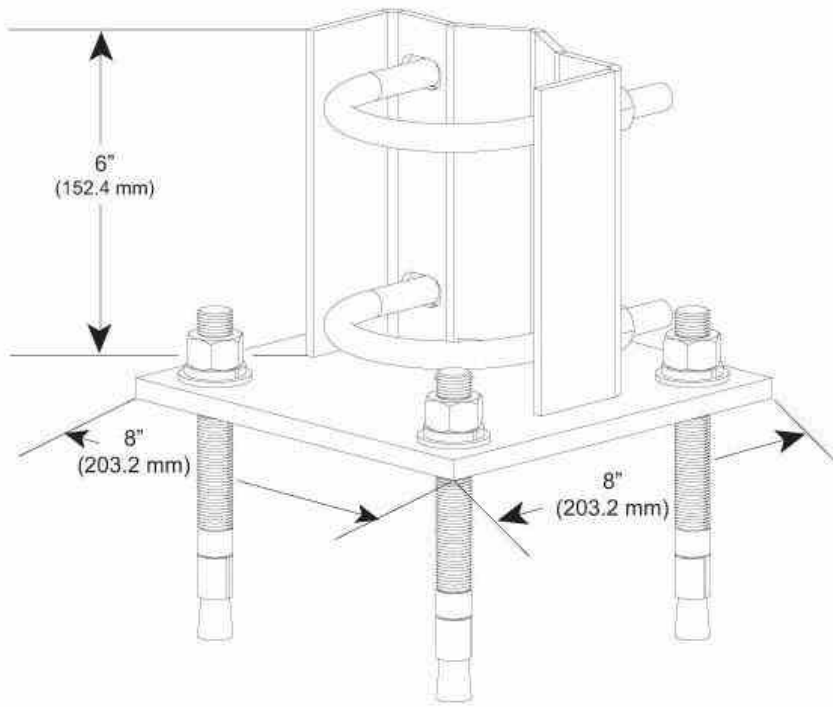
Width	203.2 mm		8.0 in
Height	152.4 mm		6.0 in
Length	203.2 mm		8.0 in
Weight	8.7 kg		19.2 lb

General Specifications

Product Type	Base shoe
Application	Base shoe
Includes	Hardware Mount
Material Type	Hot dip galvanized steel
Mounting	Pipe, 88.9 mm (3-1/2 in) OD
Package Quantity	1

WB-BS

Outline Drawing



Regulatory Compliance/Certifications

Agency	Classification
ISO 9001:2008	Designed, manufactured and/or distributed under this quality management system

Included Products

MT-280 — Wedge Anchor, 5/8 in x 6 in