

Trapeze Kit, triple tee, 24 in wide, three rungs

Product Classification

Product Type Trapeze kit

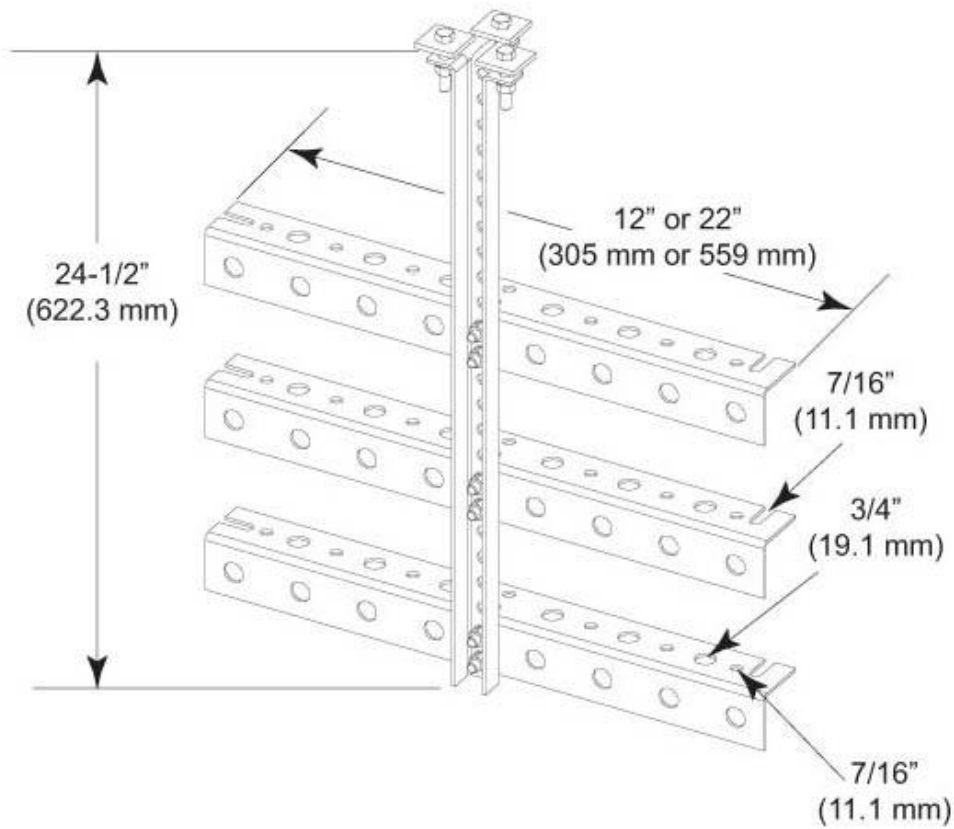
Dimensions

Width 609.6 mm | 24.0 in
Height 76.2 mm | 3.0 in
Length 635.0 mm | 25.0 in
Weight 5.9 kg | 13.0 lb

General Specifications

Application Waveguide bridge kit, 24 in
Cable Runs, quantity 24
Hole Size 3/4 in | 7/16 in
Hole, quantity 24
Includes Angle brackets | Mounting hardware
Material Type Hot dip galvanized steel
Mounting Waveguide bridge channel
Package Quantity 1
Rungs, quantity 3

Outline Drawing



Regulatory Compliance/Certifications

Agency

ISO 9001:2015

Classification

Designed, manufactured and/or distributed under this quality management system

