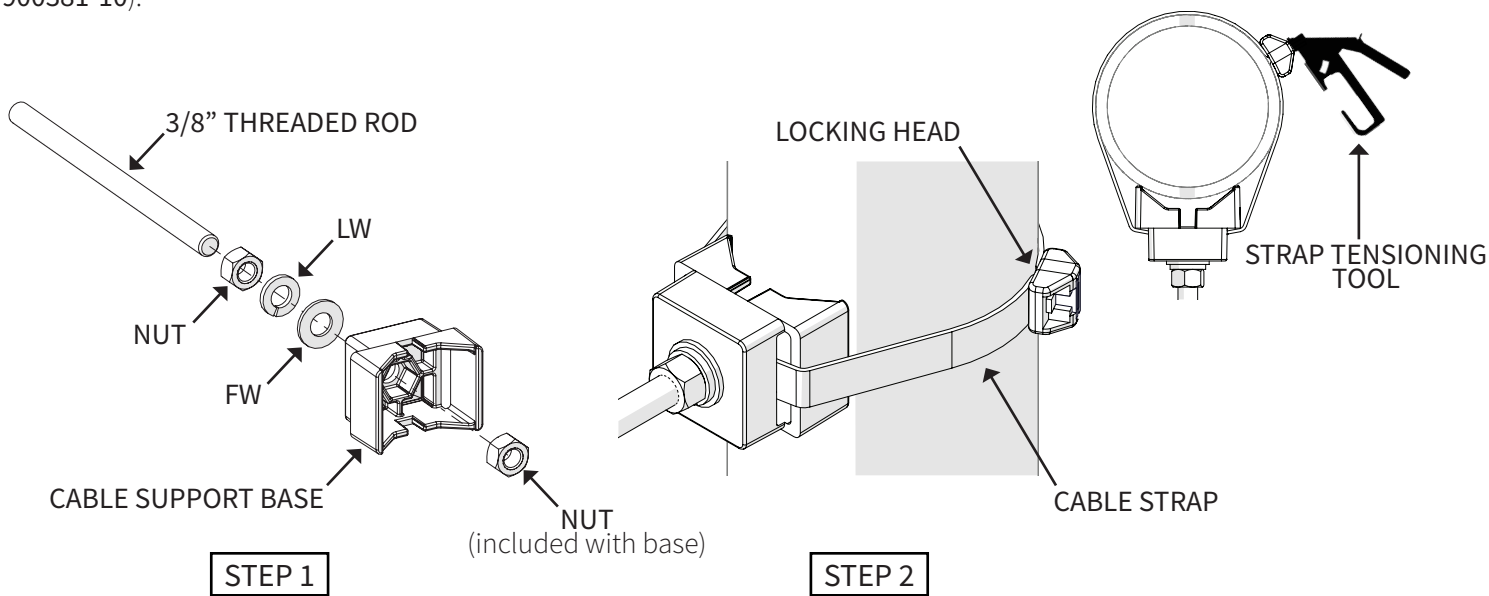
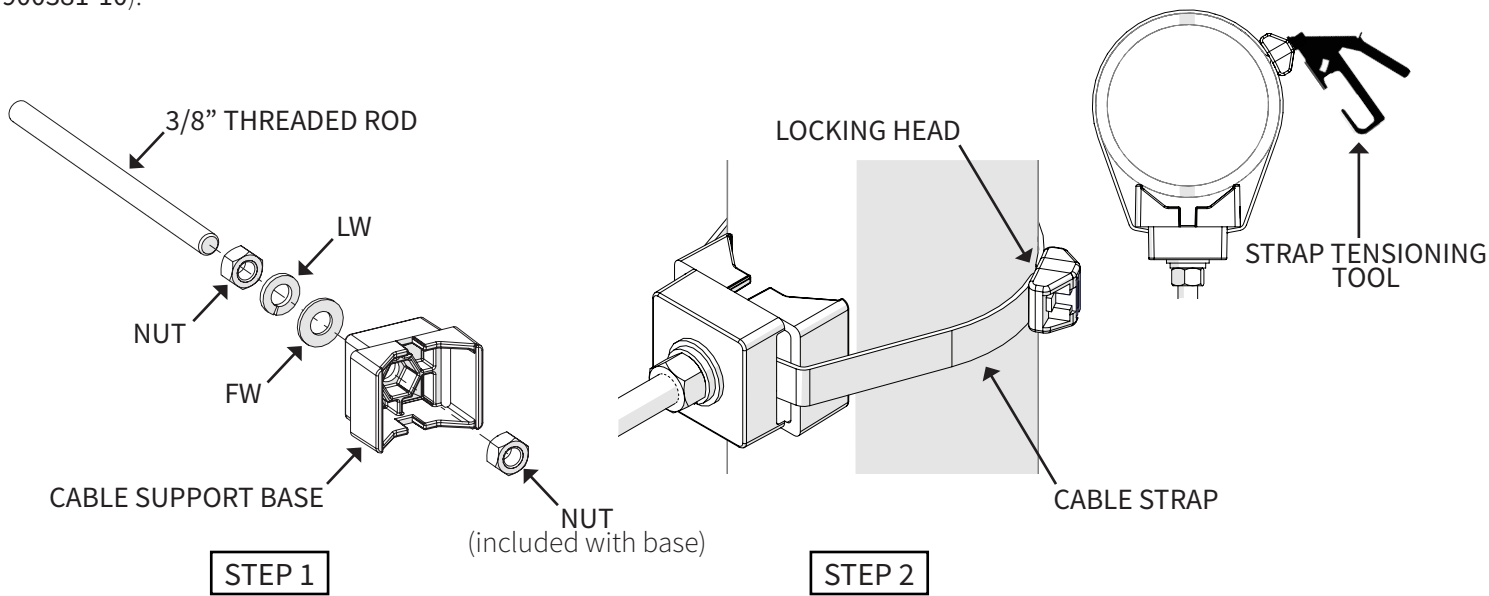


STEP 1: Attach Threaded Rod (sold separately) to PIM Shield Cable Support Base (Torque greater than 10 ft-lb). Use existing stainless steel (not galvanized) site hardware or new Threaded Rod Kits (PN's: 900210-10, 900211-10, 900212-10, 900381-10).



STEP 2: Secure Snap-in Support Base to a round or angle member using Cable Strap(s) (PN's: 900443-16-50 or 900443-27-25). Use Strap Tensioning tool (900442 or equivalent) to tighten Cable Strap(s). Trim Strap(s) flush to Locking Head.

STEP 1: Attach Threaded Rod (sold separately) to PIM Shield Cable Support Base (Torque greater than 10 ft-lb). Use existing stainless steel (not galvanized) site hardware or new Threaded Rod Kits (PN's: 900210-10, 900211-10, 900212-10, 900381-10).



STEP 2: Secure Snap-in Support Base to a round or angle member using Cable Strap(s) (PN's: 900443-16-50 or 900443-27-25). Use Strap Tensioning tool (900442 or equivalent) to tighten Cable Strap(s). Trim Strap(s) flush to Locking Head.