

# L4PNM-H

---

Type N Male for 1/2 in LDF4-50A cable. Only available through distribution

## Product Classification

<b>Brand</b>	HELIAX®
<b>Product Type</b>	Wireless and radiating connector

## General Specifications

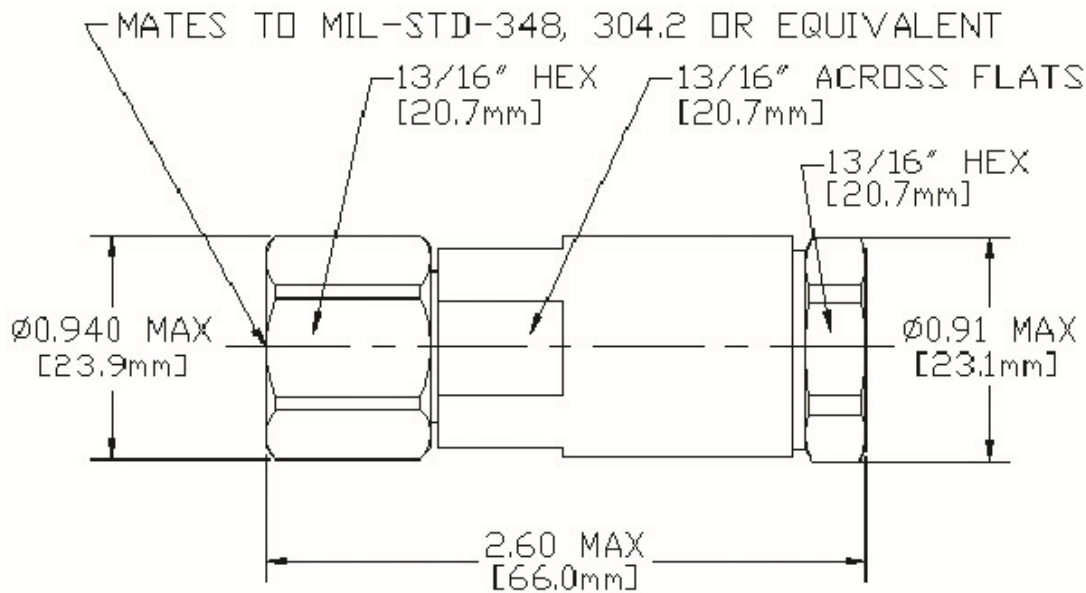
<b>Interface</b>	N Male
<b>Body Style</b>	Straight
<b>Mounting Angle</b>	Straight
<b>Ordering Note</b>	CommScope® non-standard product

## Electrical Specifications

<b>Connector Impedance</b>	50 ohm
<b>Operating Frequency Band</b>	0 – 8800 MHz
<b>Cable Impedance</b>	50 ohm
<b>RF Operating Voltage, maximum (vrms)</b>	707.00 V
<b>Outer Contact Resistance, maximum</b>	0.30 mOhm
<b>Inner Contact Resistance, maximum</b>	2.00 mOhm
<b>Insertion Loss, typical</b>	0.05 dB

# L4PNM-H

## Outline Drawing



## Mechanical Specifications

<b>Outer Contact Attachment Method</b>	Self-flare
<b>Inner Contact Attachment Method</b>	Solder
<b>Outer Contact Plating</b>	Trimetal
<b>Inner Contact Plating</b>	Gold
<b>Attachment Durability</b>	25 cycles
<b>Interface Durability</b>	500 cycles
<b>Interface Durability Method</b>	IEC 61169-16:9.5
<b>Connector Retention Tensile Force</b>	890 N   200 lbf
<b>Connector Retention Torque</b>	5.42 N-m   48.00 in lb
<b>Pressurizable</b>	No
<b>Coupling Nut Proof Torque</b>	4.52 N-m   40.00 in lb
<b>Coupling Nut Retention Force</b>	444.82 N   100.00 lbf
<b>Coupling Nut Retention Force Method</b>	MIL-C-39012C-3.25, 4.6.22

## Dimensions

<b>Nominal Size</b>	1/2 in
<b>Diameter</b>	25.40 mm   1.00 in
<b>Length</b>	66.04 mm   2.60 in
<b>Weight</b>	108.86 g   0.24 lb

# L4PNM-H

---

## Standard Conditions

**Attenuation, Ambient Temperature** 20 °C | 68 °F  
**Average Power, Ambient Temperature** 40 °C | 104 °F

## Return Loss/VSWR

Frequency Band	VSWR	Return Loss (dB)
3.5–4.4 GHz	1.15	23.00
45–920 MHz	1.04	35.00
920–2700 MHz	1.06	31.00
2700–3500 MHz	1.11	26.00
4400–5300 MHz	1.2	21.00
5300–6200 MHz	1.22	20.00
6200–8800 MHz	1.29	18.00

## Regulatory Compliance/Certifications

Agency	Classification
ISO 9001:2015	Designed, manufactured and/or distributed under this quality management system



## \* Footnotes

**Insertion Loss, typical** 0.05vfreq (GHz) (not applicable for elliptical waveguide)