

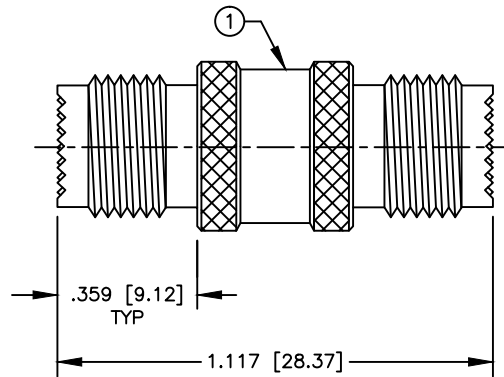
SPECIFICATION CONTROL DRAWING

THIS DRAWING CONTAINS INFORMATION PROPRIETARY TO RF INDUSTRIES, LTD. ANY UNAUTHORIZED USE OF THIS DRAWING IS EXPRESSLY PROHIBITED. ANY VIOLATION IS PUNISHABLE UNDER U.S. COPYRIGHT LAWS.

REV	DESCRIPTION	DWN	DATE	APPROVED
E	CREATE BODY SECTION DRAWING	KMM	2/21/96	R. RICE
F	CHG DIM ON DIE ITEM #3 / ADD DIMS TO CONTACT ITEM #2	CZS	3/4/98	R. RICE
G	CONTACT NOW PHOS BRONZE	CZS	9/9/99	R. RICE
H	CHANGE CONTACT MATERIAL	CZS	1/26/00	J. D. McR.

ALL DIMENSIONS ARE REFERENCE ONLY

000000



SPECIFICATIONS:

IMPEDANCE: 50 OHMS
 WORKING VOLTAGE: 335 VRMS @ SEA LEVEL
 FREQUENCY RANGE: 0-2.5 GHz

DIMENSIONS ARE IN INCHES AND [MILLIMETERS]

UNLESS OTHERWISE NOTED TOLERANCES ARE:
 DECIMALS DIAMETER



7610 MIRAMAR RD
 SAN DIEGO, CA 92126
 (858) 549-6340
 (858) 549-6345 FAX

RFU-629

MINI UHF FEMALE TO MINI UHF FEMALE BARREL ADAPTER

ITEM	DESCRIPTION	QTY	MATERIAL	FINISH
4	PRESS FIT WASHER	1	BRASS	NICKEL
3	DIELECTRIC	2	PTFE	NONE
2	CONTACT	1	BRASS	GOLD
1	BODY	1	BRASS	NICKEL

DRAWN C. ZUNIGA	1/26/00
CHECKED	
ORJ DRAWN C. JONES	1/23/92
APPROVALS	DATE

SIZE A	CABLE GROUP N/A	DWG NO. 8075	REV H
SCALE: 2:1		CAD FILE 13ARC B	SHEET 1 OF 1