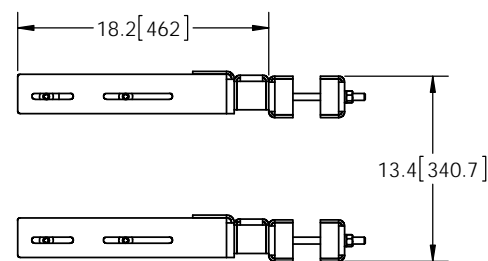
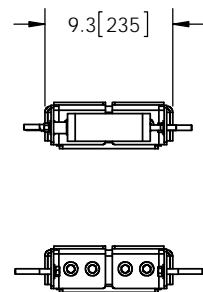
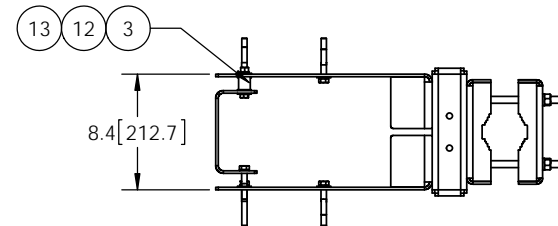
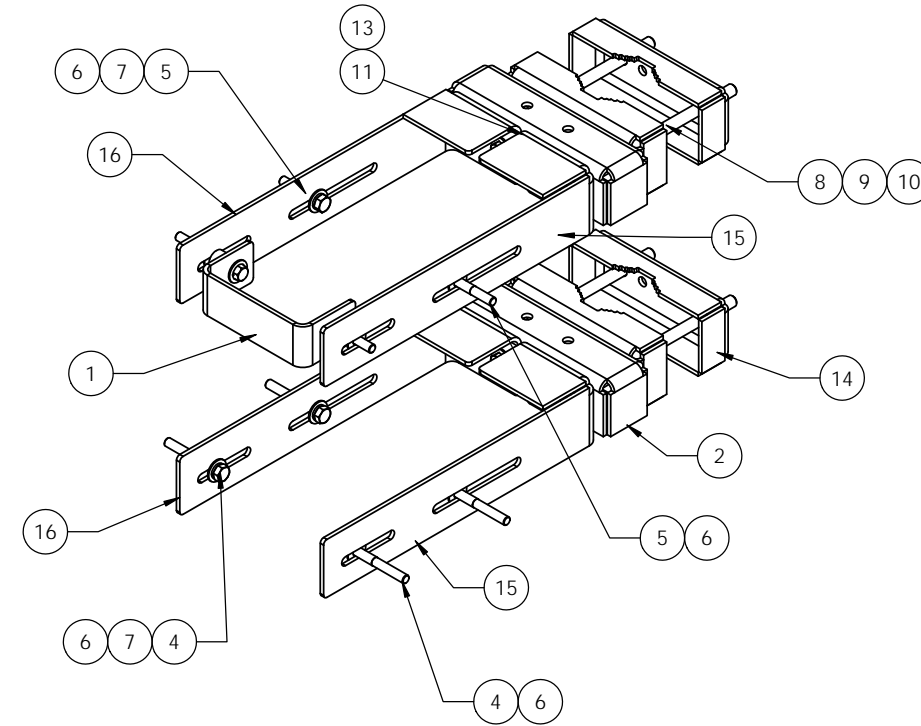




NOTES:

1. ALL METRIC DIMENSIONS ARE IN BRACKETS.
2. FITS 2-3/8" - 3-1/2" OD PIPE.
3. INSTALL WHEN USING SINGLE RRU/A2 SET-UP.

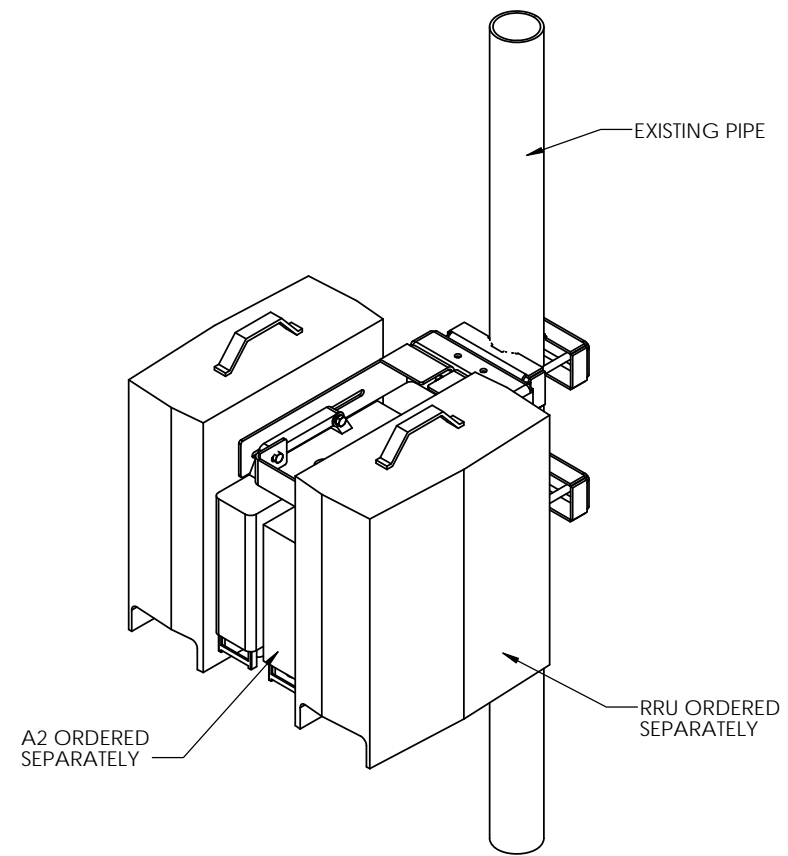
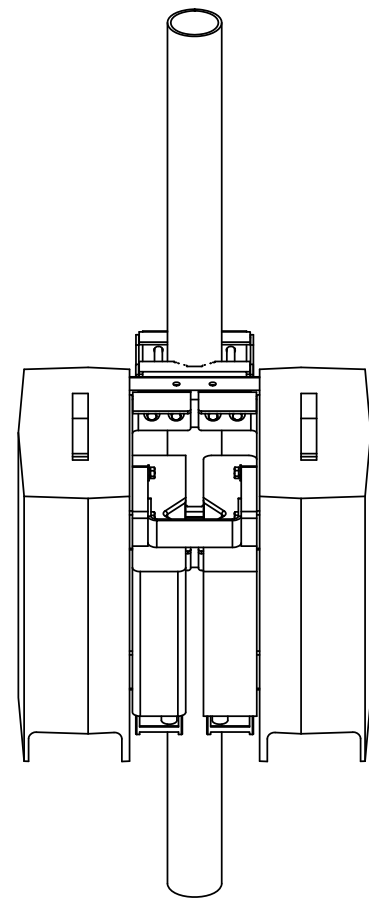
ITEM	PART NO.	DESCRIPTION	QTY.	WEIGHT	NOTE NO.
1	MTC332641	FRONT RRU BRACE	1	1.15 LBS	
2	MTC332643	TRANSITION BRACKET	2	3.59 LBS	
3	MTC332613	SPACER FOR 3/8" BOLT	1	0.08 LBS	3
4	MTC332647	M-10 X 75mm Hex Bolt SS	4	0.12 LBS	
5	MTC332648	M-10 X 55mm Hex Bolt SS	4	0.10 LBS	
6	SWL-03	3/8" SS LOCK WASHER	8	0.01 LBS	
7	SWF-03	3/8" SS FLAT WASHER	8	0.01 LBS	
8	MT-379-8	1/2" X 8" GALV THREADED ROD	4	0.44 LBS	
9	GWL-04	1/2" GALV LOCK WASHER	8	0.01 LBS	
10	GN-04	1/2" GALV HEX NUT	12	0.04 LBS	
11	GB-03125	3/8" X 1-1/4" GALV BOLT KIT	8	0.06 LBS	
12	GB-03225	3/8" X 2-1/4" GALV BOLT KIT	1	0.09 LBS	3
13	GWF-03	3/8" GALV FLAT WASHER	10	0.01 LBS	3
14	MTC332646	PIPE CLAMP	4	2.44 LBS	
15	MTC332654	RIGHT RRU BRACKET	2	3.22 LBS	
16	MTC332653	LEFT RRU BRACKET	2	3.22 LBS	



COMMScope, INC. OF NORTH CAROLINA			
TITLE			
<b>REMOTE RADIO BACK-TO-BACK ACCESS READY</b>			
SIZE	SCALE	DOCUMENT NO.	
<b>C</b>	<b>1:9</b>	<b>RR-B2B-AR</b>	
DRAWING			SHEET
VERSION	STATUS	REVISION	2 OF 4
		C	

NOTES:

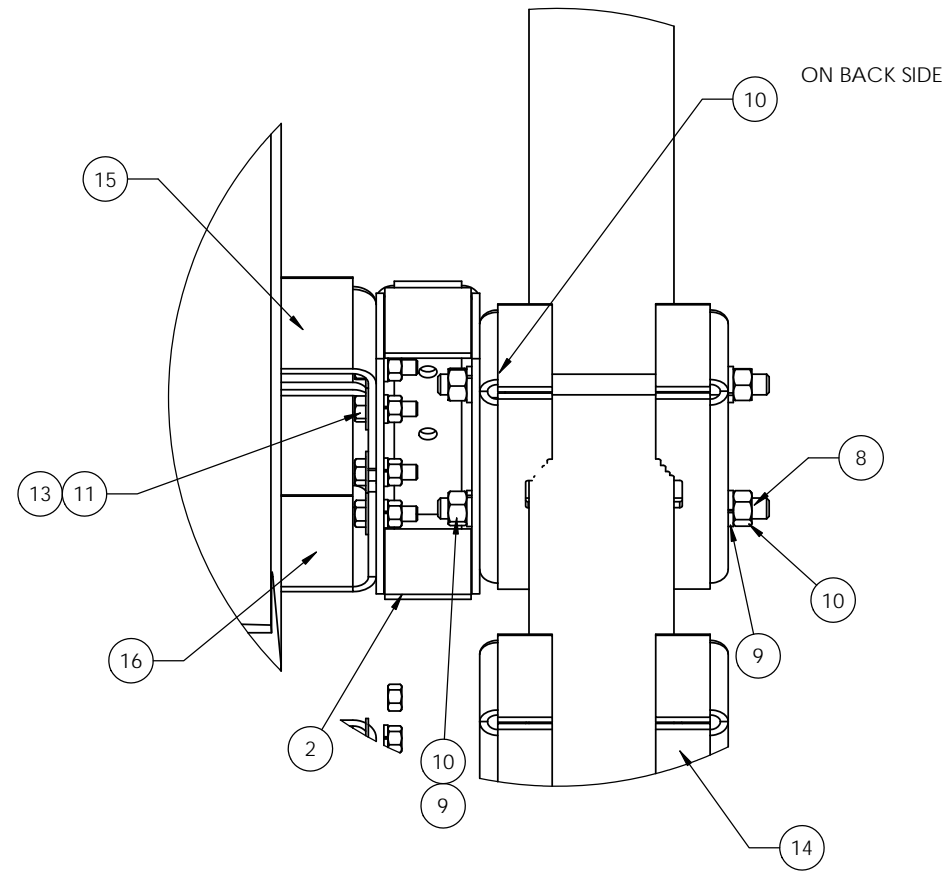
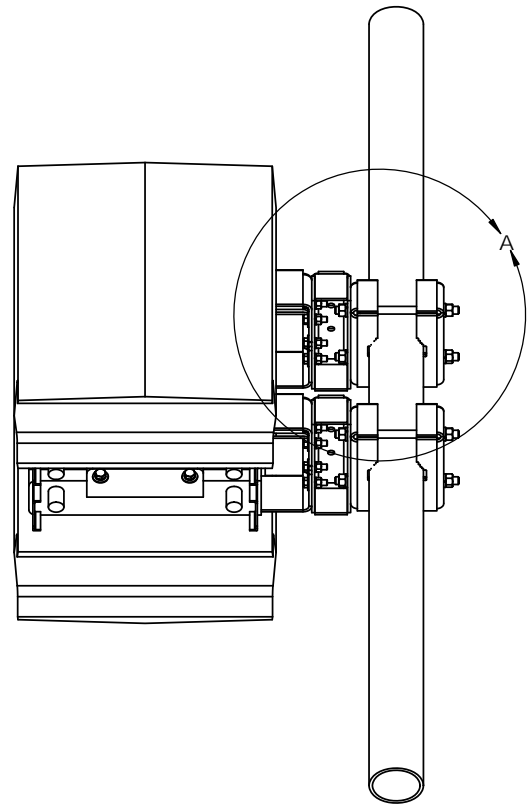
# IN-USE VIEWS



COMMSCOPE, INC. OF NORTH CAROLINA			
TITLE			
<b>REMOTE RADIO BACK-TO-BACK ACCESS READY</b>			
SIZE	SCALE	DOCUMENT NO.	
<b>C</b>	<b>1:8</b>	<b>RR-B2B-AR</b>	
DRAWING			SHEET
VERSION	STATUS	REVISION	3 OF 4
		C	



NOTES:



DETAIL A  
SCALE 1 : 3

COMMScope, INC. OF NORTH CAROLINA

TITLE

**REMOTE RADIO BACK-TO-BACK ACCESS READY**

SIZE  
**C**

SCALE  
**1:8**

DOCUMENT NO.  
**RR-B2B-AR**



DRAWING

VERSION

STATUS

REVISION  
C

SHEET  
4 OF 4