

PM-SU4-B

Universal Sliding Pipe Mount Base Kit for 4-1/2 in OD pipe



Product Classification

Product Type Pipe mount

Dimensions

Mounting Diameter, maximum	203.2 mm 8 in
Mounting Diameter, minimum	0.0 mm 0 in
Pipe Outer Diameter	114.3 mm 4 1/2 in
Height	127.0 mm 5.0 in
Length	304.8 mm 12.0 in
Weight	36.8 kg 81.1 lb
Width	304.8 mm 12.0 in

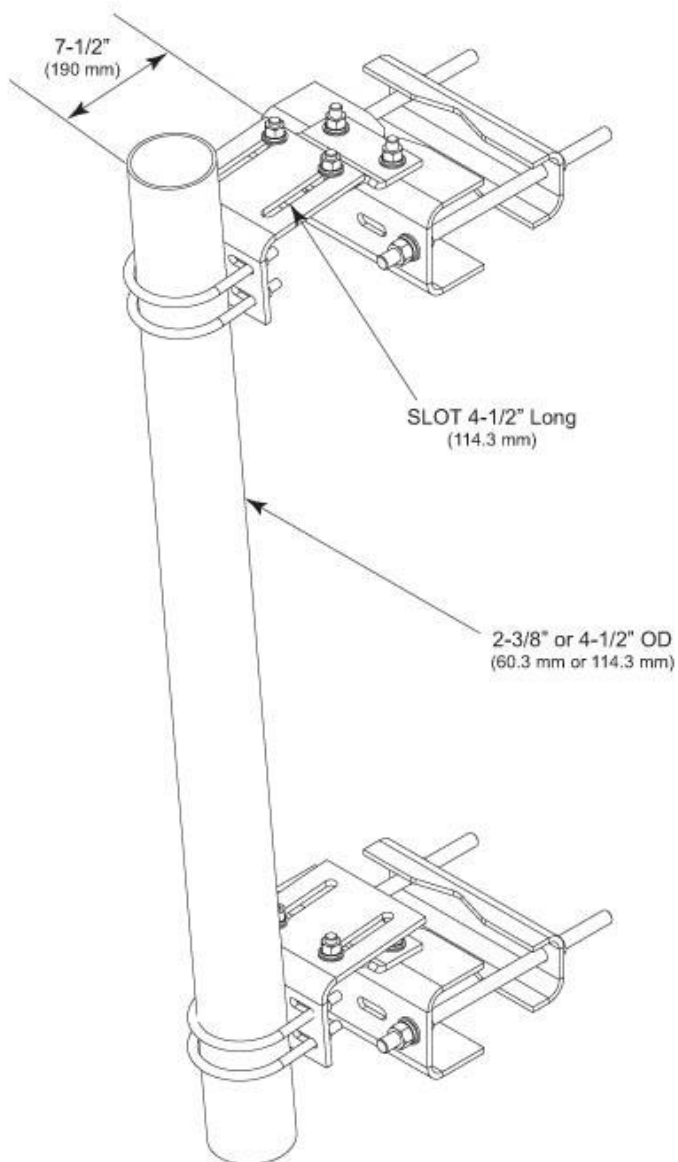
Environmental Specifications

Wind Rating	120 mph (BWS) at 150 ft AGL
Wind Rating Test Method	TIA/EIA-222

General Specifications

Pipe, quantity	0
Tower Taper	Tapered
Includes	Sliding pipe mount brackets Universal saddle mount
Material Type	Hot dip galvanized steel
Mounting	Angle 60°, 203.2 mm (8 in) Angle 90°, 152.4 mm (6 in) Straight or tapered legs up to 203.2 mm (8 in) OD
Note	One 96 in x 8 in panel antenna per sector
Package Quantity	2

Outline Drawing



Regulatory Compliance/Certifications

Agency	Classification
--------	----------------

PM-SU4-B

ISO 9001:2015 Designed, manufactured and/or distributed under this quality management system



Included Products

PM-SL4 — Universal Taper Pipe Mount Slider Bracket for 4-1/2 in OD pipe

SM-U2080 — Universal Saddle Mount for straight or tapered legs up to 8 in OD, 8 in angle 60°, or 6 in angle 90°

* Footnotes

Wind Rating BWS—Base Wind Speed; FBC—Florida Building Code