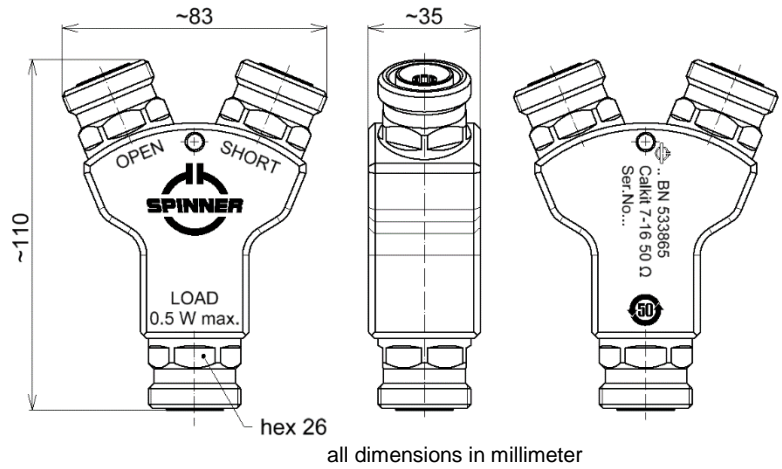


OSL Compact Calibration Kit (3-in-1) || BN 533865R000



**Radio frequency characteristics**

Interface type		7-16 socket per IEC 61169-4
Frequency range		DC to 6 GHz
OPEN	Phase deviation, max.	1.5 deg. @ DC to 6 GHz
SHORT	Phase deviation, max.	1.0 deg. @ DC to 6 GHz
LOAD	DC-resistance	50 Ω ± 0.5 Ω
	Return loss, min.	40 dB @ DC to 6 GHz
	Power rating, max.	0.5 W

**Calibration data**

Format		Agilent / Anritsu	Rohde & Schwarz
OPEN	C0	$-8.724 \times 10^{-15} \text{ F}$	-8.724 fF
	C1	$2721 \times 10^{-27} \text{ F/Hz}$	2.721 fF/GHz
	C2	$-479.2 \times 10^{-36} \text{ F/Hz}^2$	-0.4792 fF/(GHz) <sup>2</sup>
	C3	$67 \times 10^{-45} \text{ F/Hz}^3$	0.067 fF/(GHz) <sup>3</sup>
	Offset	89.195 ps	26.74 mm
SHORT	L0	$13.22 \times 10^{-12} \text{ H}$	13.22 pH
	L1	$-4292 \times 10^{-24} \text{ H/Hz}$	-4.292 pH/GHz
	L2	$337 \times 10^{-33} \text{ H/Hz}^2$	0.337 pH/(GHz) <sup>2</sup>
	L3	$8.35 \times 10^{-42} \text{ H/Hz}^3$	0.00835 pH/(GHz) <sup>3</sup>
	Offset	88.761 ps	26.61 mm
Offset loss		0.5 GΩ/s	

OSL Compact Calibration Kit (3-in-1) || BN 533865R000

**Mechanical characteristics**

Center conductor material / surface finish	CuBe age hardened, copper alloy / gold-plated
Outer conductor material / surface finish	copper alloy / gold-plated
Insulation	cross linked polystyrene
Other metallic parts / surface finish	aluminium / anodised (blue)
Weight, approx.	0.55 kg
Marking	laser engraving

Component Name	Toxic or Hazardous Substances and Elements					
	Pb	Hg	Cd	Cr 6+	PBB	PBDE
Metal parts	X	O	O	O	O	O

The environmental protection use period of 50 years is valid, if the product is used as intended.

**Environmental conditions**

<b>Operation</b>	
Ambient temperature range	-10 to +55°C
<b>Storage</b>	
Ambient temperature range	-40 to +70°C (in line with EN 60068-2-1 and EN 60068-2-2)

**Scope of delivery and accessories**

Scope of delivery	protective caps, handling instructions
-------------------	--