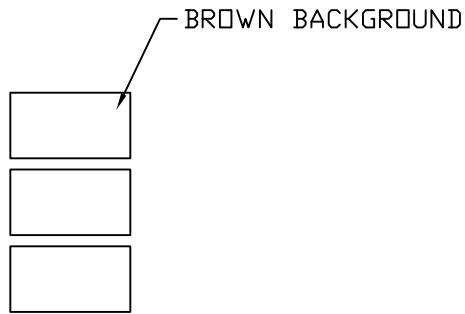
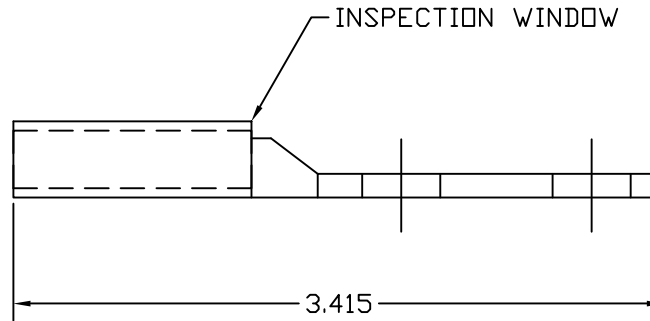
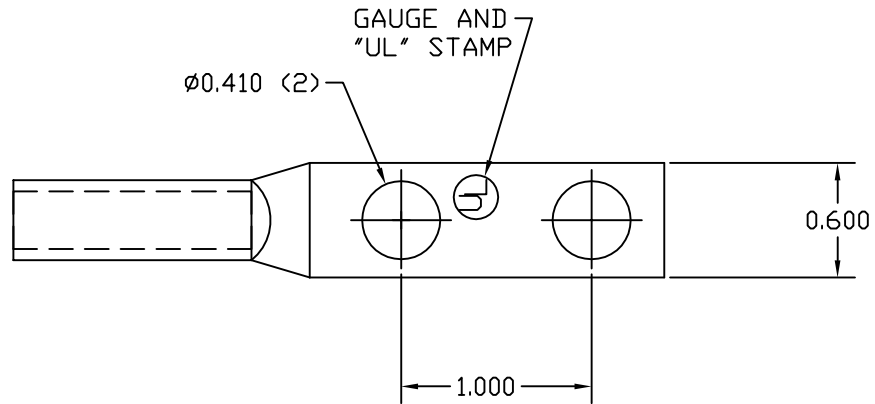


BARREL LABEL, TOP HALF



BARREL LABEL, BOTTOM HALF



LONG BARREL LUG

EST. WEIGHT 0.06 LBS

APPROVED

AS DRAWN: \_\_\_\_\_  
 AS NOTED: \_\_\_\_\_  
 DATE: \_\_\_\_\_

THIS DOCUMENT AND THE CONTENTS THEREOF IS THE PROPERTY OF HARGER INC., AND IS FURNISHED TO YOU FOR INFORMATION ONLY. THE INFORMATION CONTAINED HEREIN IS CONFIDENTIAL AND OF A PROPRIETARY NATURE AND MUST NOT BE DISCLOSED TO THIRD PARTIES WITHOUT THE EXPRESS WRITTEN APPROVAL OF HARGER INC.

-	-	-	-
-	-	-	-
-	-	-	-
-	-	-	-
B	HOLE TOL WAS .02	100903	WSM
A	WAS 0.535	092602	LAL
LET	REVISION	DATE	BY
TOLERANCES UNLESS NOTED:		3RD ANGLE PROJECTION	
FRACTIONAL	+/- 1/64		
.00	+/- .010		
.000	+/- .005		

**PART NO. GECLB22C**  
 2 2-HOLE LONG BARREL LUG

DRAWN BY: LAL  
 CHECKED BY: -  
 DATE: 091002



301 ZIEGLER DRIVE  
 GRAYSLAKE, IL 60030  
 (847) 548-8700

REVISION: B  
 SCALE: FULL  
 SHEET: 1 OF 1