

Installation Instructions

PSHS-XXXX-10 – PIM Shield Hybrid Snap-In,
Qty 10

STEP 1

Insert Hybrid Snap-In onto cable.

STEP 2

Press Hybrid Snap-In into hole.

STEP 3

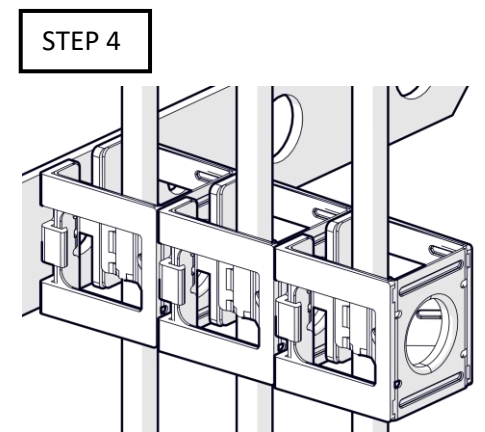
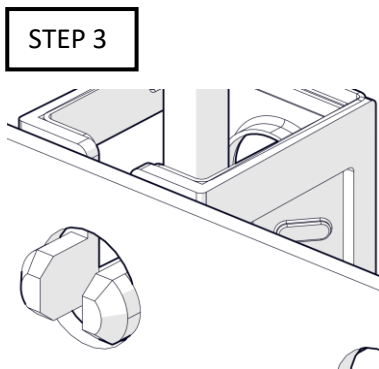
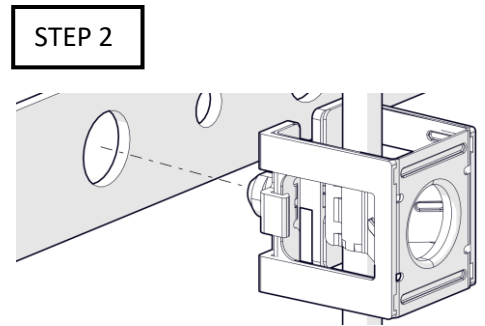
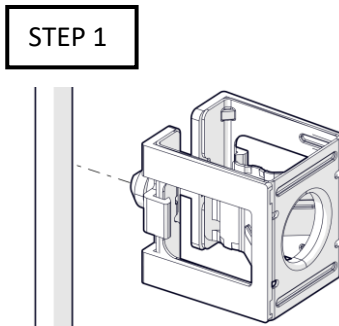
Assure the correct hooking of the tabs.

STEP 4

Add further Hybrid Snap-In clamps (3 max).

NOTE:

Support bracket must be low PIM for the system to be low PIM.



Installation Instructions

PSHS-XXXX-10 – PIM Shield Hybrid Snap-In,
Qty 10

STEP 1

Insert Hybrid Snap-In onto cable.

STEP 2

Press Hybrid Snap-In into hole.

STEP 3

Assure the correct hooking of the tabs.

STEP 4

Add further Hybrid Snap-In clamps (3 max).

NOTE:

Support bracket must be low PIM for the system to be low PIM.

